



FEATURES

- ▼ Corrosion resistant enclosures in heavy wall cast bronze
- ▼ Quick break interior assures quick interruption of supply
- ▼ External control handle has provision for padlocking
- ▼ Two pole breaker units are rated for 480v AC or 250v DC while the three pole units are rated for 480v AC only
- ▼ Available in 15 Amp, 20 Amp, 30 Amp, 40 Amp, 50 Amp, 60 Amp and 100 Amp rated units
- ▼ 2P3W or 3P3W units available

APPROVALS

- ▼ U.S.C.G
- ▼ ABS
- ▼ Type 4X

APPLICATIONS

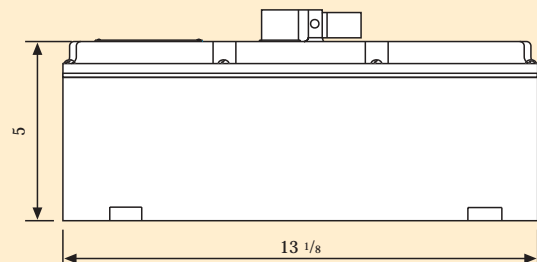
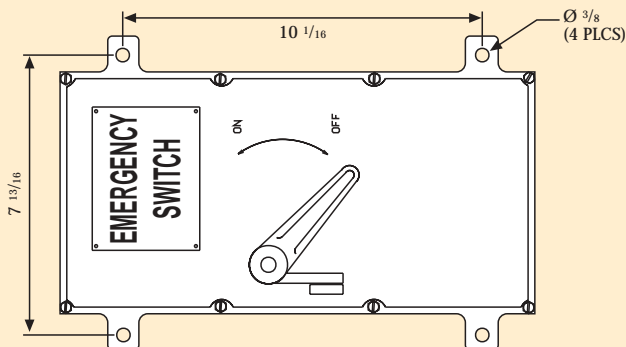
- ▼ Marine and wet environments
- ▼ Offshore oil and gas platforms
- ▼ Drill ships and exploration vessels
- ▼ Tankers
- ▼ Ferries / Passenger Ships

OPTIONS

To obtain an enclosure only without the breaker interior, delete the entire suffix* from the appropriate breaker part number as shown in the example below;

- | | |
|-----------------------|------------|
| ▼ 2P3W 15 Amp Breaker | 2482B-215* |
| Enclosure Only | 2482B |

DIMENSIONS



Dimensions in inches



TECHNICAL SPECIFICATION

ENCLOSURES

Cast bronze as standard in natural casting finish.

HARDWARE

Stainless steel for all types.

OUTLETS

All units are furnished blank but can be supplied with one hole in each end up to a maximum of 1 1/2" NPT or with two holes in each end up to a maximum of 1 1/4" NPT. Please state requirements on application.

SWITCHES

2P3W or 3P3W units are available.

VOLTAGE OPERATION

BREAKERS

Two pole breakers are all rated for operation on 480v AC or 250v DC while the three pole breakers are for operation on 480v AC only. Units are available in 15 Amp, 20 Amp, 30 Amp, 40 Amp, 50 Amp, 60 Amp and 100 Amp.

MOUNTING

Surface mounted via four 3/8" Ø mounting holes.

ORDERING REFERENCES

EMERGENCY WATERTIGHT DISCONNECT BREAKERS

DESCRIPTION	BRONZE WEIGHT	2P3W BRONZE TYPE (B)	3P3W BRONZE TYPE (B)
15 Amp Breaker	30 1/2lbs	2482B-215	2482B-315
20 Amp Breaker	30 1/2lbs	2482B-220	2482B-320
30 Amp Breaker	30 1/2lbs	2482B-230	2482B-330
40 Amp Breaker	30 1/2lbs	2482B-240	2482B-340
50 Amp Breaker	30 1/2lbs	2482B-250	2482B-350
60 Amp Breaker	30 1/2lbs	2482B-260	2482B-360
100 Amp Breaker	30 1/2lbs	2482B-2100	2482B-3100

*To order enclosures only see options section opposite page.

SPARE PARTS

COVER WITH HANDLE INX6575B	BOX INX6041B
GASKET GKT5005	HANDLE ASSEMBLY INX8018B
2P3W BREAKER INTERIORS	3P3W BREAKER INTERIORS
15 Amp INX3086	15 Amp INX3093
20 Amp INX3087	20 Amp INX3094
30 Amp INX3088	30 Amp INX3095
40 Amp INX3089	40 Amp INX3096
50 Amp INX3090	50 Amp INX3097
60 Amp INX3091	60 Amp INX3098
100 Amp INX3092	100 Amp INX3099

