



## FEATURES

- ▼ Housing available in:
  - FAS - Copper-free marine-grade aluminum
  - FPS - Fiber glass reinforced polyester
  - FSS - Stainless steel with a natural finish
- ▼ External stainless steel hardware for maximum corrosion resistance.
- ▼ Stainless steel cable lens retainers for maximum durability and hands free lamp replacement.
- ▼ Stainless steel over the center cam latches and a one piece neoprene gasket for a watertight seal.
- ▼ Spring style mounting feet and custom manufactured spring loaded lampholders provide maximum resistance to shock and vibration.
- ▼ Watertight.
- ▼ Outside Type option:
  - Allows outside type salt water applications.
  - Low temperature (0° F) ballast for reliable starting in cold weather.
  - Two nonmetallic cable glands provided as standard.
- ▼ Mil-spec alternative option:
  - 10 feet of low smoke cable provided.
  - Mounting footprint matches symbol 77.4 (1 and 2 lamp) and symbol 333.1 (3 lamp).
- ▼ 5 year warranty.

## APPROVALS

- ▼ UL 1598A - Marine Inside Drip Proof Type\*
- ▼ UL 1598A - Marine Outside Type Saltwater (WT option)\*
- ▼ UL 924 - Emergency Lighting Equipment\*
- ▼ IP 66
- ▼ ABS
- ▼ DNV

\* European wattages not UL listed.

## APPLICATIONS

- ▼ Marine and wet environments
- ▼ Offshore oil and gas platforms
- ▼ Drill ships and exploration vessels
- ▼ Tankers and cargo ships
- ▼ Drilling rigs

## OPTIONS

To obtain a fixture with any of the options listed below, please add the following suffix to the part number (not all options can be combined):

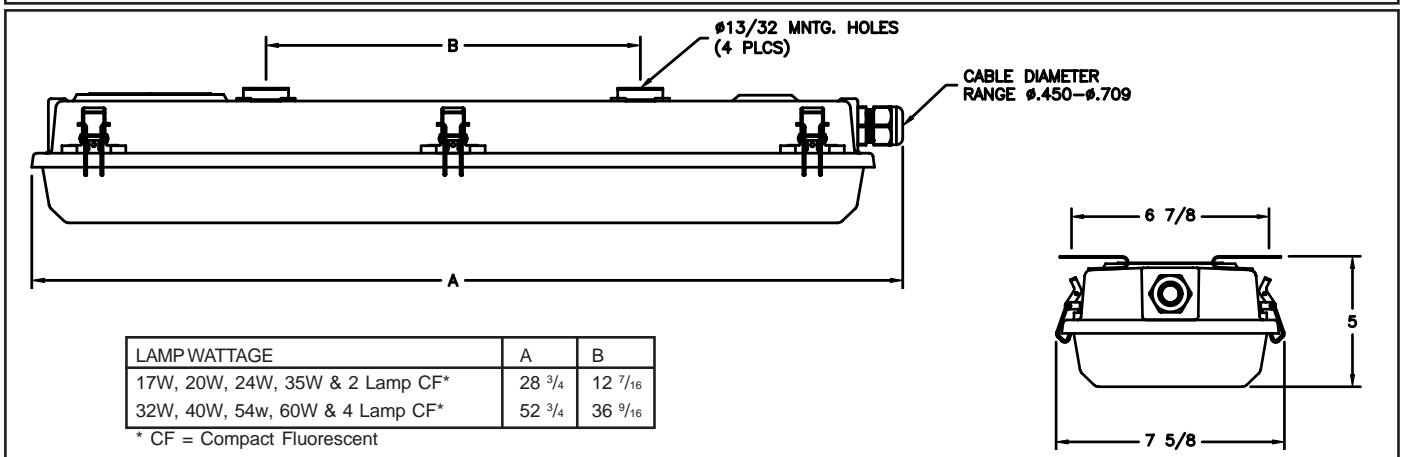
- ▼ Terminal Block T
- ▼ Access Plate with Terminal Block (FPS only) TWC
- ▼ Clear Polycarbonate Drop Lens XC
- ▼ Red Filter Tube (one) RV\*
- ▼ Corner Wall Mount Kit (all fixtures) FPSWMKIT
- ▼ Emergency Ballast (1 lamp) EM
- ▼ Emergency Ballast (2 lamps) EM2\*
- ▼ 220v 50Hz -225\*
- ▼ 220v 60Hz -226\*
- ▼ 277v 60Hz -276\*
- ▼ Outside Type WT\*\*
- ▼ Mil-Spec Alternative (120v AC 60Hz only) MIL\*\*\*

\* Not available in 24w, 35w, 54w or 60w.

\*\* Not all optional voltages are available in WT.

\*\*\* Available in 2 foot fluorescent lamps or 2 lamp compact fluorescent only. Not UL approved or First Article Tested.

## DIMENSIONS



Dimensions in inches

# MARINE, INSIDE, OUTSIDE AND CORROSIVE ENVIRONMENTS WEATHERPROOF FLUORESCENT & COMPACT FLUORESCENT FIXTURES



## TECHNICAL SPECIFICATION

### HOUSING

FAS - Copper-free marine-grade aluminum with an oven-cured polyester powder coated protective finish, FPS - Fiber glass reinforced polyester with a natural gray finish, FSS - Stainless steel with a natural finish.

### LATCHES

Over the center stainless steel cam latches. 2 foot fixtures have 3 latches on each side, 4 foot fixtures have 5 latches on each side.

### OUTLETS

All units are supplied with two slip holes to accommodate 3/4" NPT fittings, one end is plugged the other end has a nonmetallic cable gland. Mil-spec alternative provided with 10 ft low smoke cable in accordance with MIL-DTL-16377H(SH) & MIL-C-24643/3.

### REFLECTOR

White high gloss powder coated aluminum.

### MOUNTING

Four 13/32" mounting holes provided on stainless steel mounting legs. A wall mount kit is available for corner mounting as an option. Mil-spec alternative option consistent with symbols 77.4 (1 & 2 lamp) and 333.1 (3 lamp).

### LAMP HOLDERS

Custom manufactured spring loaded lampholders for double ended lamps provide a positive contact and resistance to shock and vibration.

### LAMP TYPE

Available in one, two, three and four lamp units (35 & 60w fixtures available in one and two lamp versions only). Compact fluorescent versions are available in two and four lamp 40w or 55w fixtures. Compact fluorescent are supplied with lamps, linear fluorescent are supplied without lamps.

### BALLAST

Supplied in 120v 60Hz HPF as standard. Other options in 220v 50Hz, 220v 60Hz and 277v 60Hz also available.

### LENS

High impact matte DR acrylic lens. Optional clear polycarbonate also available.

### GASKETS

One continuous piece extruded neoprene gasket provides an effective seal between the lens and housing.

## ORDERING REFERENCES

FLUORESCENT & COMPACT FLUORESCENT FIXTURES								SPARE PARTS																				
DESCRIPTION	NO OF LAMPS	LAMP TYPE	FAS	WEIGHT (lbs)	FPS	WEIGHT (lbs)	FSS	WEIGHT (lbs)	BALLASTS																			
17 w 265 MA 24" Lamp	One Two Three	F17T8	FAS117	8.2	FPS117	8.8	FSS117	12.1	1 x 17w FX5173	2 x 17w FX5260	1 x 20w FX5009	2 x 20w FX5001	1 x 24w FX5307	2 x 24w FX5307	1 x 32w FX5173H	2 x 32w FX5260H	1 x 35w FX5100	2 x 35w FX5027	1 x 40w FX5011	2 x 40w FX5004	1 x 54w FX5305	2 x 54w FX5305	1 x 60w FX5027	2 x 60w FX5027	2 x 40w CF FX5272	2 x 40w CF FX5277		
20w Trigger Star 24" Lamp	One Two Three	F20T12	FAS120	9.3	FPS120	9.8	FSS117	13.1	17, 20, 32 & 40w 1 lamp FX5135U		35 & 60w 1 lamp FX5085	(120v only)	17, 20, 32 & 40w 2 lamp FX5135U		24w & 54w FX5311	(120 or 277v only)												
*24w High Output	One Two Three	F24T5/ HO	FAS124	8.2	FPS124	8.8	FSS124	12.1	LATCHES																			
			FAS224	8.5	FPS224	9.0	FSS224	12.3	All Fixtures (except FPS) FX8014																			
			FAS324	11.3	FPS324	11.8	FSS324	15.1	FPS FX8014A																			
32 w 265 MA 48" Lamp	One Two Three	F32T8	FAS132	15.9	FPS132	16.7	FSS132	22.9	LENS GASKETS																			
			FAS232	16.2	FPS232	17.0	FSS232	23.2	17, 20, 24 & 35w GKT6106-69																			
			FAS332	19.0	FPS332	19.8	FSS332	26.0	32, 40, 54 & 60w GKT6106-117																			
35w High Output 800 MA 24" Lamp	One Two Three	F24T12	FAS135	13.8	FPS135	14.4	FSS135	17.7	LAMP HOLDERS																			
			FAS235	14.1	FPS235	14.6	FSS235	17.9	17, 20, 24, 32, 40 & 54w Stationary FX4008																			
			N/A		N/A		N/A		17, 20, 24, 32, 40 & 54w Spring FX4009																			
40 w 430 MA 48" Lamp	One Two Three	F40T12	FAS140	17.0	FPS140	17.8	FSS140	24.0	Set (one of each) FX4008SET																			
			FAS240	17.2	FPS240	18.0	FSS240	24.2	35 & 60w Stationary FX4004																			
			FAS340	21.0	FPS340	21.8	FSS340	28.0	35 & 60w Spring FX4005																			
*54w High Output	One Two Three	F54T5/ HO	FAS154	15.9	FPS154	16.7	FSS154	22.9	Set (one of each) FX4004SET																			
			FAS254	16.2	FPS254	17.0	FSS254	23.2	Compact Fluorescent FX4043																			
			FAS354	19.0	FPS354	19.8	FSS354	26.0	HIGH IMPACT ACRYLIC LENS (with Gasket)																			
60w High Output 800 MA 48" Lamp	One Two Three	F48T12	FAS160	21.5	FPS160	22.3	FPS160	28.5	17, 20, 24, 35w & 2 Lamp CF FX2176																			
			FAS260	21.8	FPS260	22.6	FPS260	28.8	32, 40, 54, 60w & 4 Lamp CF FX2178																			
			N/A		N/A		N/A		POLYCARBONATE LENS (with Gasket)																			
40w Compact Fluorescent	Two Four	F40W /2G11	FASC240	9.5	FPSC240	10.1	FSSC240	13.4	17, 20, 24, 35w & 2 Lamp CF FX2163																			
			FASC440	20.8	FPSC440	21.6	FSSC440	27.8	32, 40, 54, 60w & 4 Lamp CF FX2165																			
55w Compact Fluorescent	Two Four	F55W /2G11	FASC255	9.5	FPSC255	10.1	FSSC255	13.4	CABLE GLAND (All Fixtures)																			
			FASC455	20.8	FPSC455	21.6	FSSC455	27.8	3/4" NPT non metallic CX1517																			
<b>European Wattages - Not UL listed.</b>								CORNER WALL MOUNT KIT																				
18 w 265 MA 24" Lamp	One Two Three	F18T8	FAS118	8.2	FPS118	8.8	FSS118	12.1	(All Fixtures) FPSWMMKIT																			
			FAS218	8.5	FPS218	9.0	FSS218	12.3																				
			FAS318	11.3	FPS318	11.8	FSS318	15.1																				
36 w 430 MA 84" Lamp	One Two Three	F36T12	FAS136	17.0	FPS136	17.8	FSS136	24.0																				
			FAS236	17.2	FPS236	18.0	FSS236	24.2																				
			FAS336	21.0	FPS336	21.8	FSS336	28.0																				

\* Approvals pending.

