



## FEATURES

- ▼ Corrosion resistant non metallic high impact housing.
- ▼ Wide range of lamp options in 17w, 20w, 24w, 32w, 35w, 40w, 54w, 60w, 75w and 110w fluorescent.
- ▼ Versatile mounting in chain suspension, wall mount or quick release mount.
- ▼ Rounded design minimizes build up of dirt, debris or water.
- ▼ Available in 120v 60Hz as standard with an extensive range of optional voltages in 220v 60Hz, 240v 60Hz, 277v 60Hz, 347v 60Hz, 220v 50Hz and 240v 50Hz.
- ▼ Optional stainless steel end caps.
- ▼ 5 year warranty.

## APPROVALS

- ▼ UL 1598 - Suitable for Wet Locations
- ▼ UL 1598A - Marine Outside Type Saltwater\*
- ▼ CSA - Emergency Lighting Equipment
- ▼ ABS
- ▼ Conforms to IP66

\* Must add option WM or QR.

## APPLICATIONS

- ▼ Food and Beverage Processing Industry
- ▼ Pharmaceutical Industry
- ▼ High Pressure hose down areas
- ▼ Indoor or outdoor use
- ▼ Sterile and clean environments
- ▼ Food processing and preparation areas

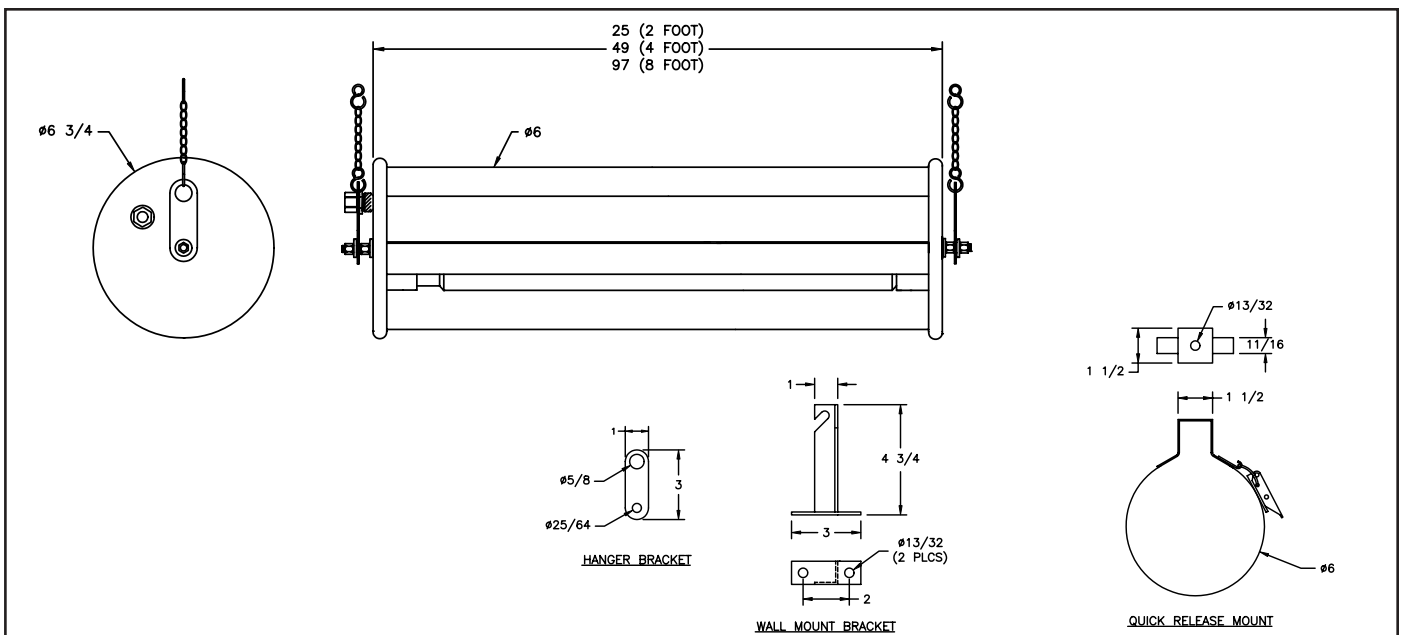
## OPTIONS

To obtain a fixture with any of the options listed below, please add the following suffix to the part number (not all options can be combined):

- |                              |      |
|------------------------------|------|
| ▼ Emergency Ballast          | EM*  |
| ▼ Emergency Ballast (2 lamp) | EM2* |
| ▼ Individual Fused           | IF   |
| ▼ Wall Mount                 | WM   |
| ▼ Quick Release Mount        | QR   |
| ▼ Stainless Steel End Caps   | SS   |
| ▼ Male Disconnect Receptacle | D    |

\* CSA Only

## DIMENSIONS



Dimensions in inches



# MARINE, OUTSIDE AND CORROSIVE ENVIRONMENTS HIGH PRESSURE HOSE DOWN FLUORESCENT

## TECHNICAL SPECIFICATION

### HOUSING AND END CAPS

Polycarbonate molded end caps with a high impact clear acrylic outer tube.

### REFLECTORS

Aluminum with a white high gloss coated finish.

### OUTLETS

Supplied with a 1/2" cord grip for 1/4" - 7/16" diameter cable as standard.

### MOUNTING

Supplied with corrosion resistant stainless steel chain mount and hardware as standard. See options for wall mount or quick release mounts.

### GASKETS

One continuous molded piece gasket provides an effective seal between the lens and end caps.

### BALLAST

Supplied in 120v 60Hz as standard. Wide range of additional voltage options in 220v 60Hz, 240v 60Hz or 277v 60Hz, 220v 50Hz, 240v 50Hz also available.

### LAMP TYPE

All fixtures are supplied without lamps and are available in 17w, 20w, 24w, 32w, 35w, 40w, 54w, 60w, 75w and 110w in 2 lamp versions. The 17, 20, \*24, 32, 35, 40, \*54 & 60w fixtures are available in 4 lamp versions with the lamps mounted end to end.

\* Approvals pending.

## ORDERING REFERENCES

### FLUORESCENT FIXTURES

#### WORKED ORDERING EXAMPLE

17w 2 foot 2 lamp Food Processing Fluorescent  
Wall Mounted, 120v AC 60 Hz Fixture

1.	2.	3.	4.	5.	6.
FF	2	17	2	WM	

1. MODEL TYPE	3. LAMP TYPE	4. FIXTURE LENGTH	6. VOLTAGE
FF Fluorescent Food Processing Fixture	17 17w T-8 20 20w T-12 *24 24w T-5 High Output	2 2 Foot Fixture 4 4 Foot Fixture 8 8 Foot Fixture	Blank 120v AC 60Hz (standard) -226 220v AC 60Hz -246 240v AC 60Hz -276 277v AC 60Hz -225 220v AC 50Hz -245 240v AC 50Hz -346 347v AC 60Hz
2. NUMBER OF LAMPS	32 32w T-8 35 35w T-12 High Output 40 40w T-12 *54 54w T-5 High Output 60 60w T-12 High Output 75 75w T-12 Slimline 110 110w T-12 High Output * Approvals pending.	5. OPTIONS	Note: Not all lamp types available for all voltage options.
2 2-4' or 8' Fixtures 3 24 or 54w only 4 4-8' Fixtures		*EM Emergency Ballast *EM2 Emergency Ballast (2 lamp) IF Individual Fused **WM Wall Mount **QR Quick Release Mount SS Stainless Steel End Cap D Male Disconnect Receptacle	
		*CSA approval only. **Must add WM or QR for UL1598A rating.	

## SPARE PARTS

BALLASTS	LAMPS	END CAP
2 x 17w FX5260	17w T-8 FX3528	End Cap Gasket GKT1161
2 x 20w FX5032	20w T-12 FX3506	End Stud Gasket GKT1162
2 x 24w FX5307	24w T-5 High Output FX3568	End Cap Set FX6091SET
2 x 32w FX5142	32w T-8 FX3527	SS End Cap Set FX6841SET
2 x 35w FX5027	35w T-12 High Output FX3507	
2 x 40w FX5010	40w T-12 FX3504	ACRYLIC TUBES
2 x 54w FX5305	54w T-5 High Output FX3567	2 foot FX2198-2
2 x 60w FX5027	60w T-12 High Output FX3505	4 foot FX2198-4
2 x 75w FX5062	75w T-12 Slimline FX3523	8 foot FX2198-8
2 x 110w FX5185	110w T-12 High Output FX3550	
	LAMP HOLDERS	
	17, 20, 32 & 40w FX4059	
	24 & 54w FX4029	
	35, 60 & 110w FX4004SET	
	75w FX4017SET	

