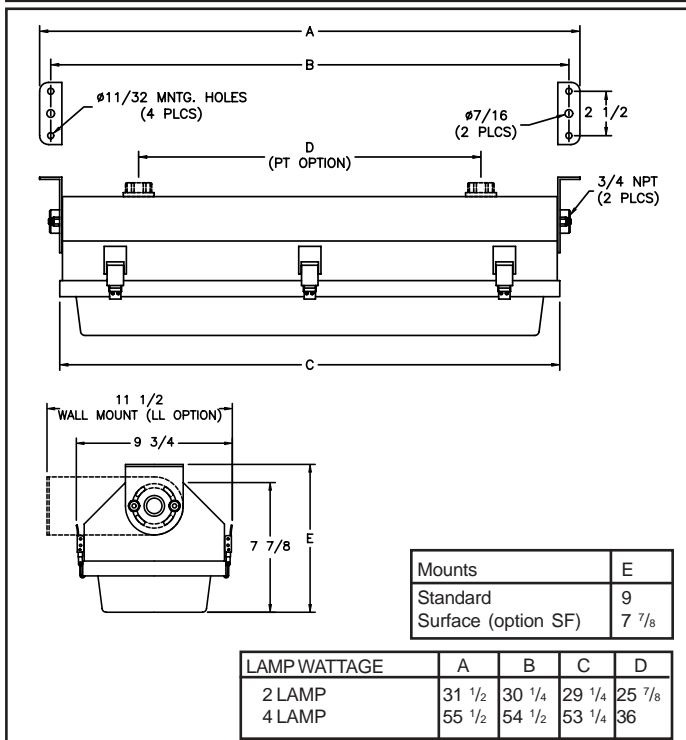




## FEATURES

- ▼ Positive-locking spring loaded stainless steel latches and a one piece neoprene gasket provide a tight weather resistant seal.
- ▼ Spring loaded lampholders for maximum vibration resistance.
- ▼ Available in two and four lamp units.
- ▼ Supplied in 120v 60Hz HPF as standard. Other options in 220v 50Hz, 220v 60Hz and 277v 60Hz also available.
- ▼ Versions available in 40w and 55w compact fluorescent.
- ▼ Adjustable mounting brackets allow a 110° range of mounting positions.
- ▼ Low temperature operating ballast.
- ▼ Emergency versions available (CSA only).
- ▼ 5 year warranty.

## DIMENSIONS



Dimensions in inches

## APPROVALS

- ▼ UL 844 - Hazardous Location  
Class I Division 2 Groups A, B, C and D  
Class I Zone 2 Groups IIA, IIB, IIB+ H2 and IIC
- ▼ UL 1598A - Marine Outside Type Saltwater
- ▼ CSA  
Class I Division 2, Groups A, B, C and D  
Class II Division I, Groups E, F and G  
Class III
- ▼ IP 66
- ▼ Type 4X
- ▼ ABS

## APPLICATIONS

- ▼ Hazardous Locations
- ▼ Marine and wet environments
- ▼ Offshore oil and gas platforms
- ▼ Drill ships and exploration vessels
- ▼ Tankers and cargo ships
- ▼ Drilling rigs

## OPTIONS

To obtain a fixture with any of the options listed below, please add the following suffix to the part number (not all options can be combined):

- ▼ 316 Grade Stainless Steel Housing /316
- ▼ Terminal Block T
- ▼ Shock Mount SM
- ▼ Surface Mount SF
- ▼ Wall Mount LL
- ▼ Pendant Mount 3/4" NPT PT
- ▼ Polycarbonate drop lens X
- ▼ Emergency Ballast (1 lamp) EM\*
- ▼ Fused Ballast (not for marine use) F
- ▼ 220VAC 50Hz -225
- ▼ 220VAC 60Hz -226
- ▼ 277VAC 60Hz -276

\* CSA only.

# HAZARDOUS LOCATIONS CLASS I DIVISION 2 OUTSIDE TYPE SALTWATER MARINE STAINLESS STEEL AND ALUMINUM COMPACT FLUORESCENT FIXTURES WITH DROP LENS



## TECHNICAL SPECIFICATION

### HOUSINGS

Available in stainless steel with a natural finish and stainless steel mounting fittings or in copper-free marine-grade aluminum with an oven-cured polyester powder coated finish and aluminum mounting fittings with a natural finish. Ensure the suffix "A" appears in the ordering reference for aluminum fixtures and "S" for stainless steel, or "/316" for 316 grade stainless steel.

### LENS FRAME AND LATCHES

Stainless steel for all types.

### LENS

High impact resistant DR acrylic drop lens.

### REFLECTOR

White high gloss powder coated aluminum.

### OUTLETS

All units are supplied with two 3/4" NPT outlets, one plugged, providing a thru-feed service where required.

### MOUNTINGS

Through (4) 11/32" ø or (2) 7/16" ø mounting holes provided on the adjustable brackets.

### GASKETS

One continuous piece extruded neoprene gasket provides an effective seal between the lens and housing.

### BALLAST

A High Power Factor (HPF) 120v 60Hz ballast is supplied as standard, rated for starting in temperatures down to -18° C (0° F). Other options include 220v 60Hz, 220v 50Hz, 230v 50/60Hz and 277v 60Hz. Emergency versions are also available.

### LAMP TYPE

All fixtures supplied with lamps.

### AMBIENT & OPERATING TEMPERATURE

40w and 55w versions rated at 40°C ambient temperature. 40w two and four lamp versions temperature code T4A. 55w two and four lamp versions temperature code T3.

## ORDERING REFERENCES

COMPACT FLUORESCENT FIXTURES							SPARE PARTS					
DESCRIPTION	NO OF LAMPS	LAMP TYPE	FWC ALUM	WT (lbs) ALUM	FWC SS	WT (lbs) SS	BALLASTS 120V AC 60HZ		LAMPS			
40w	Two	F40BX	FWC240A	15.6	FWC240S	21.4	2 x 40w	FX5272	40w	FX3533		
	Four		FWC440A	24.2	FWC440S	35.0	2 x 55w	FX5276	55w	FX3547		
55w	Two	F55BX	FWC255A	15.6	FWC255S*	21.4	EMERGENCY BALLAST		LAMP HOLDERS			
	Four		FWC455A	24.2	FWC455S*	35.0	120-277v AC	FX5128HJU	FX4043			
							BEAM CLAMP KIT (Safety Cable & Cord Connector) FX7028		GASKETS			
							DROP LENS		29 1/4"	FX2136	29 1/4"	GKT6088-69.5
									53 1/4"	FX2137	53 1/4"	GKT6088-117.5
									MOUNTS			
									Wall		FX7031S/A	
									Standard		FX7027S/A	
									Surface		FX7022S/A	
									Pipe Mount Kit		FX7023	
									Chain Mount Kit		FX7025	
									Shock Mount		FX7004A	

\* CSA only.

