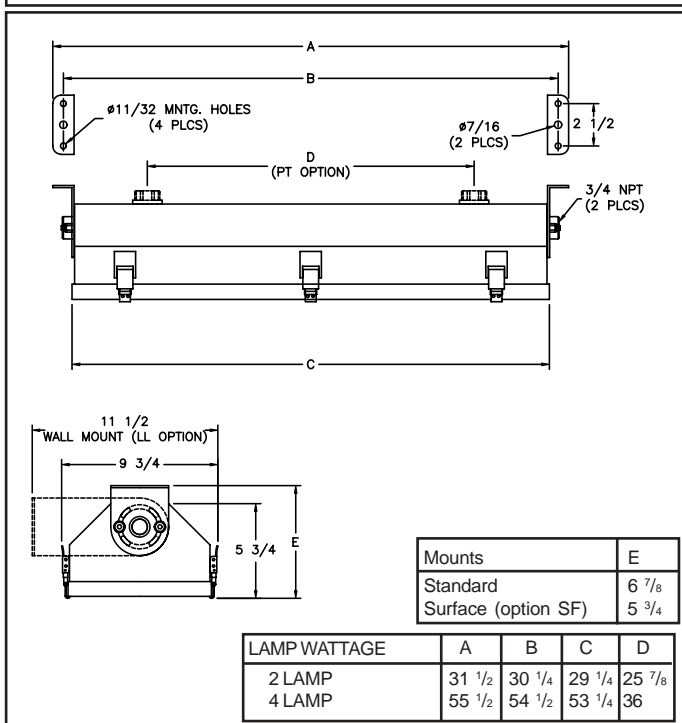




FEATURES

- ▼ Positive-locking spring loaded stainless steel latches and a one piece neoprene gasket provide a tight weather resistant seal.
- ▼ Spring loaded lampholders for maximum vibration resistance.
- ▼ Available in two and four lamp units.
- ▼ Supplied in 120v 60Hz HPF as standard. Other options in 220v 50Hz, 220v 60Hz and 277v 60Hz also available.
- ▼ Versions available in 40w and 55w compact fluorescent.
- ▼ Adjustable mounting brackets allow a 110° range of mounting positions.
- ▼ Low temperature operating ballast.
- ▼ Emergency versions available (CSA only).
- ▼ 5 year warranty.

DIMENSIONS



Dimensions in inches

APPROVALS

- ▼ UL 844 - Hazardous Location
Class I Division 2 Groups A, B, C and D
Class I Zone 2 Groups IIA, IIB, IIB+ H2 and IIC
- ▼ UL 1598A - Marine Outside Type Saltwater
- ▼ CSA
Class I Division 2, Groups A, B, C and D
Class II Division I, Groups E, F and G
Class III
- ▼ IP 66
- ▼ Type 4X
- ▼ ABS

APPLICATIONS

- ▼ Hazardous Locations
- ▼ Marine and wet environments
- ▼ Offshore oil and gas platforms
- ▼ Drill ships and exploration vessels
- ▼ Tankers and cargo ships
- ▼ Drilling rigs

OPTIONS

To obtain a fixture with any of the options listed below, please add the following suffix to the part number (not all options can be combined):

- ▼ 316 Grade Stainless Steel Housing /316
- ▼ Terminal Block T
- ▼ Shock Mount SM
- ▼ Surface Mount SF
- ▼ Wall Mount LL
- ▼ Pendant Mount 3/4" NPT PT
- ▼ Tempered Glass Lens TG
- ▼ Emergency Ballast (1 lamp) EM*
- ▼ Fused Ballast (not for marine use) F
- ▼ 220VAC 50Hz -225
- ▼ 220VAC 60Hz -226
- ▼ 277VAC 60Hz -276

* CSA only.

HAZARDOUS LOCATIONS CLASS I DIVISION 2 OUTSIDE TYPE SALTWATER MARINE STAINLESS STEEL AND ALUMINUM FLUORESCENT FIXTURES WITH FLAT LENS



TECHNICAL SPECIFICATION

HOUSINGS

Available in stainless steel with a natural finish and stainless steel mounting fittings or in copper-free marine-grade aluminum with an oven-cured polyester powder coated finish and aluminum mounting fittings with a natural finish. Ensure the suffix "A" appears in the ordering reference for aluminum fixtures and "S" for stainless steel, or "/316" for 316 stainless steel.

LENS FRAME AND LATCHES

Stainless steel for all types.

LENS

Polycarbonate flat lens as standard.

REFLECTOR

White high gloss powder coated aluminum.

OUTLETS

All units are supplied with two 3/4" NPT outlets, one plugged, providing a thru-feed service where required.

MOUNTINGS

Through (4) 11/32" ø or (2) 7/16" ø mounting holes provided on the adjustable brackets.

GASKETS

One continuous piece extruded neoprene gasket provides an effective seal between the lens and housing.

BALLAST

A High Power Factor (HPF) 120v 60Hz ballast is supplied as standard, rated for starting in temperatures down to -18° C (0° F). Other options include 220v 60Hz, 220v 50Hz, 230v 50/60Hz and 277v 60Hz. Emergency versions are also available.

LAMP TYPE

All fixtures supplied with lamps.

AMBIENT & OPERATING TEMPERATURE

40w and 55w versions rated at 40°C ambient temperature. 36w two and four lamp versions temperature code T4A. 55w two and four lamp versions temperature code T3.

ORDERING REFERENCES

COMPACT FLUORESCENT FIXTURES						
DESCRIPTION	NO OF LAMPS	LAMP TYPE	FWFC ALUM	WT (lbs) ALUM	FWFC SS	WT (lbs) SS
40w	Two	F40BX	FWFC240A	15.1	FWFC240S	20.4
	Four		FWFC440A	23.2	FWFC440S	34.0
55w	Two	F55BX	FWFC255A	15.1	FWFC255S*	20.4
	Four		FWFC455A	23.2	FWFC455S*	34.0

* CSA only.

SPARE PARTS	
BALLASTS 120V AC 60HZ 2 x 40w FX5272 2 x 55w FX5276	LAMPS 40w FX3533 55w FX3547
EMERGENCY BALLAST 120-227v AC FX5128H DU	LAMP HOLDERS FX4043
BEAM CLAMP KIT (Safety Cable & Cord Connector) FX7028	GASKETS 29 1/4" GKT6088-69.5 53 1/4" GKT6088-117.5
FLAT LENS 29 1/4" FX2134 53 1/4" FX2135	MOUNTS Wall FX7031S/A Standard FX7027S/A Surface FX7022S/A Pipe Mount Kit FX7023 Chain Mount Kit FX7025 Shock Mount FX7004A

© Copyright 2004. Not to be reproduced without express permission of Pauluhn Electric Manufacturing, LLP.

FLUORESCENT & COMPACT FLUORESCENT

