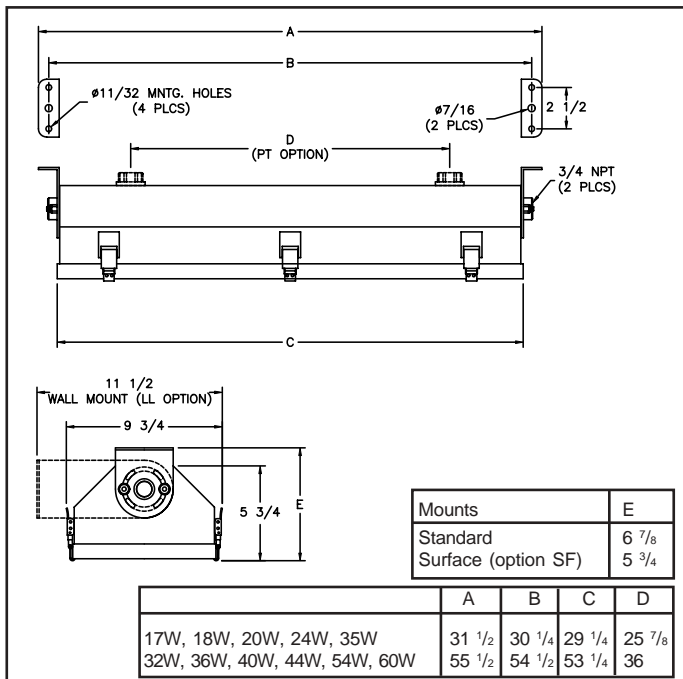




FEATURES

- ▼ Positive-locking spring loaded stainless steel latches and a one piece neoprene gasket provide a tight weather resistant seal.
- ▼ Custom manufactured spring loaded lampholders for maximum vibration resistance.
- ▼ Available in one, two and three lamp units.
- ▼ Supplied in 120v 60Hz HPF as standard. Other options in 220v 50Hz, 220v 60Hz and 277v 60Hz also available.
- ▼ Available in 17w, 18w, 20w, 24w, 32w, 35w, 36w, 40w, 44w, 54w and 60w fluorescent.
- ▼ Adjustable mounting brackets allow a 110° range of mounting positions.
- ▼ Low temperature operating ballast.
- ▼ Emergency versions available.
- ▼ 5 year warranty.

DIMENSIONS



Dimensions in inches

APPROVALS

- ▼ UL 844 - Hazardous Location
Class I Division 2 Groups A, B, C and D
Class I Zone 2 Groups IIA, IIB, IIB+ H2 and IIC
- ▼ UL 924 - Emergency Lighting Equipment
- ▼ UL 1598A - Marine Outside Type Saltwater
- ▼ CSA
Class I Division 2, Groups A, B, C and D
Class II Division I, Groups E, F and G
Class III
- ▼ IP 66
- ▼ Type 4X
- ▼ ABS

APPLICATIONS

- ▼ Hazardous Locations
- ▼ Marine and wet environments
- ▼ Offshore oil and gas platforms
- ▼ Drill ships and exploration vessels
- ▼ Tankers and cargo ships
- ▼ Drilling rigs

OPTIONS

To obtain a fixture with any of the options listed below, please add the following suffix to the part number (not all options can be combined):

- ▼ 316 Grade Stainless Steel Housing /316
- ▼ Terminal Block T
- ▼ Shock Mount SM
- ▼ Surface Mount SF
- ▼ Wall Mount LL
- ▼ Pendant Mount 3/4" NPT PT
- ▼ Fused Ballast (not for marine use) F
- ▼ Tempered Glass Lens TG
- ▼ Emergency Ballast (1 lamp) EM*
- ▼ Emergency Ballast (2 lamps) EM2**
- ▼ 220VAC 50Hz -225
- ▼ 220VAC 60Hz -226
- ▼ 277VAC 60Hz -276

* Not available in 24w or 54w.

** Not available in 24w, 35w, 54w or 60w.

HAZARDOUS LOCATIONS CLASS I DIVISION 2 OUTSIDE TYPE SALTWATER MARINE STAINLESS STEEL AND ALUMINUM FLUORESCENT FIXTURES WITH FLAT LENS



TECHNICAL SPECIFICATION

HOUSINGS

Available in stainless steel with a natural finish and stainless steel mounting fittings or in copper-free marine-grade aluminum with an oven-cured polyester powder coated protective finish and aluminum mounting fittings with a natural finish. Ensure the suffix "A" appears in the ordering reference for aluminum fixtures and "S" for stainless steel, or "/316" for 316 grade stainless steel.

LENS FRAME AND LATCHES

Stainless steel for all types.

LENS

Polycarbonate flat lens as standard.

REFLECTOR

White high gloss powder coated aluminum.

OUTLETS

All units are supplied with two 3/4" NPT outlets, one plugged, providing a thru-feed service where required.

MOUNTINGS

Through (4) 11/32" ø or (2) 7/16" ø mounting holes provided on the adjustable brackets.

GASKETS

One continuous piece extruded neoprene gasket provides an effective seal between the lens and housing.

BALLAST

A High Power Factor (HPF) 120v 60Hz ballast is supplied as standard. 17w, 20w, 24w, 32w, 40w and 54w fixtures are rated for starting in temperatures down to -18°C (0°F). 35w, 44w (solid state) and 60w fixtures are rated for temperatures down to -29°C (-20°F). 18w and 36w are available in 230v 50Hz only. Other options include 220v 60Hz, 220v 50Hz, 230v 50/60Hz, 277v 60Hz and emergency ballasts.

LAMP TYPE

T5, T8 and T12 fluorescent lamps as standard dependent on wattage. All fixtures supplied with lamps.

AMBIENT & OPERATING TEMPERATURE

17,18, 20 & 32 watt are rated at 40/55° C with a temperature code of T5/T4A. The 35, 36, 40, 44 & 60 watt are rated 40° C, T3C, except the 3 lamp 35 & 60 watt fixtures are rated 25° C, T3C.

ORDERING REFERENCES

FLUORESCENT FIXTURES						
DESCRIPTION	NO OF LAMPS	LAMP TYPE	FWFN ALUM	WT (lbs)	FWFN SS	WT (lbs)
17w 263 MA 24" Lamp	One Two Three	F17T8	FWFN117A	14.1	FWFN117S	20.0
* 18w 360 MA 24" Lamp	One Two Three	F18T8	FWFN118A	15.2	FWFN118S	21.0
20w Trigger Start 24" Lamp	One Two Three	F20T12	FWFN120A	15.2	FWFN120S	21.1
**24w High Output	Two Three	F24T5 /HO	FWFN220A	15.5	FWFN220S	21.4
32w 265 MA 48" Lamp	One Two Three	F32T8	FWFN320A	19.4	FWFN320S	25.2
32w 265 MA 48" Lamp	One Two Three	F32T8	FWFN124A	14.1	FWFN124S	20.0
35w High Output 800 MA 24" Lamp	One Two Three	F24T12	FWFN224A	14.4	FWFN224S	20.3
* 36w 440 MA 48" Lamp	One Two Three	F36T8	FWFN324A	17.2	FWFN324S	23.1
40w 430 MA 48" Lamp	One Two Three	F40T12	FWFN132A	19.8	FWFN132S	30.6
44w High Output 800 MA 48" Lamp	One Two Three	F32T8	FWFN232A	20.3	FWFN232S	31.1
**54w High Output	Two Three	F40T12 /HO	FWFN332A	23.3	FWFN332S	34.1
60w High Output 800 MA 48" Lamp	One Two Three	F48T12 /HO	FWFN135A	19.8	FWFN135S	26.2
			FWFN235A	20.1	FWFN235S	26.5
			FWFN335A	23.4	N/A	N/A
			FWFN136A	20.8	FWFN136S	31.6
			FWFN236A	21.3	FWFN236S	32.1
			FWFN336A	25.3	FWFN336S	36.1
			FWN140A	20.9	FWFN140S	31.7
			FWN240A	21.5	FWFN240S	32.3
			FWN340A	25.6	N/A	N/A
			FWFN144A	21.3	FWFN144S	32.1
			FWFN244A	21.8	FWFN244S	32.6
			FWFN344A	26.4	N/A	N/A
			FWFN154A	19.8	FWFN154S	30.6
			FWFN254A	20.3	FWFN254S	31.1
			FWFN354A	23.3	FWFN354S	34.1
			FWFN160A	25.5	FWFN160S	36.3
			FWFN260A	26.1	FWFN260S	36.9
			FWFN360A	29.7	N/A	N/A

SPARE PARTS			
BALLASTS 120V AC 60HZ		LAMPS	
1 x 17w	FX5173	17w	FX3528
2 x 17w	FX5260	18w	FX3562
1 x 20w	FX5058	20w	FX3506
2 x 20w	FX5032	24w	FX3568
1 x 24w	FX5307	32w	FX3527
2 x 24w	FX5307	35w	FX3507
1 x 32w	FX5173H	36w	FX3557
2 x 32w	FX5260H	40w	FX3504
1 x 35w	FX5100	44w	FX3565
2 x 35w	FX5027	54w	FX6567
1 x 40w	FX5054	60w	FX3505
2 x 40w	FX5010		
1 x 44w	FX5287		
2 x 44w	FX5287	GASKETS	
1 x 54w	FX5305	29 1/4"	GKT6088-69.5
2 x 54w	FX5305	53 1/4"	GKT6088-117.5
1 x 60w	FX5044		
2 x 60w	FX5027	MOUNTS	
		Wall	FX7031S/A
		Standard	FX7027S/A
		Surface	FX7022S/A
		Pipe Mount Kit	FX7023
		Chain Mount Kit	FX7025
		Shock Mount	FX7004A
FLAT LENS		BEAM CLAMP KIT	
29 1/4"	FX2134	(Safety Cable & Cord connector)	
53 1/4"	FX2135	FX7028	
EMERGENCY BALLAST			
120-277v AC	FX5128HDU		
LAMP HOLDERS		Stationary	Spring
35w, 44w, 60w		FX4004	FX4005
17w, 18w, 20w, 24w, 32w, 36w, 40w, 54w		FX4008	FX4009

* Available in 230v 50Hz only.

** Approvals pending.

© Copyright 2004. Not to be reproduced without express permission of Pauluhn Electric Manufacturing, LLP.

FLUORESCENT & COMPACT FLUORESCENT



INTERNATIONAL PRODUCT