



Trim Ring Options

## FEATURES

- ▼ Available in compact fluorescent, halogen PAR and MR-16, and incandescent models.
- ▼ Widest range of lamps and wattages in a single compact housing:
  - ▼ Compact fluorescent: 32, 26, 18, and 13 watts.
  - ▼ Halogen PAR: 100, 75, 60 and 50 watts.
  - ▼ Halogen MR-16: 75 and 50 watts.
  - ▼ Incandescent: 100 watts.
- ▼ Integral balance support provides vibration dampening.
- ▼ Low profile, 4.19 in (106.4 mm), depth allows for installation in constricted ceiling voids.
- ▼ Component tray may be easily removed with a single screw.
- ▼ Housing & trim rings are made of zinc coated steel for superior corrosion resistance.
- ▼ Housing & trim rings are offered in white as standard. Trim colors may be customized to suit, including chrome or brass finishes.
- ▼ Housing is provided with 2 knockouts, 1/2" and 3/4," which accommodates European M20 and M25 hubs.
- ▼ Reflector is made of a highly specular aluminum for a mirror-like finish that illuminates evenly.
- ▼ Mounting is simple, slide into the ceiling and secure with three screws.
- ▼ Terminal blocks are provided as standard for ease of installation.
- ▼ Mounting "footprint" consistent with competitive brands.
- ▼ Available with sealed diffuser for galley applications.
- ▼ 5 year warranty.

## APPROVALS

- ▼ UL 1598A - Marine Inside Drip Proof Type
- ▼ ABS
- ▼ Insulation Contact (IC) rated for contact with noncombustible mineral wool insulation.
- ▼ B-15 Fire rating (when integrated with B-15 fire rated ceiling and properly installed) pending.
- ▼ Conforms to IP 42 with a sealed diffuser

## APPLICATIONS

- ▼ Interior environments
- ▼ Over head lighting in stairwells and passageways.
- ▼ Illuminate a focal point, ie, art work, plant, sitting area
- ▼ Galleys

## OPTIONS

To obtain a fixture with any of the options listed below, please add the following suffix to the part number:

### For all models:

- |                                 |   |
|---------------------------------|---|
| ▼ Brass finish trim ring        | B |
| ▼ Chrome plated trim ring       | C |
| ▼ Trim ring with Glass diffuser | D |
| ▼ *Sealed diffuser on trim ring | S |
| ▼ Frosted center, clear edge    | F |
| ▼ Clear center, frosted edge    | H |

\*Note: Compact Fluorescent to 18W, Halogens to 60W or incandescent "A" Type lamp.

### For Compact Fluorescent lamp:

- |   |       |
|---|-------|
| ▼ Dimmable Ballast (not available for 13W)          | DIM*  |
| ▼ Gold finish reflector                             | G     |
| ▼ Red acrylic diffuser (26 watt max)                | RV    |
| ▼ Blue Lens - Night Vision Compatible (26 watt max) | BV    |
| ▼ Trim ring with Polycarbonate diffuser             | X     |
| ▼ 220V 50 Hz  | -225* |
| ▼ 220V 60 Hz  | -226* |
| ▼ 277V 60 Hz  | -276* |
| ▼ Radio Interference Filter                         | RFI   |

\*Note: Not all wattages available with dimmable ballast in optional voltages.

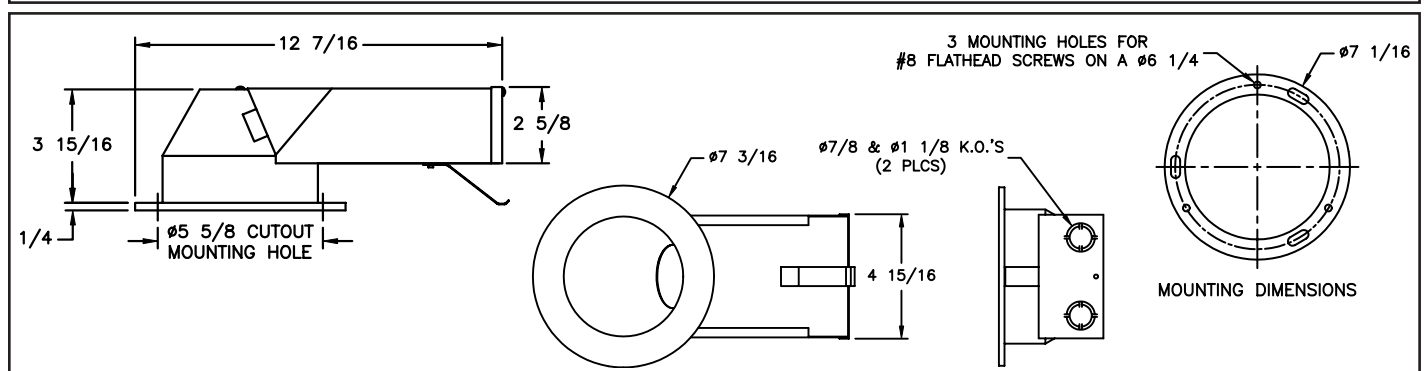
### Halogen MR-16 lamp:

- |                     |      |
|---------------------|------|
| ▼ 220-240V 50/60 Hz | -225 |
|---------------------|------|

### Incandescent lamp:

- |                         |   |
|-------------------------|---|
| ▼ Gold finish reflector | G |
|-------------------------|---|

## DIMENSIONS



Dimensions in inches

# INSIDE DRIP PROOF TYPE INTERIOR DECORATIVE RECESSED FIXTURES



## TECHNICAL SPECIFICATION

### HOUSINGS

Zinc coated steel with oven-cured polyester powder coated protective finish maximizes corrosion resistance. Housing is provided with two, 1/2" or 3/4" knockouts, which will accommodate European M20 and M25 hubs. Standard housing color is white, custom colors are available.

### TRIM RINGS

Trim rings are white as standard, but custom colors, chrome and brass finishes are available. Trim rings are also available with stand-off or sealed diffusers. Sealed diffusers available on compact fluorescent to 18W, Halogens or incandescent "A" Type lamp to 60W maximum.

### TERMINAL BLOCK

3 pole terminal block installed as standard on all models.

### REFLECTORS

Compact fluorescent & incandescent fixtures will include a highly specular aluminum silver reflector as standard. Gold finish is an available option. Halogen and MR utilize reflector style lamps.

### LAMP TYPE

Compact fluorescent and MR-16 type fixtures are provided with lamps. Halogen par and incandescent fixtures are not provided with lamps.

### BALLAST

120V 60Hz ballast is standard. Dimmable ballast is available as an option for compact fluorescent models only.

## ORDERING REFERENCES

### Ordering Sample

1. DLF 2. 26 3. -276 4. DIM 5. G 6. B 7. X

Compact fluorescent 26 watt 277V 60Hz with dimmable ballast, gold reflector and brass trim ring with polymeric diffuser.

### (1, 2, & 3) Model, Wattage, and Ballast

(If 3 is blank = 120V 60Hz)

Compact Fluorescent lamp	DLF
13 watt	13
18 watt	18
26 watt	26
32 watt	32
220V 50Hz	-225
220V 60Hz	-226
277V 60 Hz	-276
Halogen, Par lamp	DLH
50 watt	50
60 watt	60
75 watt	75
100 watt	10
Incandescent	DLI
100 watt	10
Halogen, MR-16 lamp	DLM
50 watt	50
75 watt	75
220-240V 50/60Hz	-225

### (4-7) Options per model

May be added as available. Please refer to Options on previous page.

### SPARE PARTS

#### 13, 18, 26 or 32 WATT

120V AC 60Hz BALLAST	FX5206	LAMPHOLDER	
LAMPS		13W	FX4042
13W	FX3531	18W	FX4030
18W	FX3552	26W	FX4034
26W	FX3553	32W	FX4034
32W	FX3554		

#### HALOGEN PAR

LAMPS		LAMPHOLDER	
50W	INX3726		
60W	INX3727		
75W	INX3728		
100W	INX3729		

#### HALOGEN MR-16

120V AC 60Hz BALLAST	INX5243	LAMPHOLDER	
LAMPS		50W	INX4109
50W	INX3730		
100W	INX3731		

#### INCANDESCENT

LAMPS		LAMPHOLDER	
100WA-19	INX3528		INX4087

### ORDERING TRIM RINGS

Example: DLTBDF - Brass Trim Ring with Glass Diffuser, Frosted Center, Clear Edge - Stand-Off

1. Downlight Trim Ring	DLT
2. Trim Ring Color	
White (standard)	W
Brass finish	B
Chrome plated	C
3. Diffuser Mount	
Stand-off	Blank
Sealed (select wattages)	S
4. Diffuser Style	
Glass	D
Red Acrylic (CF 26W only)	RV
Blue Lens (CF 26w only)	BV
Polycarbonate (CF only)	X
5. Lens Style (for glass only)	
Clear glass	Blank
Frosted center, clear edge	F
Clear center, frosted edge	H