



FEATURES

- ▼ Corrosion resistant housing in copper-free marine-grade aluminum with an oven-cured polyester powder coated white high gloss protective finish and white polycarbonate end caps.
- ▼ Slim low profile fixture.
- ▼ One lamp 15w fixture.
- ▼ 120v 60Hz voltage operation as standard. Optional 220v AC 60Hz available.
- ▼ Adjustable shade for light control.
- ▼ 5 year warranty.

APPROVALS

- ▼ UL 1598A - Marine Inside Type
- ▼ ABS
- ▼ NEMA 5-15R
- ▼ Conforms to IP 40

APPLICATIONS

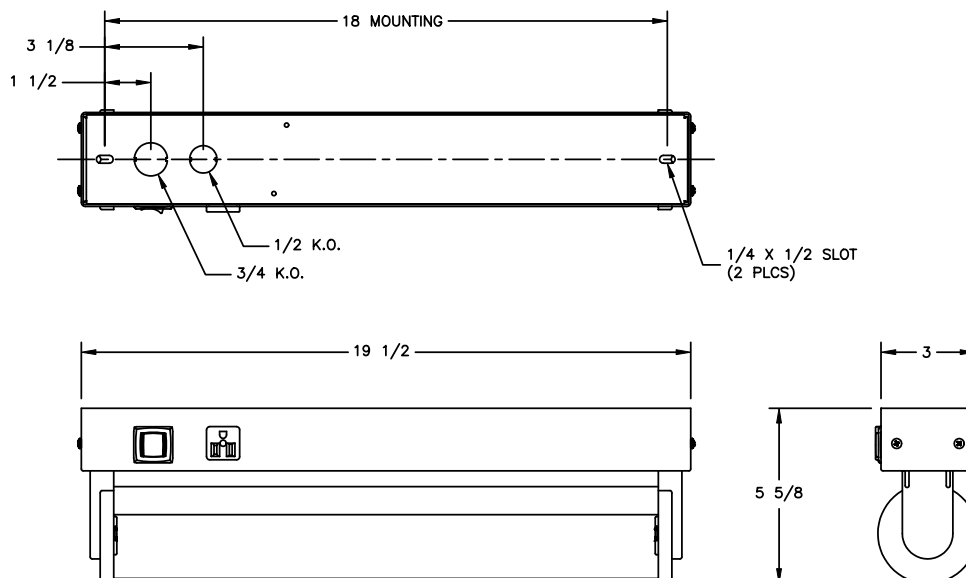
- ▼ Marine inside environments
- ▼ Accommodation modules / cabin sections
- ▼ Drill ships and exploration vessels
- ▼ Ferries
- ▼ Oil and gas platforms
- ▼ Tankers
- ▼ Passenger ships

OPTIONS

To obtain a fixture with any of the options listed below, please add the following suffix to the part number (not all options can be combined):

- | | |
|---------------------------|------|
| ▼ Less Convenience Outlet | LCO |
| ▼ Terminal Block | T |
| ▼ 220v 60Hz | -226 |

DIMENSIONS



MARINE INSIDE TYPE FLUORESCENT BERTH/MIRROR FIXTURES



TECHNICAL SPECIFICATION

HOUSING

Corrosion resistant housing in copper-free marine-grade aluminum with an oven-cured polyester powder coated white gloss protective finish and white polycarbonate end caps.

OUTLETS

All units are supplied complete with one 1/2" and one 3/4" knockout.

LAMPHOLDER

Standard fluorescent lampholders are supplied with each fixture.

CONVENIENCE OUTLET

A 125V 3 wire - 2 pole "U" ground outlet is provided as standard. The fixture can be supplied without this outlet by selecting the suffix contained in the options section.

VOLTAGE OPERATION

Rated for operation on 120v AC 60Hz as standard. A 220V 60Hz option is also available.

LAMP TYPE

Suitable for use with one 15w T8 fluorescent lamp. Not provided.

SHADE

An adjustable shade is provided to allow for the flexible direction of light

SWITCH

A double pole rocker switch is provided as standard.

ORDERING REFERENCES

INSIDE TYPE FLUORESCENT BERTH/MIRROR FIXTURES

DESCRIPTION	LAMP SIZE	WEIGHT (lbs)	ALUMINUM TYPE
Berth and Mirror Fixture	1 x 15w	7.3	F1061

SPARE PARTS

BALLAST	FX5009
CONVENIENCE OUTLET 125v 3 wire - 2 pole "U" ground	CX3001
LAMPHOLDER	FX4001
DOUBLE POLE ROCKER SWITCH	INX3379
LAMP 15w T8 Fluorescent	FX3508
REFLECTOR	FX4539W