



FEATURES

- ▼ Corrosion resistant housing in copper-free marine-grade aluminum with an oven-cured polyester powder coated white high gloss protective finish and white polycarbonate end caps.
- ▼ Slim low profile fixture.
- ▼ One lamp 8w T5 fixture.
- ▼ 120v 60Hz voltage operation as standard. Optional 220v AC 60Hz available.
- ▼ Adjustable shade for light control.
- ▼ 5 year warranty.

APPROVALS

- ▼ UL 1598A - Marine Inside Type
- ▼ ABS
- ▼ Conforms to IP 40

APPLICATIONS

- ▼ Marine inside environments
- ▼ Accommodation modules / cabin sections
- ▼ Drill ships and exploration vessels
- ▼ Ferries
- ▼ Oil and gas platforms
- ▼ Tankers
- ▼ Passenger ships

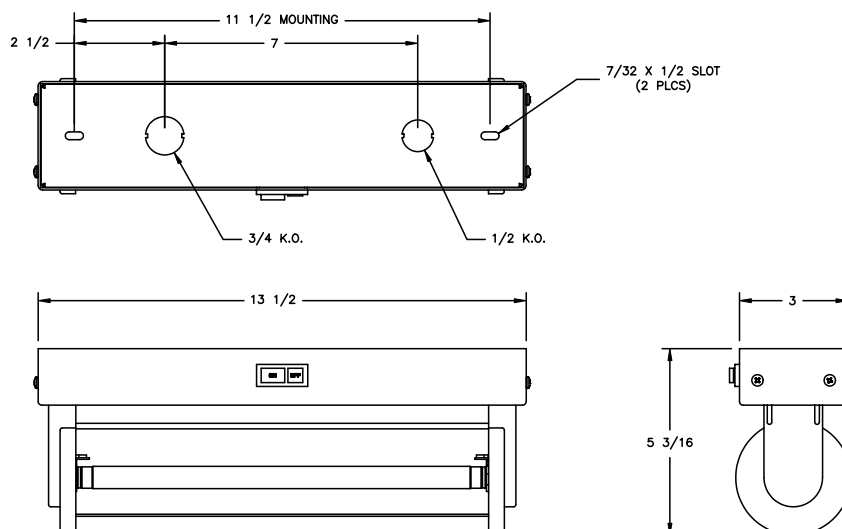
OPTIONS

To obtain a fixture with any of the options listed below, please add the following suffix to the part number (not all options can be combined):

- ▼ Convenience Outlet CO
- ▼ 220v 60Hz -226*

* Not available with CO option.

DIMENSIONS



MARINE INSIDE TYPE FLUORESCENT BERTH FIXTURE



TECHNICAL SPECIFICATION

HOUSING

Corrosion resistant copper-free marine-grade aluminum with an oven-cured polyester powder coated white high gloss protective finish and white polycarbonate end caps.

OUTLETS

All units are supplied complete with one 1/2" and one 3/4" knockout.

LAMPHOLDER

Standard fluorescent lampholders are supplied with each fixture.

CONVENIENCE OUTLET

A 125V 3 wire - 2 pole "U" ground outlet is provided as an option.

HARDWARE

Stainless steel.

VOLTAGE OPERATION

Rated for operation on 120v AC 60Hz as standard. Optional 220V 60Hz unit is also available.

LAMP TYPE

Suitable for use with one 8w T5 fluorescent lamp supplied with each fixture.

SHADE

An adjustable shade is provided to allow for the flexible direction of light

SWITCH

A push type momentary contact switch is provided as standard.

ORDERING REFERENCES

INSIDE TYPE FLUORESCENT BERTH FIXTURES			
DESCRIPTION	LAMP SIZE	WEIGHT (lbs)	ALUMINUM TYPE
Berth and Mirror	1 x 8w	3.0	F1062

SPARE PARTS	
BALLAST	FX5012
LAMP 8w T5 Fluorescent	FX3509
LAMPHOLDER	FX4029
PUSH TYPE SWITCH	FX3029