



## FEATURES

- ▼ Corrosion resistant housing in copper-free marine-grade aluminum with an oven-cured polyester powder coated grey protective finish.
- ▼ Slim low profile recessible fixture.
- ▼ Available in one lamp or two lamp 8w versions.
- ▼ 120v 60Hz voltage operation as standard.
- ▼ Optional double pole toggle switch.
- ▼ Crushed grain lens for increased light distribution.
- ▼ 5 year warranty.

## APPROVALS

- ▼ UL 1598A - Marine Inside Type
- ▼ ABS
- ▼ Conforms to IP 40

## APPLICATIONS

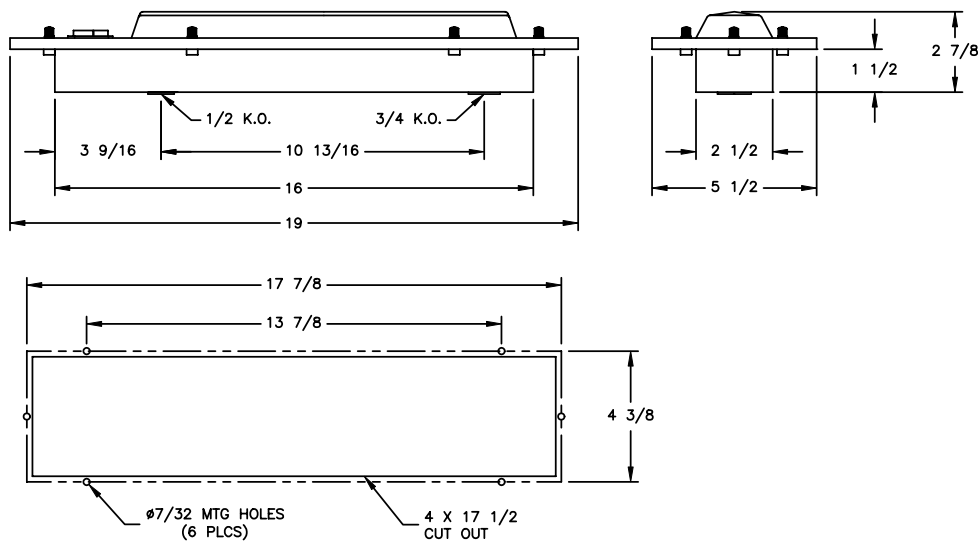
- ▼ Marine inside environments
- ▼ Accommodation modules/cabin sections
- ▼ Drill ships and exploration vessels
- ▼ Ferries
- ▼ Oil and gas platforms
- ▼ Tankers
- ▼ Passenger ships

## OPTIONS

To obtain a fixture with any of the options listed below, please add the following suffix to the part number (not all options can be combined):

- ▼ Without Convenience Outlet LCO
- ▼ Double Pole Toggle Switch DS
- ▼ Adjustable Shade ADJ

## DIMENSIONS



MOUNTING DIMENSIONS



# MARINE INSIDE TYPE FLUORESCENT RECESSED BERTH/MIRROR FIXTURES

## TECHNICAL SPECIFICATION

### LENS FRAME

Corrosion resistant copper-free marine-grade aluminum with an oven-cured polyester powder coated grey protective finish.

### REFLECTOR

Aluminum with a white high gloss polyester powder coated finish.

### OUTLETS

All units are supplied with one 1/2" and one 3/4" knockout.

### LAMPHOLDER

Standard fluorescent lampholders are supplied with each fixture.

### SWITCH

A push type momentary contact switch is provided. A double pole toggle switch is available as an option.

### SHADE

An optional light shade is also available.

### VOLTAGE OPERATION

Rated for operation on 120v 60Hz as standard LPF.

### LAMP TYPE

One or two 8w fluorescent lamps are used dependant on the fixture type. All fixtures are supplied complete with lamps.

### LENS

A crushed grain DR acrylic lens is provided for maximum light distribution.

### CONVENIENCE OUTLET

A 125v 3 wire - 2 pole "U" ground outlet is provided as standard. Fixtures can be ordered without this outlet. See options.

## ORDERING REFERENCES

INSIDE TYPE FLUORESCENT BERTH/MIRROR FIXTURES				SPARE PARTS	
DESCRIPTION	LAMP SIZE	WEIGHT (lbs)	ALUMINUM TYPE		
Recessed Fixture	1 x 8w	3.5	FB18F	<b>LENS</b> Both Units	FX2069
Recessed Fixture	2 x 8w	3.5	FB28F	<b>LAMP HOLDERS</b> Stationery	FX4029
				<b>CONVENIENCE OUTLET</b> 125v 3 wire - 2 pole "U" ground	CX3001
				<b>BALLASTS</b> 1 X 8w 120v 60Hz 2 X 8w (2 required)	FX5012 FX5012
				<b>DOUBLE POLE SWITCH</b>	INX3012
				<b>LAMP</b> 8w T5 Fluorescent	FX3509
				<b>PUSH TYPE SWITCH</b>	FX3029