



FEATURES

- ▼ Corrosion resistant housing in copper-free marine-grade aluminum with an oven-cured polyester powder coated white high gloss protective finish and a white ABS cover.
- ▼ Slim fixture.
- ▼ Available in one or two lamp 8w fluorescent.
- ▼ 120v 60Hz voltage operation as standard.
- ▼ A push type momentary contact is switch provided.
- ▼ A clear fluted acrylic lens is supplied to allow increased light distribution.
- ▼ 125v 3 wire 2 pole U ground convenience outlet is provided as standard.
- ▼ Available in gold and silver architectural finishes.
- ▼ Available with a 3 position switch for on, off and night light (with a 6 watt incandescent lamp), when ordered with the NHB option.
- ▼ 5 year warranty.

APPROVALS

- ▼ UL 1598A - Marine Inside Type
- ▼ ABS
- ▼ Conforms to IP 40

APPLICATIONS

- ▼ Marine and wet environments
- ▼ Accommodation modules/cabin sections
- ▼ Drill ships and exploration vessels
- ▼ Ferries
- ▼ Oil and gas platforms
- ▼ Tankers
- ▼ Passenger ships

OPTIONS

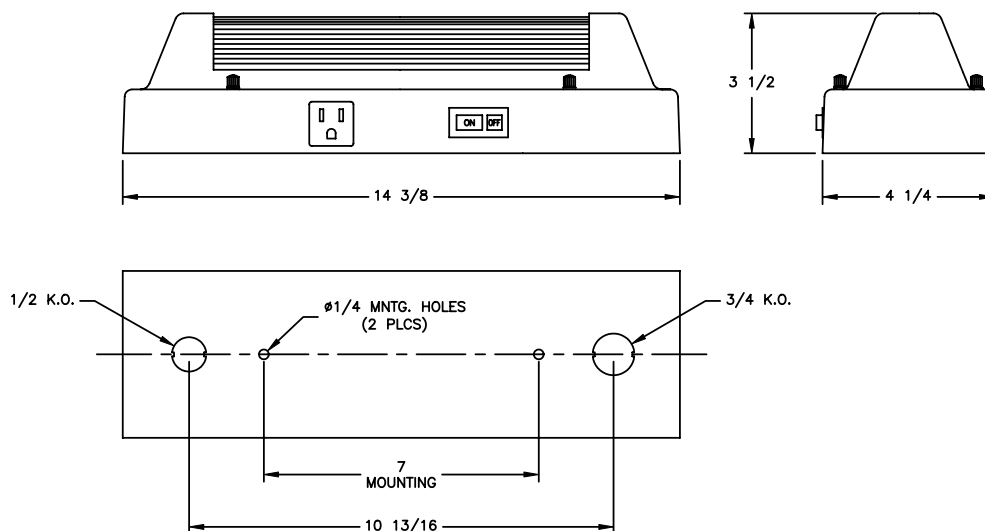
To obtain a fixture with any of the options listed below, please add the following suffix to the part number (not all options can be combined):

- | | |
|--|--------|
| ▼ Gold finish | G |
| ▼ Silver Finish | S |
| ▼ Double Pole Toggle Switch | DS |
| ▼ Without Convenience Outlet | LCO |
| ▼ Naval Habitation Berth light (6w night light) | NHB |
| ▼ Low Smoke Cable | C* |
| ▼ 220v 60Hz | -226** |

* Low smoke cable not UL listed.

** Not available with Convenience Outlet, double pole switch is standard.

DIMENSIONS





MARINE INSIDE TYPE FLUORESCENT BERTH/MIRROR FIXTURES

TECHNICAL SPECIFICATION

HOUSING

Corrosion resistant copper-free marine-grade aluminum with an oven-cured polyester powder coated white high gloss protective finish and a white ABS cover.

REFLECTOR

Aluminum with a white high gloss polyester powder coated finish.

OUTLETS

All units are supplied with one 1/2" and one 3/4" knockout.

LAMPHOLDER

Standard fluorescent lampholders are supplied with each fixture.

SWITCH

A push type momentary contact switch is provided for operation. An optional double pole toggle switch is also available.

MOUNTING

Through two 1/4" Ø mounting holes on the back of each fixture.

VOLTAGE OPERATION

Rated for operation on 120v 60Hz as standard LPF. Two ballasts are contained within each fixture.

LAMP TYPE

Two lamp 8w fluorescent lamps are used. All fixtures are supplied with lamps.

LENS

A high impact fluted acrylic lens is provided which allows maximum light distribution.

CONVENIENCE OUTLET

A 125v 3 wire - 2 pole "U" ground outlet is provided as standard. The fixture can be ordered without this outlet if required. See options. Not provided on 220V 60Hz models.

ORDERING REFERENCES

INSIDE TYPE FLUORESCENT BERTH/MIRROR FIXTURES				SPARE PARTS	
DESCRIPTION	LAMP SIZE	WEIGHT (lbs)	ALUMINUM TYPE		
Berth Fixture	1 x 8w	3.0	FBN18	LENS ASSEMBLIES	
	2 x 8w	3.3	FBN28	FBN	FX6092FB
Mirror	1 x 8w	3.0	FMN18	FMN	FX6092FM
	2 x 8w	3.3	FMN28	LAMP	
				8w Fluorescent	FX3509
				LAMPHOLDERS	
				Stationary	FX4029
				PUSH TYPE MOMENTARY CONTACT SWITCH	
					FX3029
				CONVENIENCE OUTLET	
				125v 3 wire - 2 pole "U" ground	CX3001
				BALLASTS	
				1 X 8w	FX5012
				2 X 8w (2 required)	FX5012