



FEATURES

- ▼ Corrosion resistant housing in copper-free marine-grade aluminum with an oven-cured polyester powder coated grey protective finish.
- ▼ Surface mounted and secured to desk to avoid movement.
- ▼ Available in two lamp 15w versions.
- ▼ 120v 60Hz voltage operation as standard.
- ▼ A push type momentary contact switch is provided.
- ▼ Supplied with a 8 foot three conductor SJT cord and molded plug.
- ▼ A clear diffuser is provided on standard units.
- ▼ 5 year warranty.

APPROVALS

- ▼ UL 1598A - Marine Inside Type
- ▼ ABS
- ▼ Conforms to IP 40

APPLICATIONS

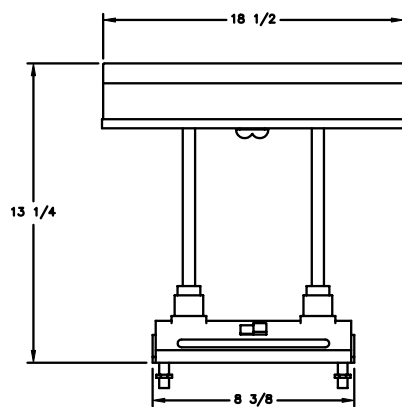
- ▼ Marine inside environments
- ▼ Accommodation modules/cabin sections
- ▼ Drill ships and exploration vessels
- ▼ Ferries
- ▼ Oil and gas platforms
- ▼ Tankers
- ▼ Passenger ships

OPTIONS

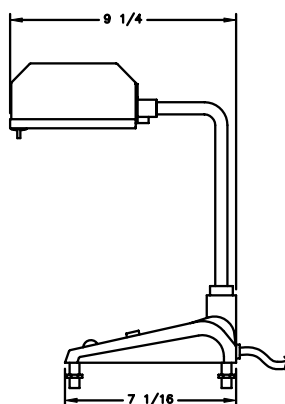
To obtain a fixture with any of the options listed below, please add the following suffix to the part number (not all options can be combined):

- | | |
|-----------------------------------|----|
| ▼ Red Lens (Replace CV suffix) | RV |
| ▼ Yellow Lens (Replace CV suffix) | YV |
| ▼ Double Pole Toggle Switch | DS |

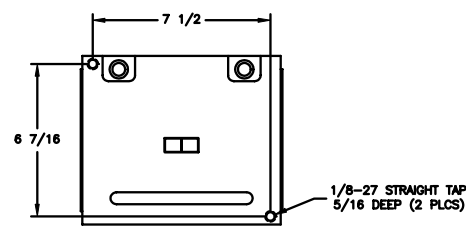
DIMENSIONS



FRONT VIEW



SIDE VIEW



BASE PLATE TOP VIEW
MOUNTING DIMENSIONS



MARINE INSIDE TYPE FLUORESCENT DESK LIGHTS

TECHNICAL SPECIFICATION

HOUSING

Corrosion resistant copper-free marine-grade aluminum with an oven-cured polyester powder coated grey protective finish.

REFLECTOR

Aluminum with a white high gloss polyester powder coated finish.

LAMPHOLDERS

Standard fluorescent lampholders are supplied with each fixture.

SWITCH

A push type momentary contact switch is provided as standard. A double pole toggle is available as an option.

VOLTAGE OPERATION

Rated for operation on 120v 60Hz as standard LPF.

LAMP TYPE

Two 15w fluorescent lamps are used. All fixtures are supplied without lamps.

LENS

A clear high impact acrylic lens is supplied with an optional choice of red syellow

CORD AND PLUG

A 3 conductor SJT cord and molded plug is included with each fixture.

MOUNTING

The units are surface mounted and secured by threaded studs to avoid movement.

ORDERING REFERENCES

INSIDE TYPE FLUORESCENT DESK LIGHTS				SPARE PARTS	
DESCRIPTION	LAMP SIZE	WEIGHT (lbs)	ALUMINUM TYPE		
Double Stationary Arm Light	2 x 15w	12.0	FE215CV/5	LENS Clear	FX2111CLR
				Red	FX2111RED
				Yellow	FX2111YEL
Double Adjustable Arm Light	2 x 15w	12.0	FE215CV/6	LAMPHOLDER 15w	FX4048
				BALLASTS 1 x 15w (2 required)	FX5013
				MOMENTARY PUSH TYPE SWITCH	FX3029
				DOUBLE POLE TOGGLE SWITCH	INX3012
				LAMP 15w Fluorescent	FX3508