



FEATURES

- ▼ Corrosion resistant housing in copper-free marine-grade aluminum with an oven-cured polyester powder coated white high gloss protective finish.
- ▼ Wide choice of lamp options 17w, 20w, 24w, 32w, 35w, 40w, 54w and 60w available in two, three or four lamp versions.
- ▼ 120v 60Hz voltage operation as standard with other options available.
- ▼ Supplied with flat prismatic acrylic lens, providing controlled light diffusion, as standard.
- ▼ Twist locking lampholders for BiPin lamps and spring loaded lampholders for HO lamps provide resistance to shock and vibration.
- ▼ Red Filter Tube option allows for red filter to be operated on a separate circuit for darken ship mode.
- ▼ 5 year warranty.

APPROVALS

- ▼ UL 1598A - Marine Inside Drip Proof Type
- ▼ UL 924 - Emergency Lighting Equipment
- ▼ ABS
- ▼ Conforms to IP 52

APPLICATIONS

- ▼ Marine and wet environments
- ▼ Offshore oil and gas platforms
- ▼ Drill ships and exploration vessels
- ▼ Tankers
- ▼ Corridor and amenity lighting

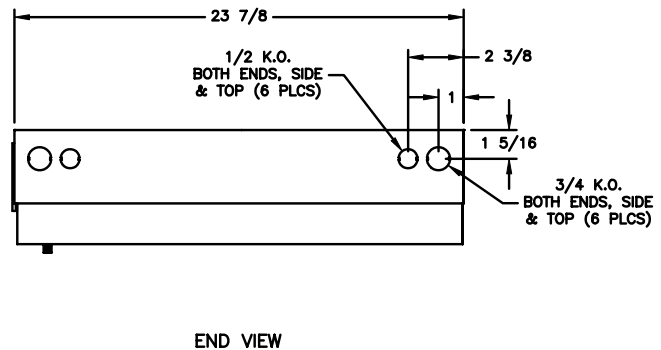
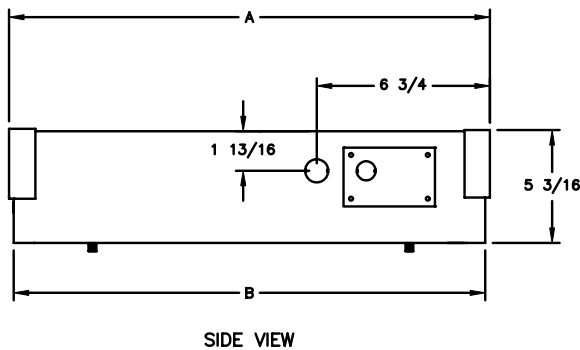
OPTIONS

To obtain a fixture with any of the options listed below, please add the following suffix to the part number (not all options can be combined):

- | | |
|---|-------|
| ▼ Emergency ballast (1 lamp) | EM |
| ▼ Low Temperature Ballast (20w and 40w) | /ODEG |
| ▼ Dimmer for 17w, 32w and 40w (120V only) | DIM |
| ▼ Red Filter Tube (one) | RV* |
| ▼ 220V 50Hz Ballast | -225 |
| ▼ 220V 60Hz Ballast | -226 |
| ▼ 277V 60Hz Ballast | -276 |

* Not available in 24w or 54w.

DIMENSIONS



| | A | B |
|--------------------|--------|--------|
| 17W, 20W, 24W, 35W | 24 1/8 | 23 3/4 |
| 32W, 40W, 54W, 60W | 48 1/8 | 47 3/4 |

Dimensions in inches

DAMP/WET LOCATIONS, INSIDE DRIP PROOF FLUORESCENT LAY-IN MOUNT RECESSIBLE CEILING FIXTURES



TECHNICAL SPECIFICATION

HOUSING

Corrosion resistant copper-free marine-grade aluminum with an oven-cured polyester powder coated white high gloss protective finish.

OUTLETS

All units are supplied with four 1/2" and four 3/4" NPT knockouts located around the fixture.

LAMPHOLDER

Twist lock lampholders for BiPin lamps and spring loaded for HO lamps are supplied as standard ensuring positive contact and resistance to shock and vibration.

TERMINAL BLOCK

A terminal block is provided as standard. The terminal block is located on an access plate which allows easy access for wiring.

MOUNTING

The fixtures are lay-in mounting types and supported by the "T" bar arrangement in the ceiling.

OPERATING VOLTAGE

All fixtures are rated to operate on 120V AC 60Hz. Other options such as 220V 50Hz, 220V 60Hz and 277V 60Hz, low temperature, and emergency versions are also available.

LAMP TYPE

Available in two, three or four lamp versions in 17w, 20w, *24w, 32w, 35w, 40w, *54w and 60w fluorescent lamp options. Lamps not provided.

*Approvals pending.

LENS AND LENS ASSEMBLY

Supplied with a flat prismatic high impact DR acrylic lens as standard. The lens is attached to the lens frame while the frame assembly is held to the housing with a hinge arrangement which can be positioned at either side of the fixture and is secured into position by captive knurled screws.

ORDERING REFERENCES

| DRIP PROOF FLUORESCENT LAY-IN RECESSIBLE CEILING FIXTURES | | | |
|---|-----------|--------------|---------|
| DESCRIPTION | LAMP SIZE | WEIGHT (lbs) | FIXTURE |
| 2 ft X 2 ft 17w | 2 x 17w | 11.0 | FT217 |
| | 3 x 17w | 13.5 | FT317 |
| | 4 x 17w | 14.0 | FT417 |
| 2 ft X 2 ft 20w | 2 x 20w | 12.0 | FT220 |
| | 3 x 20w | 15.5 | FT320 |
| | 4 x 20w | 16.0 | FT420 |
| 2 ft X 2 ft *24w | 2 x 24w | 11.0 | FT224 |
| | 3 x 24w | 13.5 | FT324 |
| | 4 x 24w | 14.0 | FT424 |
| 2 ft X 4 ft 32w | 2 x 32w | 19.5 | FT232 |
| | 3 x 32w | 22.0 | FT332 |
| | 4 x 32w | 22.5 | FT432 |
| 2 ft X 2 ft 35w | 2 x 35w | 16.5 | FT235 |
| | 3 x 35w | 25.0 | FT335 |
| | 4 x 35w | 25.5 | FT435 |
| 2 ft X 4 ft 40w | 2 x 40w | 20.5 | FT240 |
| | 3 x 40w | 24.0 | FT340 |
| | 4 x 40w | 24.5 | FT440 |
| 2 ft X 2 ft *54w | 2 x 54w | 19.5 | FT254 |
| | 3 x 54w | 22.0 | FT354 |
| | 4 x 54w | 22.5 | FT454 |
| 2 ft X 4 ft 60w | 2 x 60w | 25.5 | FT260 |
| | 3 x 60w | 34.0 | FT360 |
| | 4 x 60w | 34.5 | FT460 |

| SPARE PARTS | |
|--------------------------|-----------|
| LAMP HOLDERS | |
| Locking (17/20/32/40w) | FX4060 |
| T5 HO (24/54w) | FX4064 |
| Stationary (35/60w) | FX4004 |
| Spring Loaded (35/60w) | FX4005 |
| Set (one of each) | FX4004SET |
| TERMINAL BLOCK | |
| 2 Pole | FX3001 |
| 4 Pole | CX3070 |
| LENS | |
| FT 2 x 2 Ceiling Fixture | FX2004 |
| FT 2 x 4 Ceiling Fixture | FX2005 |
| BALLASTS - 120VAC | |
| 1 x 17w | FX5173 |
| 2 x 17w | FX5260 |
| 1 X 20w | FX5009 |
| 2 x 20w | FX5001 |
| 1 x 24w | FX5307 |
| 2 x 24w | FX5307 |
| 1 X 32w | FX5173H |
| 2 x 32w | FX5260H |
| 1 X 35w | FX5100 |
| 2 x 35w | FX5027 |
| 1 X 40w | FX5011 |
| 2 x 40w | FX5004 |
| 1 x 54w | FX5305 |
| 2 x 54w | FX5305 |
| 1 X 60w | FX5027 |
| 2 x 60w | FX5027 |

* Approvals pending.

