



FEATURES

- ▼ Table lamp fixture for use with a 150w A-21 medium base incandescent lamp.
- ▼ Robust base in oven-cured polyester powder coated steel.
- ▼ A 1/4" threaded pipe and lock nuts provide permanent table mounting.
- ▼ Decorative appearance with a polished brass center column.
- ▼ Cord and plug are provided as standard.
- ▼ Double pole switch provided as standard.
- ▼ 5 year warranty.

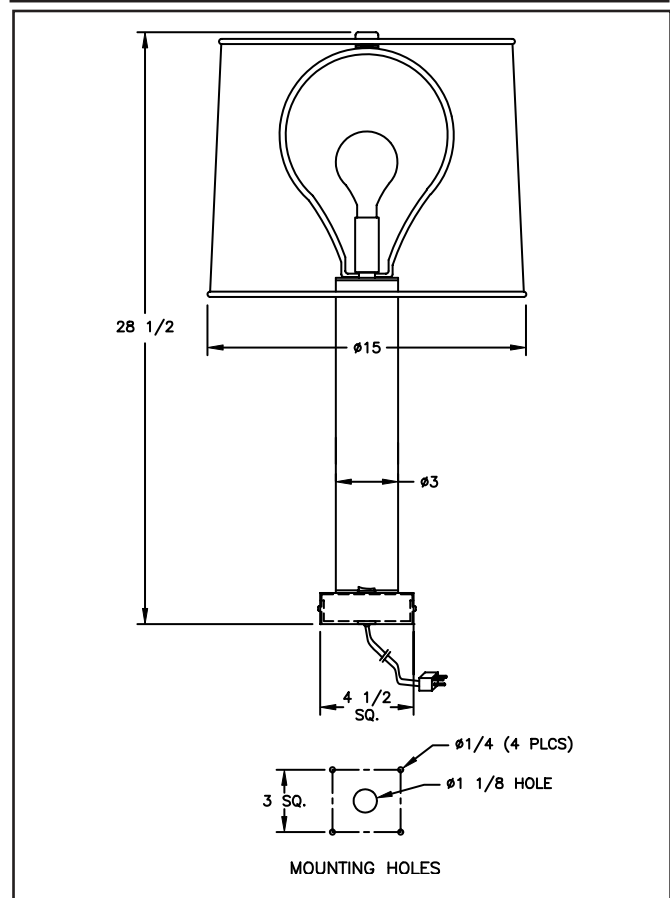
APPROVALS

- ▼ UL 1598A - Marine Inside Type
- ▼ ABS
- ▼ Conforms to IP 20

APPLICATIONS

- ▼ Marine environments
- ▼ Offshore oil and gas platforms
- ▼ Drill ships and exploration vessels
- ▼ Tankers/Military ships
- ▼ Cruise ships/commercial ferries
- ▼ Cabin lighting
- ▼ Table/Desk lighting

DIMENSIONS



Dimensions in inches



INSIDE TYPE INCANDESCENT TABLE LAMP

TECHNICAL SPECIFICATION

CONSTRUCTION

The steel base is polyester powder coated dark bronze. The brass center column is polished with a clear coat protective finish.

CORD

All fixtures are supplied with an 8 foot cord and a NEMA 5-15P plug.

LAMPHOLDER

A medium base lampholder is provided as standard.

MOUNTING

The fixture is designed for table or desk mounting and is supplied with a 1/4" threaded pipe and lock nuts to allow the fixture to be permanently mounted.

OPERATING VOLTAGE

All fixtures are rated to operate on 120v AC.

LAMP TYPE

Fixture is suitable for use with a max 150w A-21 medium base lamp, not supplied.

SHADE

A white polyplastic belque shade with taped edge is supplied as standard.

SWITCH

A double pole switch is provided as standard.

ORDERING REFERENCES

INCANDESCENT LAMP FIXTURE

DESCRIPTION	LAMP SIZE	WEIGHT (lbs)	TYPE
Incandescent Table Lamp	150w max A-21	4.0	1017B

SPARE PARTS

LAMP HOLDERS

Medium base INX4009

SWITCH

Double Pole INX3378

SHADE

White INX8146

LAMP

60w A-19 Incandescent INX3526
 100w A-19 Incandescent INX3528
 150w A-21 Incandescent INX3543

