



FEATURES

- ▼ Round box incandescent or compact fluorescent fixtures complete with angle dome reflector.
- ▼ Choice of corrosion resistant housings in rugged natural heavy wall cast brass or natural copper-free marine-grade cast aluminum.
- ▼ Supplied with a high-impact natural heavy wall cast brass or natural copper-free marine-grade cast aluminum protective guard (except where polycarbonate globes are requested).
- ▼ Wide range of lamp options in 100w-300w incandescent and 13w, 18w, 26w and 32w compact fluorescent in both box types.
- ▼ Choice of colored glass globes available in red, green, blue and yellow as well as frosted types together with polycarbonate versions (supplied without protective guard).
- ▼ Weather tight seal prevents ingress of dirt and moisture into the fixture.
- ▼ 5 year warranty.

APPROVALS

- ▼ UL 1598A - Marine Outside Type Saltwater
- ▼ ABS
- ▼ Conforms to IP 66

APPLICATIONS

- ▼ Marine and wet environments
- ▼ Offshore oil and gas platforms
- ▼ Drill ships and exploration vessels
- ▼ Tankers and cargo ships
- ▼ Drilling rigs
- ▼ Gantry and walkway lighting
- ▼ Deck Lighting

OPTIONS

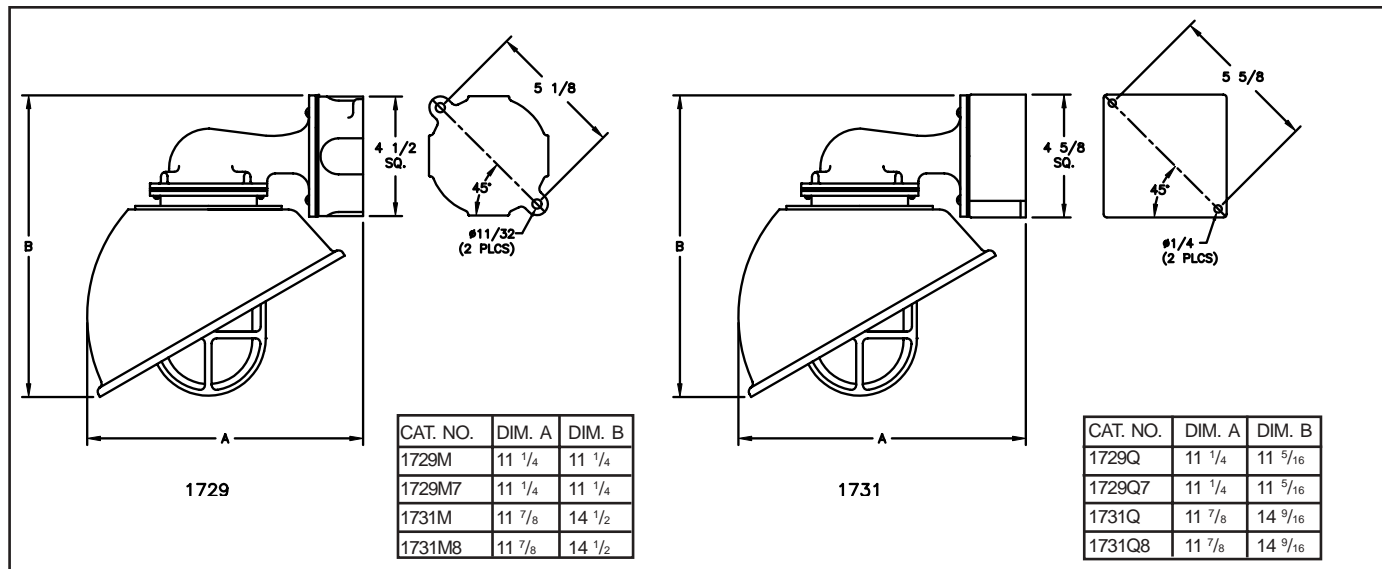
To obtain a fixture with any of the options listed below, please add the following suffix to the part number (not all options can be combined):

- | | |
|--|------|
| ▼ Double Pole Toggle Switch | K |
| ▼ Porcelain Lampholder | P** |
| ▼ Shockproof Lampholder | SP |
| ▼ Terminal Block (4 pole) | T** |
| ▼ Terminal Block (6 pole) | T6** |
| ▼ Frosted Globe | FST |
| ▼ Heat Resistant Clear Glass Globe | HR |
| ▼ Polycarbonate Globe (guard not provided) | PG* |
| ▼ Red Globe | RED |
| ▼ Blue Globe | BLU |
| ▼ Green Globe | GRN |
| ▼ Yellow Globe | YEL |

* 100w incandescent or compact fluorescent.

**Not available with compact fluorescent.

DIMENSIONS



MARINE, OUTSIDE AND CORROSIVE ENVIRONMENTS VAPOR AND WATERTIGHT INCANDESCENT AND COMPACT FLUORESCENT FIXTURES WITH REFLECTORS



TECHNICAL SPECIFICATION

HOUSING

Available in natural heavy wall cast brass or natural copper-free marine-grade cast aluminum.

GUARD

High impact protective guard in natural cast brass or natural copper-free marine-grade cast aluminum supplied with fixture as standard except where polycarbonate globes are requested.

OUTLETS

All units are supplied undrilled although are suitable for up to 1" NPT four way.

GASKETS

One piece silicone gasket provides an effective seal between the lens and housing.

LAMPHOLDER

A phenolic lampholder with a nickel plated copper screw shell is supplied as standard. A porcelain or shockproof lampholder is available as an option.

HARDWARE

Stainless steel.

GLOBE

A clear glass globe is provided as standard. Options include polycarbonate or frosted glass as well as colored in red, blue, green and yellow.

VOLTAGE OPERATION

Fluorescent fixtures are supplied to operate on 120v AC 60Hz as standard. Incandescent fixtures are rated up to 300v AC.

LAMP TYPE

Fixtures will operate 100w, 150w, 200w and 300w incandescent lamps and 13, 18, 26 and 32w compact fluorescent lamps on their 150w versions. Place the appropriate prefix "F" in front of the part number and the suffix required to denote the size. Compact fluorescent fixtures supplied with lamps; incandescent fixtures supplied without lamps.

TERMINAL BLOCK

A four pole or six pole terminal block is available as an option.

REFLECTORS

Fixtures have ABS reflectors available in different sizes for 100-150w and 200-300w, supplied as standard.

ORDERING REFERENCES

INCANDESCENT FIXTURES						SPARE PARTS			
DESCRIPTION	LAMP	BRASS WT (lbs)	BRASS TYPE (B)	ALUMINUM TYPE (A)	BOX DEPTH	GLASS GLOBES	LAMP HOLDERS		
Round Box	100w	11.0	1729BM	1729AM	2"	100w (6") INX2006*	Phenolic INX4000		
Square Box	max	12.0	1729BQ	1729AQ	2 1/4"	150w (7") INX2007*	Porcelain INX4000P		
Round Box	150w	11.0	1729BM7	1729AM7	2"	200w (8") INX2008*	Shockproof INX4000SP		
Square Box	max	12.0	1729BQ7	1729AQ7	2 1/4"	300w (9") INX2009*			
Round Box	200w	14.0	1731BM8	1731AM8	2"	* Add one of the following suffix to the above part number to obtain the globe. Clear HR- HR			
Square Box	max	15.0	1731BQ8	1731AQ8	2 1/4"	Clear - CLR	Green - GRN		
Round Box	300w	14.0	1731BM	1731AM	2"	Frosted - FST	Blue - BLU		
Square Box	max	15.0	1731BQ	1731AQ	2 1/4"	Red - RED	Yellow - YEL		
COMPACT FLUORESCENT FIXTURES Compact fluorescent fixtures are available in 13, 18, 26 and 32w versions. These lamps will fit the corresponding 150w incandescent fixtures. To order your compact fluorescent fixture choose the part number of the similar style incandescent fixture, prefix the number with the letter "F" and select one of the following suffix that denotes your preferred lamp size. 13w - 13 • 18w - 18 • 26w - 26 • 32w - 32 Worked Example: F1729BM7-18 is a round box mounted brass 18w compact fluorescent with a ABS 30° angled reflector and a 2" deep junction box.						TERMINAL BLOCKS 4 pole CX3070 6 pole CX3076		REFLECTORS With Rings (B) BRASS / (A) ALUMINUM 100w/150w INX4539B/A 200w INX4541B/A 300w INX4542B/A	
						BALLAST 120VAC 60Hz 13-32w Compact Fluorescent FX5206			
						LAMPS 100w Incandescent INX3528 150w Incandescent INX3543 200w Incandescent INX3678 300w Incandescent INX3559 13w Compact Fluorescent FX3530 18w Compact Fluorescent FX3552 26w Compact Fluorescent FX3553 32w Compact Fluorescent FX3554			
						DOUBLE POLE SWITCH INX3012		WATERTIGHT SWITCH BOOT GKT8000	
						JUNCTION BOXES (B)BRASS / (A) ALUMINUM Round "J" Box INX6037B/A Square "J" Box INX6057B/A		GUARDS (B)BRASS / (A) ALUMINUM 1729B/AM INX1036B/A 1729B/AQ INX1036B/A 1729B/AM7 INX1037B/A 1729B/AQ7 INX1037B/A 1731B/AM8 INX1038B/A 1731B/AQ8 INX1038B/A 1731B/AM INX1020B/A 1731B/AQ INX1020B/A	
						GASKETS Globe 100w GKT2002SIL Globe 150w GKT2002SIL 200w GKT2009SIL 300w GKT1149SIL Junction Box GKT3000SIL (All fixtures)			