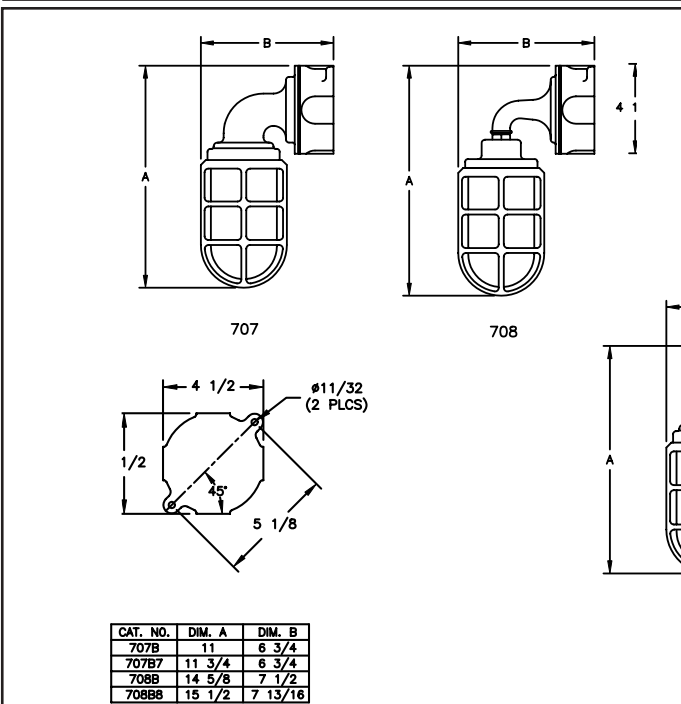




FEATURES

- ▼ Wall and flush mounted versions available.
- ▼ Choice of corrosion resistant housing in rugged natural heavy wall cast brass or natural copper-free marine-grade cast aluminum.
- ▼ Supplied with a high-impact natural heavy web cast brass or natural copper-free marine-grade cast aluminum protective guard (except where polycarbonate globes are requested.)
- ▼ Wide range of lamp options in 100w-300w incandescent and 13w, 18w, 26w and 32w compact fluorescent.
- ▼ Choice of colored glass globes available in red, green, blue and yellow as well as frosted types and polycarbonate versions.
- ▼ Weather tight seal prevents ingress of dirt and moisture into the fixture.
- ▼ 5 year warranty.

DIMENSIONS



APPROVALS

- ▼ UL 1598A - Marine Outside Type Saltwater
- ▼ ABS
- ▼ Conforms to IP 66

APPLICATIONS

- ▼ Marine and wet environments
- ▼ Offshore oil and gas platforms
- ▼ Drill ships and exploration vessels
- ▼ Tankers and cargo ships
- ▼ Drilling rigs
- ▼ Gantry and walkway lighting
- ▼ Deck lighting

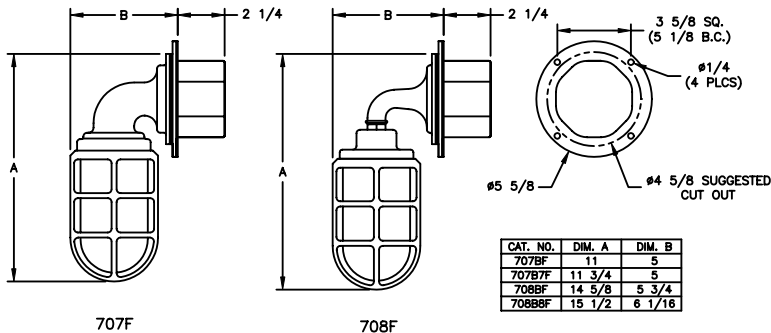
OPTIONS

To obtain a fixture with any of the options listed below, please add the following suffix to the part number (not all options can be combined):

- ▼ Double Pole Toggle Switch (Not for Flush Box) K
- ▼ Porcelain Lampholder P*
- ▼ Shockproof Lampholder SP
- ▼ Terminal Block (4 pole) T*
- ▼ Terminal Block (6 pole) T6*
- ▼ Frosted Globe FST
- ▼ Polycarbonate Globe (guard not provided) PG**
- ▼ Red Globe RED
- ▼ Blue Globe BLU
- ▼ Green Globe GRN
- ▼ Yellow Globe YEL
- ▼ Heat Resistant Clear Glass Globe HR
- ▼ 277v 60Hz (compact fluorescent only) -276

* Not for use with compact fluorescent.

** 100w incandescent and compact fluorescent only.



MARINE, OUTSIDE AND CORROSIVE ENVIRONMENTS VAPOR AND WATERTIGHT INCANDESCENT AND COMPACT FLUORESCENT WALL MOUNT FIXTURES



TECHNICAL SPECIFICATION

HOUSING

Available in heavy natural wall cast brass or natural copper-free marine-grade cast aluminum.

GUARD

High impact protective guard in natural cast brass or natural copper-free marine-grade cast aluminum supplied with fixture as standard except where polycarbonate globes are requested.

OUTLETS

All units are supplied undrilled although are suitable for up to 1" NPT four way.

GASKETS

One piece silicone gasket provides an effective seal between the lens and housing.

LAMPHOLDER

A phenolic lampholder with a nickel plated copper screw shell is supplied as standard. A porcelain or shockproof lampholder is also available as an option.

HARDWARE

Stainless steel.

GLOBE

A clear glass globe is provided as standard. Options include polycarbonate or frosted glass as well as colored in red, blue, green and yellow.

BALLAST

All fluorescent fixtures are supplied complete with ballasts rated to operate on 120v AC 60Hz as standard. Other options include 277v 60Hz. Incandescent fixtures are rated to 300v AC.

LAMP TYPE

Incandescent fixture will operate 100w, 150w, 200w and 300w lamps. Fixtures will operate 13w, 18w, 26w and 32w compact fluorescent lamps on their 150w versions. Place the appropriate prefix "F" in front of the part number and the suffix required to denote the size. Compact fluorescent lamps are supplied; incandescent fixtures are supplied without lamps.

TERMINAL BLOCK

A four pole or six pole terminal block is available as an option.

ORDERING REFERENCES

INCANDESCENT FIXTURES						SPARE PARTS	
DESCRIPTION	LAMP SIZE	BRASS WT (lbs)	BRASS (B)	ALUMINUM (A)	BOX DEPTH	GLASS GLOBES	GUARDS (B) BRASS / (A) ALUMINUM
Wall Mount	100w max	7.0	707B	707A	2"	100w (6") INX2006*	100w INX1036B/A
Wall Mount	150w max	7.0	707B7	707A7	2"	150w (7") INX2007*	150w INX1037B/A
Wall Mount	200w max	10.25	708B8	708A8	2"	200w (8") INX2008*	200w INX1038B/A
Wall Mount	300w max	10.25	708B	708A	2"	300w (9") INX2009*	300w INX1020B/A
Flush Mount	100w max	8.25	707BF	707AF	2 3/8"	* Add one of the following suffix to the above part number to obtain the globe. Clear HR - HR Clear - CLR Green - GRN Frosted - FST Red - RED Yellow - YEL Blue - BLU	
Flush Mount	150w max	8.25	707BF7	707AF7	2 3/8"		
Flush Mount	200w max	11.25	708BF8	708AF8	2 3/8"		
Flush Mount	300w max	11.25	708BF	708AF	2 3/8"		
COMPACT FLUORESCENT FIXTURES						JUNCTION BOXES (B) BRASS / (A) ALUMINUM	
Compact fluorescent fixtures are available in 13, 18, 26 and 32w versions. These lamps will fit the corresponding 150w incandescent fixtures. To order your compact fluorescent fixture choose the part number of the similar style incandescent fixture, prefix the number with the letter "F" and select one of the following suffix that denotes your preferred lamp size. 13w - 13 • 18w - 18 • 26w - 26 • 32w - 32 Worked Example: F707BF7-18 is a flush mounted brass 18w compact fluorescent with a 2 3/8" deep junction box.						Wall Mounted Types	Flush Bracket Mount Type
						INX6037B/A	INX6055B/A
						(One type fits all units)	
						BALLAST 120VAC 60Hz 13-32w Compact Fluorescent FX5206	
						TERMINAL BLOCKS 4 pole CX3070 6 pole CX3076	DOUBLE POLE TOGGLE SWITCH INX3012
						LAMPHOLDERS Phenolic INX4000 Porcelain INX4000P Shockproof INX4000SP	WATERTIGHT SWITCH BOOT GKT8000
						GLOBE GASKETS Globe 100w GKT2002SIL Globe 150w GKT2002SIL Globe 200w GKT2009SIL Globe 300w GKT1149SIL Junction Box GKT3000SIL (All fixtures) Flush Box GKT3005 Flange	LAMPS 100w Incandescent INX3528 150w Incandescent INX3543 200w Incandescent INX3678 300w Incandescent INX3559 13w Compact Fluorescent FX3530 18w Compact Fluorescent FX3552 26w Compact Fluorescent FX3553 32w Compact Fluorescent FX3554

