



FEATURES

- ▼ Bulkhead (707), Ceiling (717) and Pendant mount (727) versions available.
- ▼ Choice of corrosion resistant housing in rugged natural heavy wall cast brass or natural copper-free marine-grade cast aluminum.
- ▼ Supplied with a high-impact natural heavy web cast brass or natural copper-free marine-grade cast aluminum protective guard.
- ▼ Suitable for use with lamps up to 150w A-21 maximum.
- ▼ Round or square mounting boxes available on ceiling (717) or bulkhead (707) fixtures.
- ▼ Weather tight seal prevents ingress of dirt and moisture into the fixture.
- ▼ 5 year warranty.

APPROVALS

- ▼ UL 844 - Hazardous Locations
Class I Division 2 Groups A, B, C & D
Class I Zone 2 Groups IIA, IIB, IIB + H2 and IIC
- ▼ UL 1598A - Marine Outside Type Saltwater
- ▼ Type 4X
- ▼ CSA
- ▼ ABS
- ▼ Temperature rating T2D
- ▼ Conforms to IP 66

APPLICATIONS

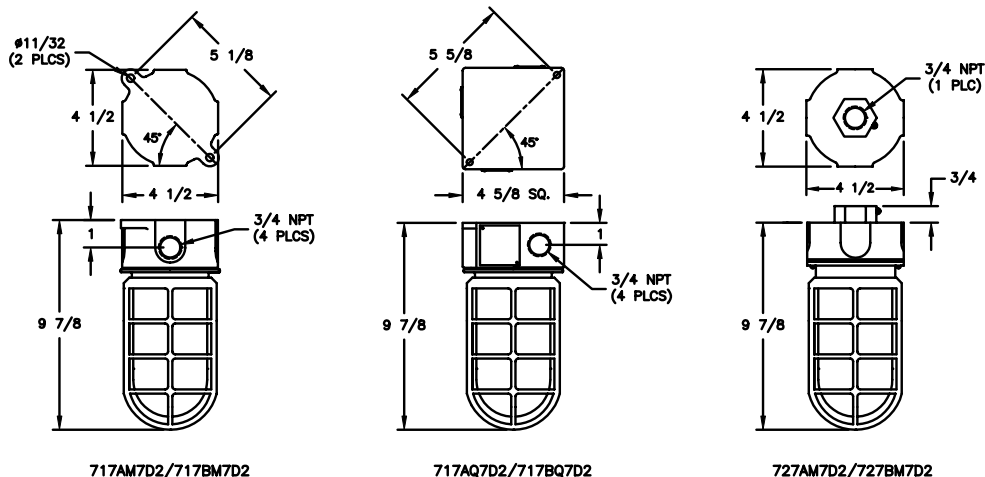
- ▼ Hazardous locations
- ▼ Marine and wet environments
- ▼ Offshore oil and gas platforms
- ▼ Drill ships and exploration vessels
- ▼ Tankers and cargo ships
- ▼ Drilling rigs
- ▼ Gantry and walkway lighting
- ▼ Deck lighting

OPTIONS

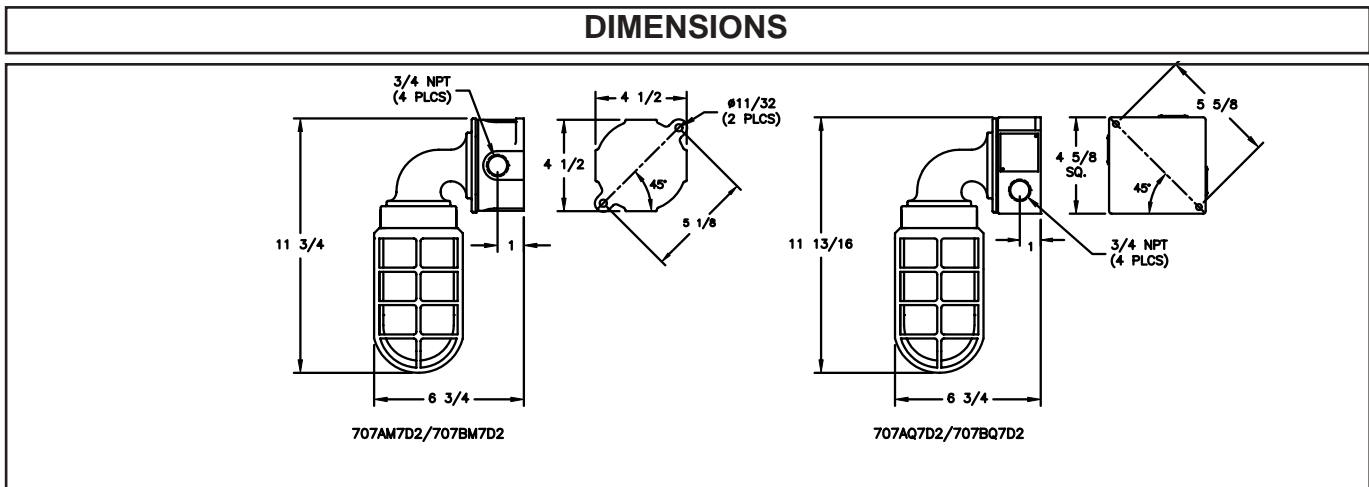
To obtain a fixture with any of the options listed below, please add the following suffix to the part number (not all options can be combined):

- | | |
|------------------------------------|----|
| ▼ Shockproof lampholder | SP |
| ▼ Fluted Globe | J |
| ▼ Heat Resistant Clear Glass Globe | HR |

DIMENSIONS



HAZARDOUS LOCATIONS CLASS 1 DIVISION 2 INCANDESCENT CEILING, PENDANT AND WALL MOUNT FIXTURES



Dimensions in inches

TECHNICAL SPECIFICATION

HOUSING

Available in a natural heavy wall cast brass or natural copper-free marine-grade cast aluminum.

GUARD

High impact protective guard in natural cast brass or natural copper-free marine-grade cast aluminum supplied with fixture as standard.

OUTLETS

All junction box units are supplied drilled and tapped with four 3/4" NPT outlets and three plugs.

GASKETS

One piece silicone gasket provides an effective seal between the lens and housing.

HARDWARE

Stainless steel.

LAMPHOLDER

A phenolic lampholder with a nickel plated copper screw shell is supplied as standard. A shockproof lampholder is also available on request.

LAMP TYPE

The fixture is suitable for lamps up to 150w A-21 maximum. All fixtures are supplied without lamps.

GLOBE

A clear glass globe is provided as standard. An optional fluted globe is available on request.

TERMINAL BLOCK

A four pole terminal block is supplied as standard and housed in the junction box of each fixture.

ORDERING REFERENCES

HAZARDOUS LOCATION INCANDESCENT FIXTURES					SPARE PARTS	
DESCRIPTION	MAX LAMP SIZE	BRASS WEIGHT (lbs)	BRASS TYPE (B)	ALUMINUM TYPE (A)		
Ceiling mount with round junction box	150w A-21	6.3	717BM7D2	717AM7D2	LAMP HOLDERS Standard Phenolic	INX4000
Ceiling mount with square junction box	150w A-21	7.5	717BQ7D2	717AQ7D2	Shockproof	INX4000SP
Bulkhead mount with round junction box	150w A-21	7.8	707BM7D2	707AM7D2	GUARD Brass	INX1037B/SCR
Bulkhead mount with square junction box	150w A-21	7.8	707BQ7D2	707AQ7D2	Aluminum	INX1037A/SCR
Pendant mount	150w A-21	6.5	727BM7D2	727AM7D2	GLOBE Clear	INX2007CLR
					Fluted	INX2142CP
					Heat Resistant	INX2007HR
					LAMP 150w A-21	INX3558
					TERMINAL BLOCK 4 pole	CX3070
					GASKETS Globe	GKT2002SIL
					Junction Box	GKT3000SIL

