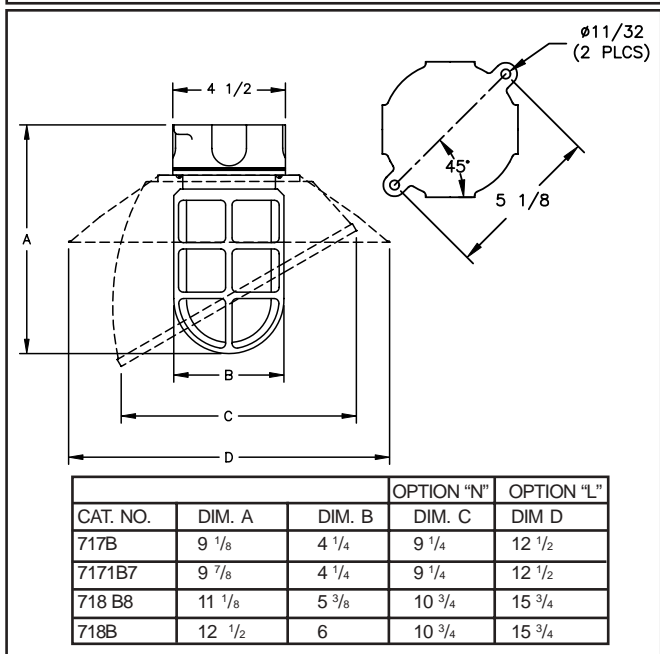




## FEATURES

- ▼ Round box or square box incandescent or compact fluorescent fixtures.
- ▼ Choice of corrosion resistant housings in rugged natural heavy wall cast brass or natural copper-free marine-grade cast aluminum.
- ▼ Supplied with a high-impact natural heavy web cast brass or natural copper-free marine-grade cast aluminum protective guard (except where polycarbonate globes are requested).
- ▼ Wide range of lamp options in 100w-300w incandescent or 13w, 18w, 26w and 32w compact fluorescent.
- ▼ Choice of colored glass globes available in red, green, blue and yellow as well as frosted types and polycarbonate versions.
- ▼ Weather tight seal prevents ingress of dirt and moisture into the fixture.
- ▼ Available with optional shallow dome or angle reflector.
- ▼ 5 year warranty.

## DIMENSIONS



Dimensions in inches

## APPROVALS

- ▼ UL 1598A - Marine Outside Type Saltwater
- ▼ ABS
- ▼ Conforms to IP 66

## APPLICATIONS

- ▼ Marine and wet environments
- ▼ Offshore oil and gas platforms
- ▼ Drill ships and exploration vessels
- ▼ Tankers and cargo ships
- ▼ Drilling rigs
- ▼ Gantry and walkway lighting
- ▼ Deck lighting

## OPTIONS

To obtain a fixture with any of the options listed below, please add the following suffix to the part number (not all options can be combined):

- ▼ Double Pole Toggle Switch K
- ▼ Porcelain Lampholder P\*
- ▼ Shockproof Lampholder SP
- ▼ Terminal Block (4 pole) T\*
- ▼ Terminal Block (6 pole) T6\*
- ▼ Heat Resistant Clear Glass Globe HR
- ▼ Frosted Globe FST
- ▼ Polycarbonate Globe (guard not provided) PG\*\*
- ▼ Red Globe RED
- ▼ Blue Globe BLU
- ▼ Green Globe GRN
- ▼ Yellow Globe YEL
- ▼ Shallow Dome Reflector L
- ▼ Angle Dome Reflector N

\* Not available with compact fluorescent.

\*\* 100w incandescent or compact fluorescent only.

## COMPACT FLUORESCENT FIXTURES

Compact fluorescent fixtures are available in 13, 18, 26 and 32w versions. These lamps will fit the corresponding 150w incandescent fixtures. To order your compact fluorescent fixture choose the part number of the similar style incandescent fixture, prefix the number with the letter "F" and select one of the following suffix that denotes your preferred lamp size.

13w - 13 • 18w - 18 • 26w - 26 • 32w - 32

Worked Example: F717B7-18 is a round box mounted brass 18w compact fluorescent.

# MARINE, OUTSIDE AND CORROSIVE ENVIRONMENTS VAPOR AND WATERTIGHT INCANDESCENT AND COMPACT FLUORESCENT CEILING MOUNT FIXTURES



## TECHNICAL SPECIFICATION

### HOUSING

Available in heavy natural wall cast brass or natural copper-free marine-grade cast aluminum.

### GUARD

High impact protective guard in natural cast brass or natural copper-free marine-grade cast aluminum supplied with fixture as standard except where polycarbonate globes are requested.

### OUTLETS

All units are supplied undrilled although are suitable for up to 1" NPT four way.

### GASKETS

One piece silicone gasket provides an effective seal between the lens and base.

### LAMPHOLDER

A phenolic lampholder with a nickel plated copper screw shell is supplied as standard. A porcelain or shockproof lampholder is also available as an option.

### HARDWARE

Stainless steel.

### VOLTAGE OPERATION

Fluorescent fixtures are supplied to operate on 120v AC 60Hz as standard. Incandescent fixtures are rated to 300v AC.

### LAMP TYPE

Fixture will operate 100w, 150w, 200w and 300w lamps. All incandescent fixtures are supplied without lamps. Compact fluorescent versions will operate 13w, 18w, 26w and 32w compact fluorescent lamps on their 150w versions. Compact fluorescent versions are supplied with lamps. Place the appropriate prefix "F" in front of the part number and the suffix required to denote the size.

### TERMINAL BLOCK

A four pole or six pole terminal block is available as an option.

### GLOBE

A clear glass globe is provided as standard. Options include polycarbonate or frosted glass as well as colored in red, blue, green and yellow. See options for details of codes.

## ORDERING REFERENCES

INCANDESCENT FIXTURES						SPARE PARTS	
DESCRIPTION	LAMP SIZE	BRASS WT (lbs)	BRASS (B)	ALUMINUM (A)	BOX DEPTH		
Round Box Mount	100w max	8.5	717B	717A	2"	<b>GLASS GLOBES</b> 100w (6") INX2006* 150w (7") INX2007* 200w (8") INX2008* 300w (9") INX2009*	
Round Box Mount	150w max	8.5	717B7	717A7	2"	* Add one of the following suffix to the above part number to obtain the globe. Clear - CLR Green - GRN Frosted - FST Red - RED Yellow - YEL Blue - BLU Clear HR - HR	
Round Box Mount	200w max	10.5	718B8	718A8	2"	<b>TERMINAL BLOCKS</b> 4 pole CX3070 6 pole CX3076	
Round Box Mount	300w max	10.5	718B	718A	2"	<b>REFLECTORS</b> with Ring (B)Brass / (A) Aluminum Shallow Dome 100w/150w INX4544* 200w INX4545B/A 300w INX4546B/A	
Square Box Mount	100w max	7.25	717BQ	717AQ	2"	<b>LAMP HOLDERS</b> Phenolic INX4000 * no ring Porcelain INX4000P Angle Dome Shockproof INX4000SP 100w/150w INX4539B/A 200w INX4541B/A 300w INX4542B/A	
Square Box Mount	150w max	7.25	717BQ7	717AQ7	2"	<b>BALLAST 120VAC 60Hz</b> 13-32w Compact Fluorescent FX5206	
Square Box Mount	200w max	10.25	718BQ8	718AQ8	2"	<b>LAMPS</b> 100w Incandescent INX3528 150w Incandescent INX3543 200w Incandescent INX3678 300w Incandescent INX3559 13w Compact Fluorescent FX3530 18w Compact Fluorescent FX3552 26w Compact Fluorescent FX3553 32w Compact Fluorescent FX3554	
Square Box Mount	300w max	10.25	718BQ	718AQ	2"	<b>DOUBLE POLE TOGGLE SWITCH</b> INX3012 <b>WATERTIGHT SWITCH BOOT</b> GKT8000	
<b>JUNCTION BOXES (B) BRASS/(A) ALUMINUM</b> 717B/A INX6037B/A 717B/A7 INX6037B/A 718B/A8 INX6037B/A 718B/A INX6037B/A		<b>GUARDS (B) BRASS/(A) ALUMINUM</b> 717B/A INX1036B/A 717B/A7 INX1037B/A 718B/A8 INX1038B/A 718B/A INX1020B/A		<b>GASKETS</b> Globe 100w GKT2002SIL Globe 150w GKT2002SIL Globe 200w GKT2009SIL Globe 300w GKT1149SIL Junction Box GKT3000SIL (All fixtures)			

