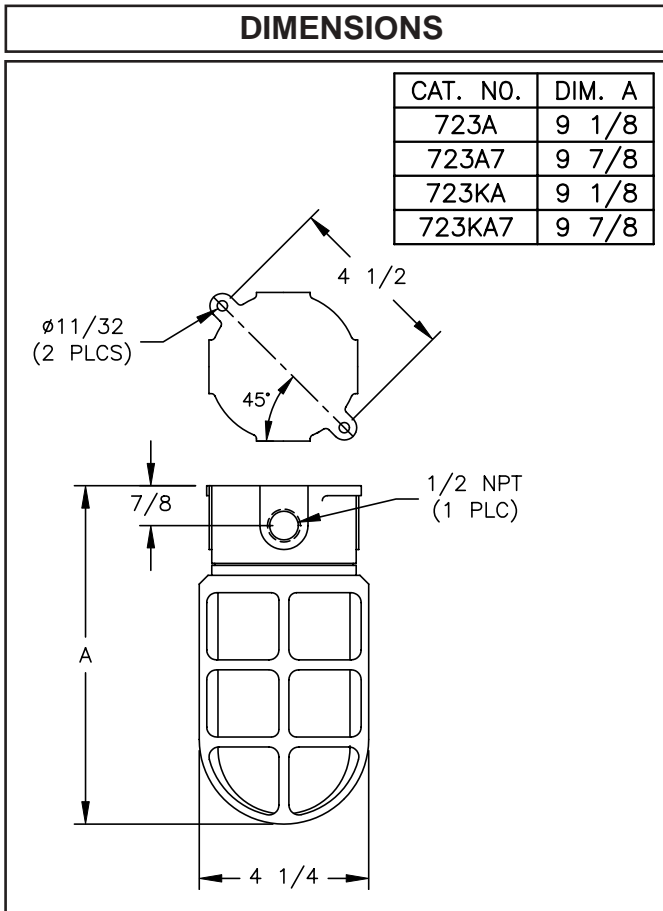




FEATURES

- ▼ Surface ceiling mount fixture with a choice of 100w or 150w incandescent lamps.
- ▼ Choice of corrosion resistant housings in rugged natural heavy wall cast brass or natural copper-free marine-grade cast aluminum.
- ▼ Supplied with a high-impact natural heavy web cast brass or natural copper-free marine-grade cast aluminum protective guard (except where polycarbonate globes are requested).
- ▼ Supplied with clear glass globe as standard with a choice of colored lens in yellow, green, red and blue.
- ▼ 5 year warranty.

DIMENSIONS



Dimensions in inches

APPROVALS

- ▼ UL 1598A - Marine Outside Type Saltwater
- ▼ ABS
- ▼ Conforms to IP 66

APPLICATIONS

- ▼ Marine and wet environments
- ▼ Offshore oil and gas platforms
- ▼ Drill ships and exploration vessels
- ▼ Tankers
- ▼ Gantry and walkway lighting

OPTIONS

To obtain a fixture with any of the options listed below, please add the following suffix to the part number (not all options can be combined):

- ▼ Porcelain Lampholder P
- ▼ Shockproof Lampholder SP
- ▼ Double Pole Toggle Switch K
- ▼ Terminal Block (4 pole) T
- ▼ Terminal Block (6 pole) T6
- ▼ Frosted Globe FST
- ▼ Polycarbonate Globe (guard not provided) PG*
- ▼ Red Globe RED
- ▼ Blue Globe BLU
- ▼ Green Globe GRN
- ▼ Yellow Globe YEL
- ▼ Heat Resistant Clear Glass Globe HR

* 100w incandescent only.

MARINE, OUTSIDE AND CORROSIVE ENVIRONMENTS VAPOR AND WATERTIGHT INCANDESCENT CEILING MOUNT FIXTURE



TECHNICAL SPECIFICATION

HOUSING

Available in natural heavy wall cast brass or natural copper-free marine-grade cast aluminum.

GUARD

High impact protective guard in natural cast brass or natural copper-free marine-grade cast aluminum supplied with fixture as standard except where polycarbonate globes are requested.

OUTLETS

All units are supplied drilled and tapped with one 1/2" NPT outlet as standard. Other drilling and tapping options up to a maximum of 3/4" NPT four way available.

LAMPHOLDER

A phenolic lampholder with a nickel plated copper screw shell is supplied as standard.

OPERATING VOLTAGE

All fixtures are rated up to 300v AC.

LAMP TYPE

The fixture is suitable for lamps of 100w or 150w incandescent. All fixtures are supplied without lamps.

GLOBE

A clear glass globe is provided as standard in 6" for 100w fixtures and 7" for 150w. Colored globes are available in red, blue, green and yellow.

SWITCH

A double pole toggle switch with a watertight boot is available as an option.

GASKETS

One piece silicone gasket provides an effective seal between the lens and housing.

ORDERING REFERENCES

INCANDESCENT FIXTURES				
DESCRIPTION	LAMP SIZE	BRASS WEIGHT (lbs)	BRASS TYPE (B)	ALUMINUM TYPE (A)
Incandescent	100w max	4.75	723B	723A
Incandescent	150w max	4.75	723B7	723A7

SPARE PARTS	
LAMPHOLDERS	
Phenolic	INX4000
Porcelain	INX4000P
Shockproof	INX4000SP
GUARDS	
6" 100w Fixtures	Brass INX1036B Aluminum INX1036A
7" 150w Fixtures	Brass INX1037B Aluminum INX1037A
GLOBES	
6" 100w FIXTURES	
Clear	INX2006CLR
Green	INX2006GRN
Blue	INX2006BLU
Red	INX2006RED
Yellow	INX2006YEL
Frosted	INX2006FST
Clear HR	INX2006HR
7" 150w Fixtures	
Clear	INX2007CLR
Green	INX2007GRN
Blue	INX2007BLU
Red	INX2007RED
Yellow	INX2007YEL
Frosted	INX2007FST
Clear HR	INX2007HR
LAMP	
100w A-19	INX3528
150w A-21	INX3543
GASKETS	
Globe	GKT2002SIL
Junction Box	GKT2003SIL
DOUBLE POLE TOGGLE SWITCH	
	INX3012
WATERTIGHT SWITCH BOOT	
	GKT8000

