



FEATURES

- ▼ Bracket and bracket flush mount versions available.
- ▼ Choice of corrosion resistant housings in rugged natural heavy wall cast brass or natural copper-free marine-grade cast aluminum.
- ▼ Supplied with a high-impact natural heavy web cast brass or natural copper-free marine-grade cast aluminum protective guard (except where polycarbonate globes are requested).
- ▼ Wide range of lamp options in 100w-300w incandescent and 13w, 18w, 26w and 32w compact fluorescent.
- ▼ Choice of colored glass globes available in red, green, blue and yellow as well as frosted types together with polycarbonate versions.
- ▼ Weather tight seal prevents ingress of dirt and moisture into the fixture.
- ▼ 5 year warranty.

APPROVALS

- ▼ UL 1598A - Marine Outside Type Saltwater
- ▼ ABS
- ▼ Conforms to IP 66

APPLICATIONS

- ▼ Marine and wet environments
- ▼ Offshore oil and gas platforms
- ▼ Drill ships and exploration vessels
- ▼ Tankers and cargo ships
- ▼ Drilling rigs
- ▼ Gantry and walkway lighting
- ▼ Deck lighting

OPTIONS

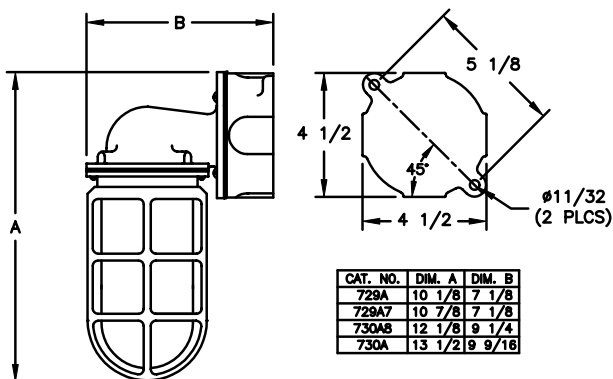
To obtain a fixture with any of the options listed below, please add the following suffix to the part number (not all options can be combined):

- ▼ Double Pole Toggle Switch (Not for Flush Box) K
- ▼ Porcelain Lampholder P*
- ▼ Shockproof Lampholder SP
- ▼ Terminal Block (4 pole) T*
- ▼ Terminal Block (6 pole) T6*
- ▼ Frosted Globe FST
- ▼ Heat Resistant Clear Glass Globe HR
- ▼ Polycarbonate Globe (guard not provided) PG**
- ▼ Red Globe RED
- ▼ Blue Globe BLU
- ▼ Green Globe GRN
- ▼ Yellow Globe YEL
- ▼ 277v 60Hz (compact fluorescent only) -276

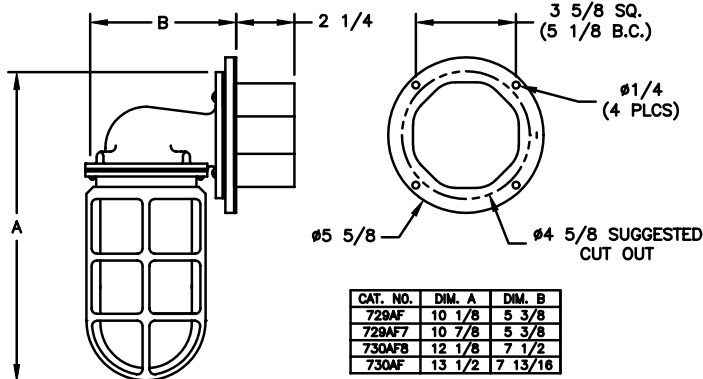
* Not available with compact fluorescent.

** 100w incandescent or compact fluorescent.

DIMENSIONS



729A & 730A



729AF & 730AF

MARINE, OUTSIDE AND CORROSIVE ENVIRONMENTS VAPOR AND WATERTIGHT INCANDESCENT AND COMPACT FLUORESCENT WALL MOUNT FIXTURES



TECHNICAL SPECIFICATION

HOUSING

Available in natural heavy wall cast brass or natural copper-free marine-grade cast aluminum.

GUARD

High impact protective guard in natural cast brass or natural copper-free marine-grade cast aluminum supplied with fixture as standard except where polycarbonate globes are requested.

OUTLETS

All units are supplied undrilled although are suitable for up to 1" NPT four way.

GASKETS

One piece silicone gasket provides an effective seal between the lens and housing.

LAMPHOLDER

A phenolic lampholder with a nickel plated copper screw shell is supplied as standard. A porcelain or shockproof lampholder is also available as an option.

HARDWARE

Stainless steel.

GLOBE

A clear glass globe is provided as standard. Options include polycarbonate or frosted glass as well as colored in red, blue, green and yellow. See options for details of codes.

BALLAST

All fluorescent fixtures are supplied complete with ballasts rated to operate on 120v AC 60Hz as standard. Other options include 277v 60Hz. Incandescent fixtures are rated to 300v AC.

LAMP TYPE

Fixtures will operate 100w, 150w, 200w and 300w incandescent lamps. Fluorescent fixtures will operate 13w, 18w, 26w and 32w compact fluorescent lamps on their 150w versions. Place the prefix "F" in front of the part number and the suffix required to denote the size. Compact fluorescent fixtures are supplied with lamps; incandescent fixtures are supplied without lamps.

TERMINAL BLOCK

A four pole or six pole terminal block is available as an option.

ORDERING REFERENCES

INCANDESCENT FIXTURES						SPARE PARTS	
DESCRIPTION	LAMP SIZE	BRASS WEIGHT (lbs)	BRASS (B)	ALUMINUM (A)	BOX DEPTH		
Bracket Mount	100w max	8.0	729B	729A	2"	GLASS GLOBES	GUARDS (B) BRASS / (A) ALUMINUM
Bracket Mount	150w max	8.5	729B7	729A7	2"	100w (6") INX2006*	100w INX1036B/A
Bracket Mount	200w max	10.5	730B8	730A8	2"	150w (7") INX2007*	150w INX1037B/A
Bracket Mount	300w max	10.5	730B	730A	2"	200w (8") INX2008*	200w INX1038B/A
Bracket Flush Mount	100w max	9.3	729BF	729AF	2 3/8"	300w (9") INX2009*	300w INX1020B/A
Bracket Flush Mount	150w max	9.25 lbs	729BF7	729AF7	2 3/8"	* Add one of the following suffix to the above part number to obtain the globe. Clear HR - HR Clear - CLR Green - GRN Frosted - FST Red - RED Yellow - YEL Blue - BLU	
Bracket Flush Mount	200w max	11.75 lbs	730BF8	730AF8	2 3/8"	JUNCTION BOXES (B) BRASS / (A) ALUMINUM	
Bracket Flush Mount	300w max	11.75 lbs	730BF	730AF	2 3/8"	Wall Mounted Types	Flush Bracket Mount Type
						INX6037B/A	INX6055B/A (One type fits all units)
						BALLAST 120VAC 60Hz	
						13-32w Compact Fluorescent	FX5206
						TERMINAL BLOCKS	
						4 pole	CX3070
						6 pole	CX3076
						DOUBLE POLE TOGGLE SWITCH	LAMP HOLDERS
						Switch INX3012	Phenolic INX4000
						WATERTIGHT SWITCH BOOT	Porcelain INX4000P
							Shockproof INX4000SP
						LAMPS	
						100w incandescent	INX3528
						150w incandescent	INX3543
						200w incandescent	INX3678
						300w incandescent	INX3559
						13w compact fluorescent	FX3530
						18w compact fluorescent	FX3530
						26w compact fluorescent	FX3552
						32w compact fluorescent	FX3554

COMPACT FLUORESCENT FIXTURES

Compact fluorescent fixtures are available in 13, 18, 26 and 32w versions. These lamps will fit the corresponding 150w incandescent fixtures. To order your compact fluorescent fixture choose the part number of the similar style incandescent fixture, prefix the number with the letter "F" and select one of the following suffix that denotes your preferred lamp size.
13w - 13 • 18w - 18 • 26w - 26 • 32w - 32
Worked Example: F729B7-18 is a bracket mounted brass 18w compact fluorescent with a 2" deep junction box.

GLOBE GASKETS

Globe 100w GKT2002SIL
Globe 150w GKT2002SIL
Globe 200w GKT2009SIL
Globe 300w GKT1149SIL
Junction Box GKT3000SIL
(All fixtures)

