



FEATURES

- ▼ Wall bracket mount fixture.
- ▼ Choice of corrosion resistant housings in rugged natural heavy wall cast brass or natural copper-free marine-grade cast aluminum.
- ▼ Supplied with a high-impact natural heavy web cast brass or natural copper-free marine-grade cast aluminum protective guard (except where polycarbonate globes are requested).
- ▼ Lamp options in 100w or 150w incandescent
- ▼ Supplied with clear high impact lens as standard with a choice of colored lens in yellow, green, red, blue or frosted.
- ▼ 5 year warranty.

APPROVALS

- ▼ UL 1598A - Marine Outside Type Saltwater
- ▼ ABS
- ▼ Conforms to IP 66

APPLICATIONS

- ▼ Marine and wet environments
- ▼ Offshore oil and gas platforms
- ▼ Drill ships and exploration vessels
- ▼ Tankers
- ▼ Deck Lighting
- ▼ Gantry and walkway lighting

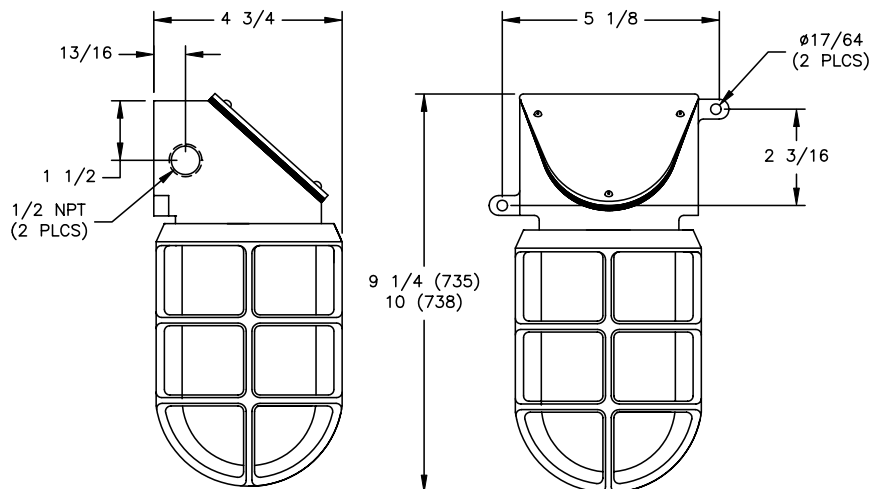
OPTIONS

To obtain a fixture with any of the options listed below, please add the following suffix to the part number (not all options can be combined):

- | | |
|--|-----|
| ▼ Porcelain Lampholder | P |
| ▼ Shockproof Lampholder | SP |
| ▼ Double Pole Toggle Switch | K |
| ▼ Red Globe | RED |
| ▼ Blue Globe | BLU |
| ▼ Green Globe | GRN |
| ▼ Yellow Globe | YEL |
| ▼ Frosted Globe | FST |
| ▼ Polycarbonate Globe (guard not provided) | PG* |
| ▼ Heat Resistant Clear Glass Globe | HR |
| ▼ Terminal Block 4 Pole | T |

* 100w incandescent only.

DIMENSIONS



MARINE, OUTSIDE AND CORROSIVE ENVIRONMENTS VAPOR AND WATERTIGHT INCANDESCENT WALL MOUNT FIXTURES



TECHNICAL SPECIFICATION

HOUSING

Available in heavy natural wall cast brass or natural copper-free marine-grade cast aluminum.

GUARD

High impact protective guard in natural cast brass or natural copper-free marine-grade cast aluminum supplied with fixture as standard except where polycarbonate globes are requested.

OUTLETS

All units are supplied drilled and tapped with two 1/2" NPT outlet as standard with one plugged.

GASKETS

One piece silicone gasket provides an effective seal between the lens and housing.

LAMPHOLDER

A phenolic lampholder with a nickel plated copper screw shell is supplied as standard. A porcelain or shockproof lampholder is available as an option.

HARDWARE

Stainless steel.

VOLTAGE OPERATION

All fixtures are rated up to 300v AC.

LAMP TYPE

The fixtures operate either a 100w or 150w incandescent lamp available separately. Fixtures are supplied without lamps.

GLOBE

A clear glass globe is provided as standard. Colored globes are available in red, blue, green, yellow, frosted glass and polycarbonate.

SWITCH

A double toggle switch and a watertight boot is available as an option.

ORDERING REFERENCES

INCANDESCENT FIXTURES

DESCRIPTION	LAMP SIZE	BRASS WEIGHT	BRASS TYPE (B)	ALUMINUM TYPE (A)
Wall Bracket Mount	100w max A-19	6.25 lbs	735B	735A
Wall Bracket Mount	150w max A-21	6.25 lbs	738B	738A

SPARE PARTS

LAMPHOLDERS

Phenolic	INX4000
Porcelain	INX4000P
Shockproof	INX4000SP

GUARDS

6" 100w Fixtures	Brass	INX1036B
	Aluminum	INX1036A
7" 150w Fixtures	Brass	INX1037B
	Aluminum	INX1037A

GLASS GLOBES

6" 100w FIXTURES

Clear	INX2006CLR
Green	INX2006GRN
Blue	INX2006BLU
Red	INX2006RED
Yellow	INX2006YEL
Frosted	INX2006FST
Clear HR	INX2006HR

7" 150w Fixtures

Clear	INX2007CLR
Green	INX2007GRN
Blue	INX2007BLU
Red	INX2007RED
Yellow	INX2007YEL
Frosted	INX2007FST
Clear HR	INX2007HR

LAMP		
100w A-19		INX3528
150w A-21		INX3543

GASKETS	Globe	GKT2002SIL
	Cover	GKT6019

DOUBLE POLE TOGGLE SWITCH	INX3012
---------------------------	---------

WATERTIGHT SWITCH BOOT	GKT8000
------------------------	---------

TERMINAL BLOCK	
4 Pole	CX3070

