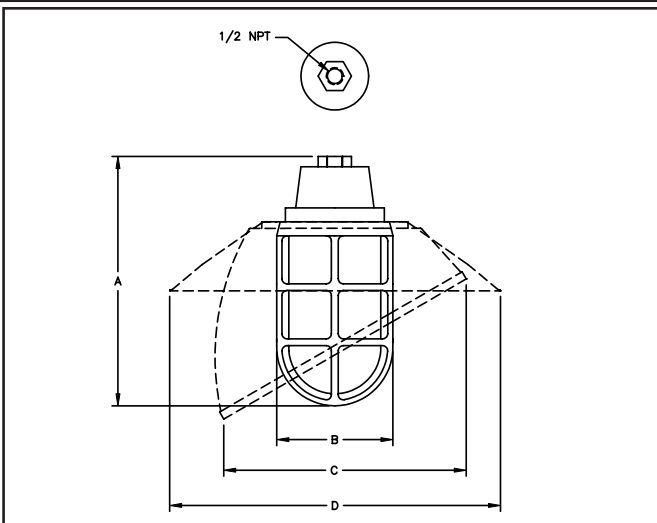




FEATURES

- ▼ Pendant mount incandescent fixtures.
- ▼ Choice of corrosion resistant housings in rugged natural heavy wall cast brass or natural copper-free marine-grade cast aluminum.
- ▼ Supplied with a high-impact natural heavy web cast brass or natural copper-free marine-grade cast aluminum protective guard (except where polycarbonate globes are requested).
- ▼ Wide range of lamp options in 100w max, 150w max, 200w max and 300w max incandescent.
- ▼ Choice of colored glass globes available in red, green, blue and yellow as well as frosted types together with polycarbonate versions (supplied without protective guard).
- ▼ Weather tight seal prevents ingress of dirt and moisture into the fixture.
- ▼ 5 year warranty.

DIMENSIONS



CAT. NO.	DIM. A	DIM. B	OPTION "N"	
			DIM. C	DIM D
767A	8 3/4	4 1/4	9 1/4	12 1/2
767B7	9 1/2	4 1/4	9 1/4	12 1/2
768B8	11	5 3/8	10 3/4	15 3/4
768B	11 7/8	6	10 3/4	15 3/4

APPROVALS

- ▼ UL 1598A - Marine Outside Type Saltwater
- ▼ ABS
- ▼ Conforms to IP 66

APPLICATIONS

- ▼ Marine and wet environments
- ▼ Offshore oil and gas platforms
- ▼ Drill ships and exploration vessels
- ▼ Tankers and cargo ships
- ▼ Drilling rigs
- ▼ Gantry and walkway lighting
- ▼ Deck Lighting

OPTIONS

To obtain a fixture with any of the options listed below, please add the following suffix to the part number (not all options can be combined):

- ▼ Porcelain Lampholder P
- ▼ Shockproof Lampholder SP
- ▼ Polycarbonate Globe (guard not provided) PG*
- ▼ Heat Resistant Clear Glass Globe HR
- ▼ Frosted Globe FST
- ▼ Red Globe RED
- ▼ Blue Globe BLU
- ▼ Green Globe GRN
- ▼ Yellow Globe YEL
- ▼ 3/4" NPT mounting CY4
- ▼ Shallow Dome Reflector L
- ▼ Angle Dome Reflector N

* 100w incandescent only.

MARINE, OUTSIDE AND CORROSIVE ENVIRONMENTS VAPOR AND WATERTIGHT INCANDESCENT PENDANT MOUNT FIXTURES



TECHNICAL SPECIFICATION

HOUSING

Available in natural heavy wall cast brass or natural copper-free marine-grade cast aluminum.

GUARD

High impact protective guard in natural cast brass or natural copper-free marine-grade cast aluminum supplied with fixture as standard except where polycarbonate globes are requested.

OUTLETS

All units are supplied drilled with a 1/2" NPT outlet. A 3/4" NPT drilled outlet is available as an option.

GASKETS

One piece silicone gasket provides an effective seal between the lens and housing.

LAMPHOLDER

A phenolic lampholder with a nickel plated copper screw shell is supplied as standard. A porcelain or shockproof lampholder is available as an option.

VOLTAGE OPERATION

Fixtures are rated up to 300v AC.

LAMP TYPE

100w, 150w, 200w and 300w incandescent. Fixtures are supplied without lamps.

REFLECTORS

The 100w and 150w shallow dome reflectors are fiberglass reinforced polyester, while all others are made from ABS.

GLOBE

A clear glass globe is provided as standard. Options include polycarbonate or frosted glass as well as colored in red, blue, green and yellow. See options for details of codes.

ORDERING REFERENCES

INCANDESCENT FIXTURES				
DESCRIPTION	LAMP SIZE	BRASS WT (lbs)	BRASS TYPE (B)	ALUMINUM TYPE (A)
Pendant Mount	100w max	4.0	767B	767A
Pendant Mount	150w max	4.0	767B7	767A7
Pendant Mount	200w max	7.3	768B8	768A8
Pendant Mount	300w max	7.3	768B	768A

SPARE PARTS	
GLASS GLOBES	LAMP HOLDERS
100w (6") INX2006*	Phenolic INX4000
150w (7") INX2007*	Porcelain INX4000P
200w (8") INX2008*	Shockproof INX4000SP
300w (9") INX2009*	
* Add one of the following suffix to the above part number to obtain the globe. Clear - CLR Green - GRN Frosted - FST Red - RED Yellow - YEL Blue - BLU Clear HR - HR	

GUARDS (B) BRASS / (A) ALUMINUM	
100w	INX1037B/A
150w	INX1037B/A
200w	INX1038B/A
300w	INX1020B/A

REFLECTORS (B) BRASS / (A) ALUMINUM	
Shallow Dome	
100w/150w	INX4544
200w	INX4545B/A
300w	INX4546B/A
Angle Dome	
100w/150w	INX4539B/A
200w	INX4541B/A
300w	INX4542B/A

LAMPS	
100w Incandescent	INX3528
150w Incandescent	INX3543
200w Incandescent	INX3678
300w Incandescent	INX3559

GASKETS	
100w	GKT2002SIL
150w	GKT2002SIL
200w	GKT2009SIL
300w	GKT1149SIL

