



## FEATURES

- ▼ Bulkhead (EPB), Ceiling (EPC), and Pendant (EPP) mount versions available.
- ▼ Choice of corrosion resistant housings in rugged natural heavy wall cast brass or natural copper-free marine-grade cast aluminum.
- ▼ Supplied with a high-impact natural heavy web cast brass or natural copper-free marine-grade cast aluminum protective guard.
- ▼ Available in 60-100w or 100-200w incandescent or 120v 60Hz AC 18w, 26w, or 32w compact fluorescent.
- ▼ All fixtures have factory sealed enclosures designed for use in locations where flammable gases or corrosive environments are present.
- ▼ Heat and impact resistant clear explosion proof glass globe.
- ▼ Fixtures available without reflector, with shallow dome reflector or 30° angled reflector.
- ▼ 5 year warranty.

## APPROVALS

- ▼ UL 844 - Hazardous Locations  
Class I Divisions 1 & 2 Groups C & D
- ▼ UL 1598A - Marine Outside Type Saltwater
- ▼ NEMA 4X
- ▼ ABS
- ▼ Temperature rating T3B
- ▼ Conforms to IP 66

## APPLICATIONS

- ▼ Hazardous locations
- ▼ Marine and wet environments
- ▼ Offshore oil and gas platforms
- ▼ Drill ships and exploration vessels
- ▼ Tankers
- ▼ Drilling rigs

## OPTIONS

To obtain a fixture with any of the options listed below, please add the following suffix to the part number (not all options can be combined):

- |                                |         |
|--------------------------------|---------|
| ▼ Shockproof lampholder        | SP      |
| ▼ 4 Pole Terminal Block        | T*      |
| ▼ Blue Globe (for 200w only)   | B**     |
| ▼ Green Globe (for 200w only)  | G**     |
| ▼ Red Globe (for 200w only)    | R**     |
| ▼ Yellow Globe (for 200w only) | Y**     |
| ▼ 277V AC 60Hz**               | -276*** |

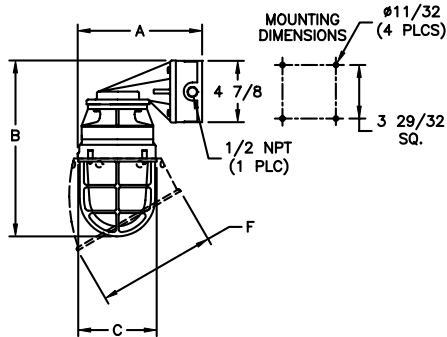
\*Only available on incandescent junction box & bulkhead models.

\*\* Temperature Rating with Colored Globe is T2D.

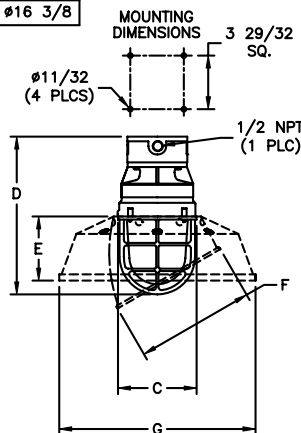
\*\*\* Available on compact fluorescent models only.

## DIMENSIONS

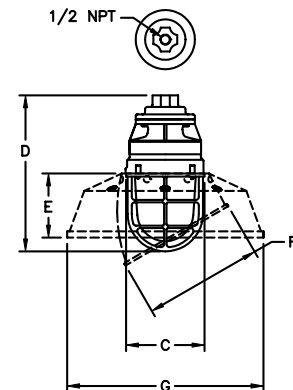
	DIMENSIONS						
	A	B	C	D	E	F	G
60-100W	9 3/8	12 1/4	5 3/4	11 1/4	9 3/8	ø10 5/8	ø12 1/2
100-200W	9 3/4	14	6 1/4	12 1/2	4 5/8	ø12 1/2	ø16 3/8



EPB



EPC



EPP

# EXPLOSION PROOF CLASS I DIVISION 1 INCANDESCENT AND COMPACT FLUORESCENT CEILING, PENDANT OR WALL MOUNT FIXTURES



## TECHNICAL SPECIFICATION

### HOUSING

Available in heavy natural wall cast brass or natural copper-free marine-grade cast aluminum.

### GUARD

Protective natural heavy web cast brass or natural copper-free marine-grade cast aluminum supplied with fixture as standard.

### OUTLETS

Supplied with one 1/2" NPT outlet as standard. Fixtures can be supplied with up to four 3/4" NPT outlets except for pendant models which can only be supplied with up to one 3/4" NPT outlet.

### GASKETS

One continuous piece extruded neoprene gasket provides an effective seal between the lens and housing.

### TERMINAL BLOCK

A four pole terminal block is also available as an option on ceiling and bulkhead models. Not for use with compact fluorescent models.

### MOUNTING

Intended for lamp base-up mounting.

### LAMPHOLDER

A medium based lampholder with a nickel plated copper screw shell is supplied as standard. A shockproof lampholder is also available as an option.

### VOLTAGE OPERATION

All incandescent fixtures are rated to operate up to 250v AC. Compact fluorescent models are rated up to 120V 60Hz or optional 277V 60 Hz.

### LAMP TYPE

The fixture is suitable for lamps up to 100w A-19 maximum for 60-100w incandescent and 200w A-21 for 100-200w incandescent. Compact fluorescent fixtures are supplied with lamps, incandescent fixtures are supplied without lamps.

### GLOBE

A clear glass globe is provided as standard. See options for available colors

### REFLECTORS

Available without reflector, with shallow dome or 30° angled reflector.

## ORDERING REFERENCES

INCANDESCENT FIXTURES					COMPACT FLUORESCENT FIXTURES	
DESCRIPTION	LAMP SIZE	BRASS WT (lbs)	BRASS(B)	ALUMINUM (A)		
Ceiling Mount without reflector	60-100w A-19 100-200w A-21	20.0 22.0	EPC30B EPC31B	EPC30A EPC31A	Compact fluorescent fixtures are available in 13, 18, 26 and 32w versions. To order your compact fluorescent fixture choose the part number of the similar style incandescent fixture, prefix the number with the letter "F" and select one of the following suffix that denotes your preferred lamp size.  18w - 18 • 26w - 26  Worked Example: FEPC37B-26 is a 26w junction box type compact fluorescent fixture in bronze with a 30° angled reflector. Available only in the 100-200w Bulkhead or Ceiling type fixtures.	
Ceiling Mount with Shallow Dome Reflector	60-100w A-19 100-200w A-21	21.5 25.0	EPC34B EPC35B	EPC34A EPC35A		
Ceiling Mount with 30° Angled Reflector	60-100w A-19 100-200w A-21	23.0 25.0	EPC36B EPC37B	EPC36A EPC37A		
Pendant Mount without Reflector	60-100w A-19 100-200w A-21	18.3 20.0	EPP38B EPP39B	EPP38A EPP39A	<b>SPARE PARTS</b>  <b>LAMPS</b> Incandescent 60w INX3526 100w INX3528 150w INX3558 200w INX3557  Compact Fluorescent 18w FX3552 26w FX3553 32w FX3554  <b>GLOBE ASSEMBLY</b> 60-100w Brass INX9005B 60-100w Aluminum INX9005A 100-200w Brass INX9012B 100-200w Aluminum INX9012A  For colored globe add suffix to end of Globe Assembly part number. Blank - Clear B - Blue Globe G - Green Globe R - Red Globe Y - Yellow Globe	
Pendant Mount with Shallow Dome Reflector	60-100w A-19 100-200w A-21	19.5 23.0	EPP42B EPP43B	EPP42A EPP43A		
Pendant Mount with 30° Angled Reflector	60-100w A-19 100-200w A-21	21.0 23.0	EPP44B EPP45B	EPP44A EPP45A		
Bulkhead Mount without Reflector	60-100w A-19 100-200w A-21	27.3 29.0	EPB46B EPB47B	EPB46A EPB47A	<b>GUARDS</b> 60-100w Brass INX1004B 60-100w Aluminum INX1004A 100-200w Brass INX1005B 100-200w Aluminum INX1005A  <b>REFLECTORS</b> 60-100w Shallow INX4543 60-100w Angled INX4538 100-200w Shallow INX4556 100-200w Angled INX4540	
Bulkhead Mount with 30° Angled Reflector	60-100w A-19 100-200w A-21	30.0 31.8	EPB48B EPB49B	EPB48A EPB49A		
					<b>LAMPHOLDER</b> Incandescent INX4000 Compact Fluorescent 18w FX4030 26w FX4034 32w FX4034	<b>BALLAST</b> N/A FX5206 FX5026 FX5026

