



FEATURES

- ▼ Choice of corrosion resistant housings in rugged heavy wall cast brass or copper-free marine-grade cast aluminum.
- ▼ 200w or 300w incandescent lamp options.
- ▼ Medium floodlight as standard with narrow or wide beam pattern options.
- ▼ High impact protective guard available to prevent damage to lamps and lens.
- ▼ Range of colored lens available in red, blue, green and yellow.
- ▼ Shock mounting options available.
- ▼ 5 year warranty.

APPROVALS

- ▼ UL 1598A - Marine Outside Type Saltwater
- ▼ ABS
- ▼ Conforms to IP 66

APPLICATIONS

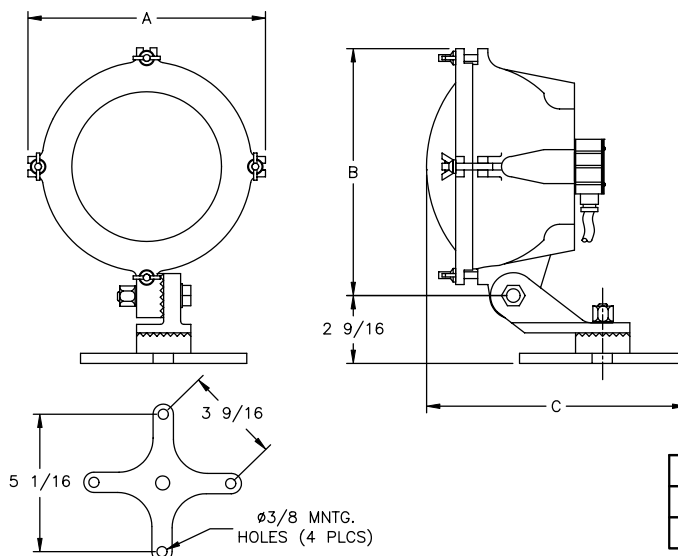
- ▼ Marine and wet environments
- ▼ Ships
- ▼ Drill ships and exploration vessels
- ▼ Tankers
- ▼ Patrol boats
- ▼ Coast Guard rescue vessels

OPTIONS

To obtain a fixture with any of the options listed below, please add the following suffix to the part number (not all options can be combined):

- ▼ Guard GRD
- ▼ Shock Mount RS
- ▼ Handle HDL
- ▼ Narrow Spot Light Type NSP
- ▼ Wide Floodlight Type (741 only) WFL
- ▼ Red Colored Lens RED
- ▼ Blue Colored Lens BLU
- ▼ Green Colored Lens GRN
- ▼ Yellow Colored Lens YEL

DIMENSIONS



CAT. NO.	DIM. A	DIM. B	DIM. C
740	8 3/4	9 1/8	8 3/16
741	10 1/16	10 1/8	8 7/8



MARINE, OUTSIDE AND CORROSIVE ENVIRONMENTS WATERTIGHT SEALED BEAM INCANDESCENT FLOODLIGHT

TECHNICAL SPECIFICATION

HOUSING

Available in heavy wall cast brass or copper-free marine-grade cast aluminum with an oven-cured white polyester powder coated protective finish.

GUARD

Optional stainless steel wire guard available.

OUTLETS

All units are supplied complete with 6 foot of 16/3 cable.

GASKETS

High temperature silicone gasket provides an effective seal between lens and housing.

HARDWARE

Stainless steel wing nuts for all types.

VOLTAGE OPERATION

Rated for operation on 120v 60Hz as standard. 12v and 28v units are also available.

LAMP TYPE

A 120v 60Hz AC 200w par 46 medium end prong medium flood is provided on 740 units and 300w 120v 60Hz AC par 56 mogul end prong on 741 fixtures. Available in narrow spot or wide flood types as options except 200w 740 units.

LENS

A clear heat resistant glass lens is provided as standard. Colored options are available in red, blue, green and yellow.

LAMPHOLDER

Porcelain lampholders are provided with high temperature leads.

ORDERING REFERENCES

FLOODLIGHT FIXTURES					SPARE PARTS		
DESCRIPTION	BRONZE TYPE (B)	BRASS WEIGHT (lbs)	ALUMINUM TYPE (A)	ALUMINUM WEIGHT (lbs)	LAMP HOLDERS		
Sealed Beam 200w Incandescent	740SM	14.0	740ASM	6.0	740	INX4008	
Sealed Beam 300w Incandescent	741SM	19.0	741ASM	8.0	741	INX4014	
					GUARDS	740	INX1039
						741	INX1040
					LENS	740 Clear	INX2117
						741 Clear	INX2100
					To order a colored lens add the appropriate suffix to the above part number.		
					Red Lens RED	Green Lens	GRN
					Blue Lens BLU	Yellow Lens	YEL
					LAMPS - 740 UNITS		
					200w 120v Medium Flood Par 46		INX3508
					200w 120v Narrow Spot Par 46		INX3619
					741 UNITS		
					300w 120v Medium Flood Par 56		INX3509
					300w 120v Narrow Spot Par 56		INX3510
					300w 120v Wide Flood Par 56		INX3581
					GASKET	740	GKT6043-22.5
						741	GKT5204LCS-27
					SWING BOLT/NUT KIT (4 per package)		INX8001
					MOUNTING BASE		INX7005A/B

