



FEATURES

- ▼ Available in High Pressure Sodium, Mercury Vapor and Metal Halide lamp types.
- ▼ Corrosion resistant housing in copper-free marine grade aluminum or 316 grade stainless steel.
- ▼ Four stainless steel latches provide a tight weather resistant seal and easy access to interior components for maintenance and servicing purposes.
- ▼ Supplied with a multi-tapped ballast in 120/208/240/277v AC 60Hz as standard. Also available in 480v 60Hz
- ▼ Stainless steel wire guard available
- ▼ Choice of angled or shallow dome reflectors
- ▼ 5 year warranty.

APPROVALS

- ▼ UL 844 - Hazardous Locations
Class I Division 2 Groups A, B, C & D
Class I Zone 2 Groups IIA, IIB, IIB + H2 and IIC
- ▼ US 1598A - Marine Outside Type Saltwater
- ▼ Type 4X
- ▼ cULus
- ▼ ABS
- ▼ Conforms to IP 66

APPLICATIONS

- ▼ Hazardous locations
- ▼ Marine and wet environments
- ▼ Offshore oil and gas platforms
- ▼ Drill ships and exploration vessels
- ▼ Tankers and cargo ships
- ▼ Drilling rigs

OPTIONS

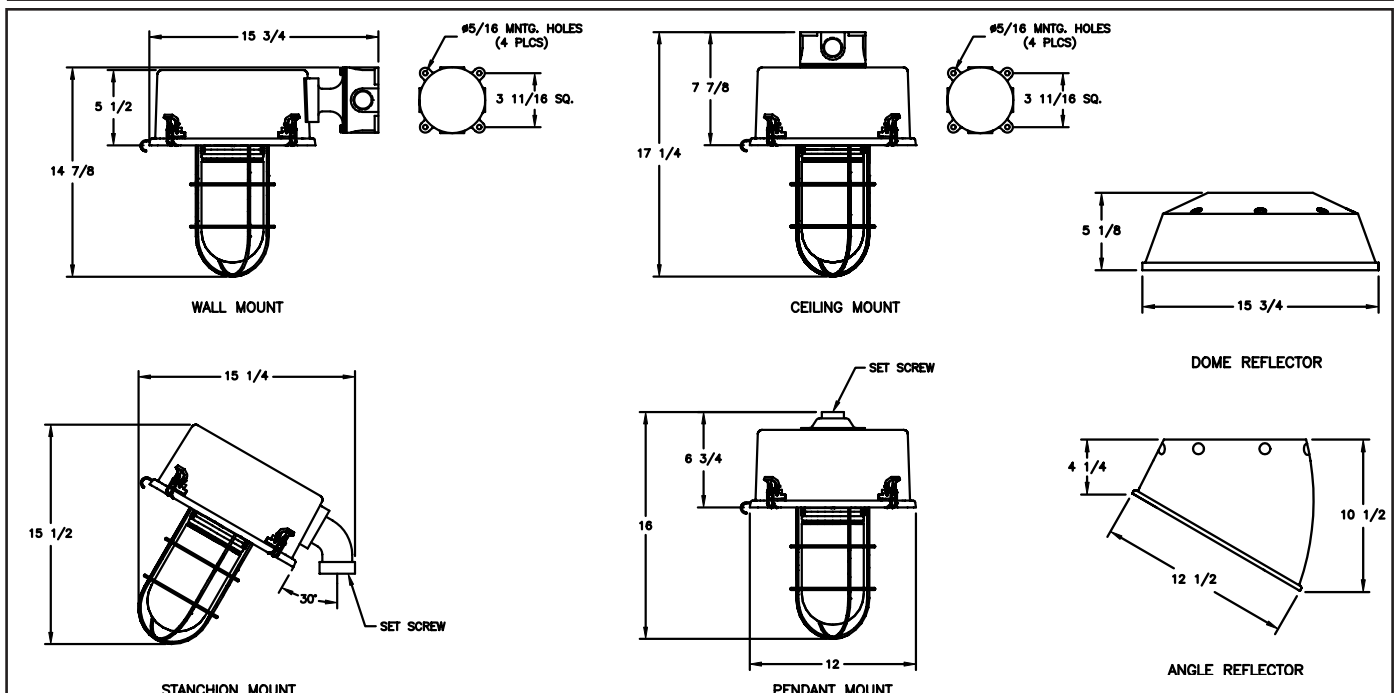
To obtain a fixture with any of the options listed below, please add the following suffix to the part number (not all options can be combined):

- | | |
|--------------------------|-----|
| ▼ Instant Restrike | IR* |
| ▼ Fused Ballast | F** |
| ▼ 30° Angled Reflector | N |
| ▼ Shallow Dome Reflector | L |
| ▼ Clear Globe | CG |

* Only Available on High Pressure Sodium fixtures.

** Not for Marine application.

DIMENSIONS



HAZARDOUS LOCATIONS CLASS I DIVISION 2 HID MEDIUM / MOGUL BASE FIXTURE



TECHNICAL SPECIFICATION

HOUSING

Available in 316 grade stainless steel with a natural finish and stainless steel mounting fittings or in copper-free marine grade aluminum with an oven-cured polyester powder coated protective finish and aluminum mounting fittings.

GLOBE RETAINING RING AND LATCHES

Stainless steel globe ring and four latches provide a weather tight seal for all types.

REFLECTORS

Shallow dome or 30° angled reflector in ABS with a white gloss finish.

OUTLETS

All units can be supplied with a wide range of sizes and number of outlets. See ordering references below for details.

GUARD

Stainless steel wire guard optional.

BALLAST

A multi-tapped ballast offering 120/208/240/277v AC 60Hz is supplied as standard. 480v 60Hz optional.

LAMP TYPE

Available in medium or mogul base High Pressure Sodium (HPS), Mercury Vapor (MV), which operate from -40° F, and Metal Halide (MH), which operates from -20° F. Fixtures are supplied without lamps.

GLOBE

High impact and heat resistant internally fluted glass. A clear globe is also available as an option.

GASKETS

One continuous molded piece of high temperature silicone gasket provides an effective seal between the lens and housing.

FIXTURE ORDERING REFERENCES

HID FIXTURES																																																																																					
<p>WORKED ORDERING EXAMPLE 150w High Pressure Sodium, Medium Base, 316 Stainless Steel, Pendant Mounted, multi tap ballast, with 316 stainless steel mounting accessories, stainless steel guard and 30° angled reflector</p> <table style="width: 100%; border: none;"> <tr> <td style="width: 25%;">1. LAMP TYPE</td> <td style="width: 25%;">3. MOUNTING TYPES & OUTLETS</td> <td style="width: 25%;">4. MOUNTING MATERIALS</td> <td style="width: 25%;">8. VOLTAGE</td> </tr> <tr> <td>LX High Pressure Sodium</td> <td>B2 1" Wall Mount 2 Way</td> <td>A Marine Grade Aluminum</td> <td>-MT 120/208/240/277v</td> </tr> <tr> <td>MH Metal Halide</td> <td>B3 3/4" Wall Mount 2 Way</td> <td>S 316 Stainless Steel</td> <td>60Hz Multi-tapped</td> </tr> <tr> <td>MV Mercury Vapor</td> <td>B4 3/4" Wall Mount 4 Way</td> <td></td> <td>-486 480v AC 60Hz</td> </tr> <tr> <td>2. FIXTURE MATERIALS</td> <td>B5 1" Wall Mount 4 Way</td> <td>5. WATTAGE</td> <td>*For 50Hz ballast options contact factory.</td> </tr> <tr> <td>A Marine Grade Aluminum</td> <td>C2 1" Wall Mount 2 Way</td> <td>50 50w (LX)</td> <td></td> </tr> <tr> <td>S 316 Stainless Steel</td> <td>C3 3/4" Wall Mount 2 Way</td> <td>70 70w (LX, MH)</td> <td></td> </tr> <tr> <td></td> <td>C4 3/4" Wall Mount 4 Way</td> <td>10 100w (LX, MH, MV)</td> <td></td> </tr> <tr> <td></td> <td>C5 1" Wall Mount 4 Way</td> <td>15 150w (LX, MH)</td> <td></td> </tr> <tr> <td></td> <td>P1 1" Pendant Mount</td> <td>17 175w (MH)</td> <td></td> </tr> <tr> <td></td> <td>P3 3/4" Pendant Mount</td> <td>6. GUARDS</td> <td>9. OPTIONS</td> </tr> <tr> <td></td> <td>S 1 1/4" Stanchion Mount</td> <td>Blank No Guard</td> <td>IR Instant Restrike*</td> </tr> <tr> <td></td> <td>S1 1 1/2" Stanchion Mount</td> <td>G Guard</td> <td>F Fused Ballast**</td> </tr> <tr> <td></td> <td></td> <td></td> <td>N 30° Angled Reflector</td> </tr> <tr> <td></td> <td></td> <td></td> <td>L Shallow Dome Reflector</td> </tr> <tr> <td></td> <td></td> <td></td> <td>CG Clear Globe</td> </tr> <tr> <td></td> <td></td> <td>7. Lampbase</td> <td>* Only available on High Pressure Sodium Fixtures</td> </tr> <tr> <td></td> <td></td> <td>Blank Medium Base</td> <td>** Not for Marine Application</td> </tr> <tr> <td></td> <td></td> <td>H Mogul Base</td> <td></td> </tr> </table>	1. LAMP TYPE	3. MOUNTING TYPES & OUTLETS	4. MOUNTING MATERIALS	8. VOLTAGE	LX High Pressure Sodium	B2 1" Wall Mount 2 Way	A Marine Grade Aluminum	-MT 120/208/240/277v	MH Metal Halide	B3 3/4" Wall Mount 2 Way	S 316 Stainless Steel	60Hz Multi-tapped	MV Mercury Vapor	B4 3/4" Wall Mount 4 Way		-486 480v AC 60Hz	2. FIXTURE MATERIALS	B5 1" Wall Mount 4 Way	5. WATTAGE	*For 50Hz ballast options contact factory.	A Marine Grade Aluminum	C2 1" Wall Mount 2 Way	50 50w (LX)		S 316 Stainless Steel	C3 3/4" Wall Mount 2 Way	70 70w (LX, MH)			C4 3/4" Wall Mount 4 Way	10 100w (LX, MH, MV)			C5 1" Wall Mount 4 Way	15 150w (LX, MH)			P1 1" Pendant Mount	17 175w (MH)			P3 3/4" Pendant Mount	6. GUARDS	9. OPTIONS		S 1 1/4" Stanchion Mount	Blank No Guard	IR Instant Restrike*		S1 1 1/2" Stanchion Mount	G Guard	F Fused Ballast**				N 30° Angled Reflector				L Shallow Dome Reflector				CG Clear Globe			7. Lampbase	* Only available on High Pressure Sodium Fixtures			Blank Medium Base	** Not for Marine Application			H Mogul Base										
1. LAMP TYPE	3. MOUNTING TYPES & OUTLETS	4. MOUNTING MATERIALS	8. VOLTAGE																																																																																		
LX High Pressure Sodium	B2 1" Wall Mount 2 Way	A Marine Grade Aluminum	-MT 120/208/240/277v																																																																																		
MH Metal Halide	B3 3/4" Wall Mount 2 Way	S 316 Stainless Steel	60Hz Multi-tapped																																																																																		
MV Mercury Vapor	B4 3/4" Wall Mount 4 Way		-486 480v AC 60Hz																																																																																		
2. FIXTURE MATERIALS	B5 1" Wall Mount 4 Way	5. WATTAGE	*For 50Hz ballast options contact factory.																																																																																		
A Marine Grade Aluminum	C2 1" Wall Mount 2 Way	50 50w (LX)																																																																																			
S 316 Stainless Steel	C3 3/4" Wall Mount 2 Way	70 70w (LX, MH)																																																																																			
	C4 3/4" Wall Mount 4 Way	10 100w (LX, MH, MV)																																																																																			
	C5 1" Wall Mount 4 Way	15 150w (LX, MH)																																																																																			
	P1 1" Pendant Mount	17 175w (MH)																																																																																			
	P3 3/4" Pendant Mount	6. GUARDS	9. OPTIONS																																																																																		
	S 1 1/4" Stanchion Mount	Blank No Guard	IR Instant Restrike*																																																																																		
	S1 1 1/2" Stanchion Mount	G Guard	F Fused Ballast**																																																																																		
			N 30° Angled Reflector																																																																																		
			L Shallow Dome Reflector																																																																																		
			CG Clear Globe																																																																																		
		7. Lampbase	* Only available on High Pressure Sodium Fixtures																																																																																		
		Blank Medium Base	** Not for Marine Application																																																																																		
		H Mogul Base																																																																																			

SPARE PARTS

MULTI TAP BALLASTS	LAMPS MEDIUM BASE	MOUNT ALUMINUM (A) OR STAINLESS STEEL (S)
High Pressure Sodium	High Pressure Sodium	Pendant 1" INX7050P1A or S
50w INX5118	50w INX3653	Pendant 3/4" INX7050P3A or S
70w INX5116	70w INX3621	Ceiling 1" 2 Way INX7051C2A or S
100w INX5113	100w INX3632	Ceiling 3/4" 2 Way INX7051C3A or S
150w INX5110	150w INX3593	Ceiling 3/4" 4 Way INX7051C4A or S
Mercury Vapor	Mercury Vapor	Ceiling 1" 4 Way INX7051C5A or S
100w INX5141	100w INX3625	Stanchion 1 1/4" INX7055SA or S
Metal Halide	Metal Halide	Stanchion 1 1/2" INX7055S1A or S
70w INX5135	70w INX3647	Wall 1" 2 Way INX7056B2A or S
100w INX5133	100w INX3659	Wall 3/4" 2 Way INX7056B3A or S
175w INX5130	175w INX3620	Wall 3/4" 4 Way INX7056B4A or S
		Wall 1" 4 Way INX7056B5A or S
REFLECTORS	30° Angled Reflector INX4564	LAMP HOLDERS Medium INX4096
	Shallow Dome Reflector INX4565	Mogul INX4100
GLOBES	Fluted INX2150 Clear INX2008HR	GUARD INX1057

