

FEATURES

- ▼ Available in High Pressure Sodium, Mercury Vapor and Metal Halide lamp types.
- ▼ Corrosion resistant housing in copper-free marine grade aluminum or 316 grade stainless steel.
- ▼ Six stainless steel latches provide a tight weather resistant seal and easy access to interior components for maintenance and servicing purposes.
- ▼ Supplied with a multi-tapped ballast in 120/208/240/277v AC 60Hz as standard.
- ▼ Stainless steel wire guard available with open bottom allowing access to the globe for easy relamping.
- ▼ Choice of angled or shallow dome reflectors.
- ▼ 5 year warranty.

APPROVALS

- ▼ UL 844 - Hazardous Locations
Class I Division 2 Groups A, B, C & D
Class I Zone 2 Groups IIA, IIB, IIB + H2 and IIC
- ▼ UL 1598A - Marine Outside Type Saltwater
- ▼ Type 4X
- ▼ cULus
- ▼ ABS
- ▼ Conforms to IP 66

APPLICATIONS

- ▼ Hazardous locations
- ▼ Marine and wet environments
- ▼ Offshore oil and gas platforms
- ▼ Drill ships and exploration vessels
- ▼ Tankers and cargo ships
- ▼ Drilling rigs

OPTIONS

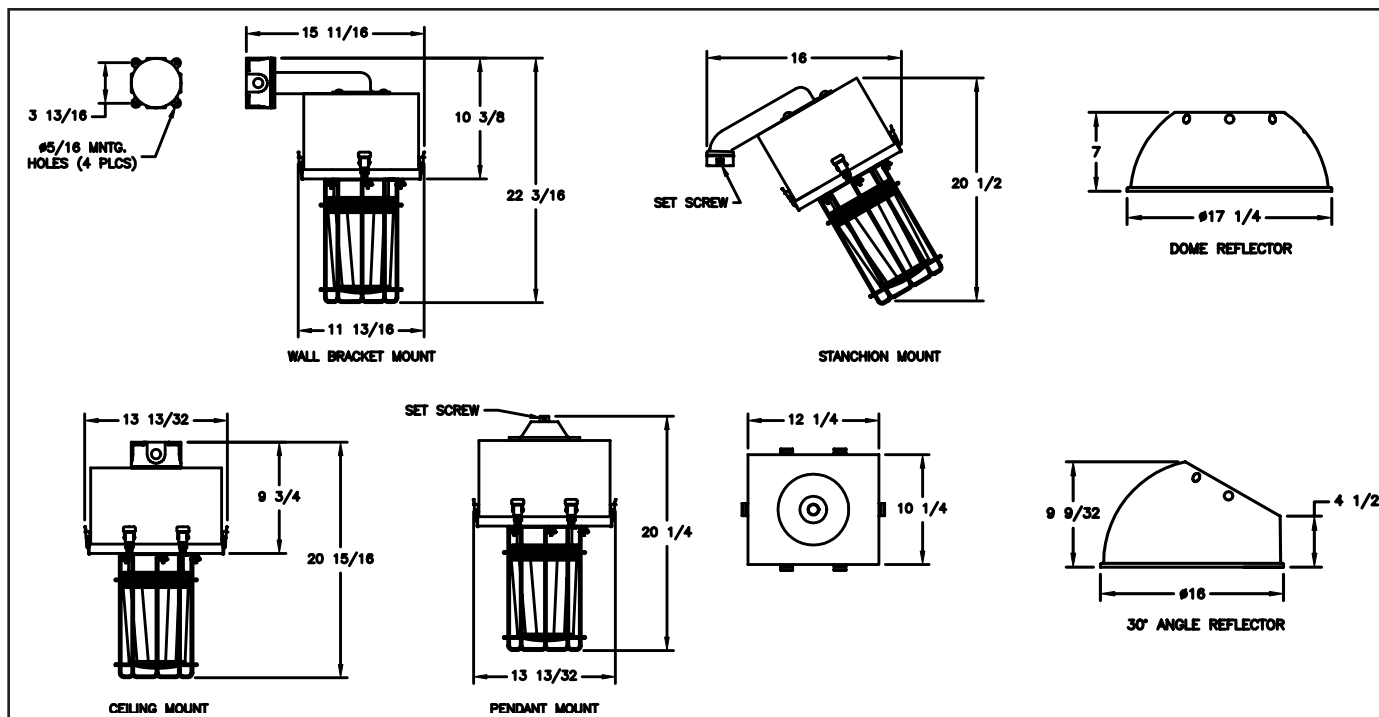
To obtain a fixture with any of the options listed below, please add the following suffix to the part number (not all options can be combined):

- | | |
|--|-----|
| ▼ Instant Restrike (maximum 150 watts) | IR* |
| ▼ Fused Ballast | F** |
| ▼ 30° Angled Reflector | N |
| ▼ Shallow Dome Reflector | L |
| ▼ Clear Globe | CG |

* Only available on High Pressure Sodium fixtures.

** Not for marine application.

DIMENSIONS



Dimensions in inches



HAZARDOUS LOCATIONS CLASS I DIVISION 2 HID MOGUL BASE FIXTURE

TECHNICAL SPECIFICATION

HOUSING

Available in 316 grade stainless steel with a natural finish and stainless steel mounting fittings or in copper-free marine grade aluminum with an oven-cured polyester powder coated protective finish and aluminum mounting fittings.

GLOBE RETAINING RING AND LATCHES

Stainless steel globe ring and six latches provide a weather tight seal for all types.

REFLECTORS

Shallow dome or 30° angled reflector in fiber glass reinforced polyester with a white gloss finish.

OUTLETS

All units can be supplied with a wide range of sizes and number of outlets.

GUARD

Stainless steel wire guard optional.

BALLAST

A multi-tapped ballast offering 120/208/240/277v AC 60Hz versatility, is supplied as standard. 480v AC 60Hz is available as an option.

LAMP TYPE

Available in mogul base High Pressure Sodium (HPS), Mercury Vapor (MV), which operate from -40° F, and Metal Halide (MH) and Pulse Start Metal Halide (PS), which operate from -20° F. Fixtures are supplied without lamps.

GLOBE

High impact and heat resistant internally fluted glass. A clear globe is also available as an option.

GASKETS

High temperature silicone gaskets provide an effective seal throughout.

FIXTURE ORDERING REFERENCES

HID FIXTURES

WORKED ORDERING EXAMPLE

150w High Pressure Sodium, Mogul Base, 316 Stainless Steel, Pendant Mounted, multi tap ballast, with 316 stainless steel mounting accessories, stainless steel guard and 30° angled reflector.

1.	2.	3.	4.	5.	6.	7.	8.
ZLX	S	P3	S	15	G	MT	N

1. LAMP TYPE

ZLX	High Pressure Sodium
ZMH	Metal Halide
ZMV	Mercury Vapor
ZPS	Pulse Start Metal Halide

3. MOUNTING TYPES & OUTLETS

B2	1" Wall Mount 2 Way
B3	3/4" Wall Mount 2 Way
B4	3/4" Wall Mount 4 Way
B5	1" Wall Mount 4 Way
C2	1" Wall Mount 2 Way
C3	3/4" Wall Mount 2 Way
C4	3/4" Wall Mount 4 Way
C5	1" Wall Mount 4 Way
P1	1" Pendant Mount
P3	3/4" Pendant Mount
S	1 1/4" Stanchion Mount
S1	1 1/2" Stanchion Mount

4. MOUNTING MATERIALS

A	Marine Grade Aluminum
S	316 Stainless Steel

5. WATTAGE

50	50w (ZLX)
70	70w (ZLX, ZMH)
10	100w (ZLX, ZMH, ZMV)
15	150w (ZLX, ZMH)
17	175w (ZMH, ZPS)
20	200w (ZPS)
25	250w (ZLX, ZMH, ZMV, ZPS)

6. GUARDS

G	Guard
---	-------

7. VOLTAGE

-MT	120/208/240/277v 60 Hz Multi-tapped
-486	480v AC 60Hz

*For 50Hz ballast options contact Pauluhn direct

8. OPTIONS

IR	Instant Restrike* (150 watt max)
F	Fused Ballast**
N	30° Angled Reflector
L	Shallow Dome Reflector
CG	Clear Globe

* Only available on High Pressure Sodium Fixtures 150w max.

**Not for Marine Application

SPARE PARTS

MULTI TAP BALLASTS

High Pressure Sodium	
50w	INX5118
70w	INX5116
100w	INX5113
150w	INX5110
250W	INX5176
Mercury Vapor	
175w	INX5130
250w	INX5182
Metal Halide	
70w	INX5135
100w	INX5133
175w	INX5130
250w	INX5182

LAMPS MOGUL BASE

High Pressure Sodium	
50w	INX3687
70w	INX3662
100w	INX3535
150w	INX3651
250w	INX3546
Mercury Vapor	
175w	INX3536
250w	INX3537
Metal Halide	
70w	INX3683
100w	INX3682
175w	INX3551
250w	INX3541

MOUNT ALUMINUM (A) OR STAINLESS STEEL (S)

Pendant 1"	INX7050P1A or S
Pendant 3/4"	INX7050P3A or S
Ceiling 1" 2 Way	INX7051C2A or S
Ceiling 3/4" 2 Way	INX7051C3A or S
Ceiling 3/4" 4 Way	INX7051C4A or S
Ceiling 1" 4 Way	INX7051C5A or S
Stanchion 1 1/4"	INX7053SA or S
Stanchion 1 1/2"	INX7053S1A or S
Wall 1" 2 Way	INX7052B2A or S
Wall 3/4" 2 Way	INX7052B3A or S
Wall 3/4" 4 Way	INX7052B4A or S
Wall 1" 4 Way	INX7052B5A or S

REFLECTORS

30° Angled Reflector	INX4567
Shallow Dome Reflector	INX4568

LAMP HOLDERS

High Pressure Sodium	INX4004
Mercury Vapor & Metal Halide	INX4100

GLOBES

Fluted INX2136	INX2020HR
----------------	-----------

GUARD

INX1059
