



FEATURES

- ▼ Available in High Pressure Sodium, Mercury Vapor or Metal Halide.
- ▼ Corrosion resistant housing in copper-free marine grade aluminum or 316 grade stainless steel.
- ▼ Four stainless steel latches provide a tight weather resistant seal and easy access to interior components for maintenance and servicing purposes.
- ▼ HID fixtures supplied in multi-tapped 120/208/240/277v AC 60Hz as standard. Also available in 480v 60Hz.
- ▼ Shallow dome reflectors available.
- ▼ 5 year warranty.

APPROVALS

- ▼ UL 844 - Hazardous Locations
Class I Division 2 Groups A, B, C & D
Class I Zone 2 Groups IIA, IIB, IIB + H2 and IIC
- ▼ UL 1598A - Marine Outside Type Saltwater
- ▼ Type 4X
- ▼ ABS
- ▼ Conforms to IP 66.

APPLICATIONS

- ▼ Class I Division 2 hazardous locations
- ▼ Marine and wet environments
- ▼ Offshore oil and gas platforms
- ▼ Drill ships and exploration vessels
- ▼ Tankers and cargo ships
- ▼ Drilling rigs

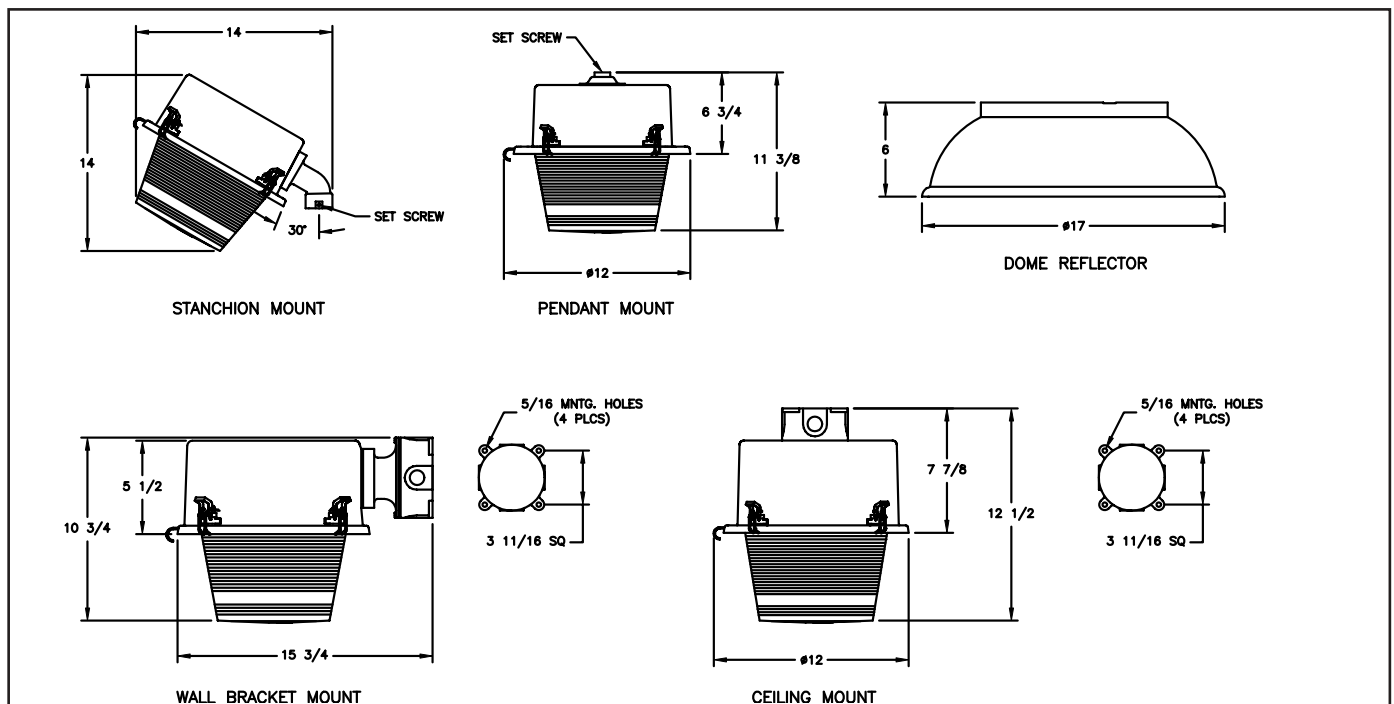
OPTIONS

To obtain a fixture with any of the options listed below, please add the following suffix to the part number (not all options can be combined):

- | | |
|------------------------------------|----|
| ▼ Glass Refractor Globe | GG |
| ▼ Instant Restrike (LX units only) | IR |
| ▼ Fused Ballast | F* |
| ▼ Shallow Dome Reflector | L |

* Not for marine applications.

DIMENSIONS



Dimensions in inches



HAZARDOUS LOCATIONS CLASS I DIVISION 2 HID MOGUL BASE FIXTURE

TECHNICAL SPECIFICATION

HOUSING

Available in 316 grade stainless steel with a natural finish and stainless steel mounting fittings or in copper-free marine grade aluminum with an oven-cured polyester powder coated protective finish and aluminum mounting fittings.

GLOBE RETAINING RING AND LATCHES

Stainless steel globe ring and four latches for all types.

REFLECTORS

Shallow dome reflector in ABS with UV Stabilized Korad in white gloss finish.

OUTLETS

All units can be supplied with a wide range of sizes and number of outlets.

GLOBE

High impact and heat resistant fluted polycarbonate or glass. A clear polycarbonate globe is also available as an option.

BALLAST

A multi-tapped ballast offering 120/208/240/277v AC 60Hz versatility, is supplied as standard. 480v AC 60Hz is available as an option.

LAMP TYPE

Available in mogul base High Pressure Sodium (HPS), Mercury Vapor (MV), which operate from -40° F, and Metal Halide (MH), which operates from -20° F. Fixtures are supplied without lamps.

GASKETS

One continuous extruded silicone "O" ring gasket provides an effective seal between the lens and housing. This eliminates the effect of contamination to the fixture.

FIXTURE ORDERING REFERENCES

HID FIXTURES

WORKED ORDERING EXAMPLE

100w High Pressure Sodium, Mogul Base, 316 Stainless Steel, 3/4" Pendant Mounted, Multi-tap Fixture, with a polycarbonate refractor globe and instant restrike.

1.	2.	3.	4.	5.	6.	7.
LX	S	P3	R	10	MT	IR

1. LAMP TYPE

LX High Pressure Sodium
MH Metal Halide
MV Mercury Vapor

3. MOUNTING TYPES & OUTLETS

B2 1" Wall Mount 2 Way
B3 3/4" Wall Mount 2 Way
B4 3/4" Wall Mount 4 Way
B5 1" Wall Mount 4 Way
C2 1" Wall Mount 2 Way
C3 3/4" Wall Mount 2 Way
C4 3/4" Wall Mount 4 Way
C5 1" Wall Mount 4 Way
P1 1" Pendant Mount
P3 3/4" Pendant Mount
S 1 1/4" Stanchion Mount
S1 1 1/2" Stanchion Mount

4. GLOBES

R Polycarbonate Refractor Globe
X Polycarbonate Clear Globe
GG Glass Refractor Globe

7. OPTIONS

IR Instant Restrike*
F Fused Ballast**
L Shallow Dome Reflector
* Only available on High Pressure Sodium Fixtures
** Not for Marine Application

2. FIXTURE MATERIALS

A Marine Grade Aluminum
S 316 Stainless Steel

5. WATTAGE

50 50w (LX)
70 70w (LX)
10 100w (LX, MH, MV)

6. VOLTAGE

MT 120/208/240/277v
60Hz Multi-tapped
48 480v AC 60Hz

*For 50Hz ballast options contact factory

SPARE PARTS

BALLASTS

High Pressure Sodium
50w INX5118
70w INX5116
100w INX5113
Mercury Vapor
100w INX5141
Metal Halide
100w INX5133

LAMPS

High Pressure Sodium
50w INX3687
70w INX3662
100w INX3535
Mercury Vapor (MV)
100w INX3538
Metal Halide
100w INX3682

LAMP HOLDERS

All Types INX4100

REFLECTORS

Shallow Dome Reflector INX4567

GLOBES

Glass Refractor INX2184
Polycarbonate Refractor Globe INX2169
Polycarbonate Clear Globe INX2181

MOUNT ALUMINUM (A) OR STAINLESS STEEL (S)

Pendant 1" INX7050P1A or S
Pendant 3/4" INX7050P3A or S
Ceiling 1" 2 Way INX7051C2A or S
Ceiling 3/4" 2 Way INX7051C3A or S
Ceiling 3/4" 4 Way INX7051C4A or S
Ceiling 1" 4 Way INX7051C5A or S

