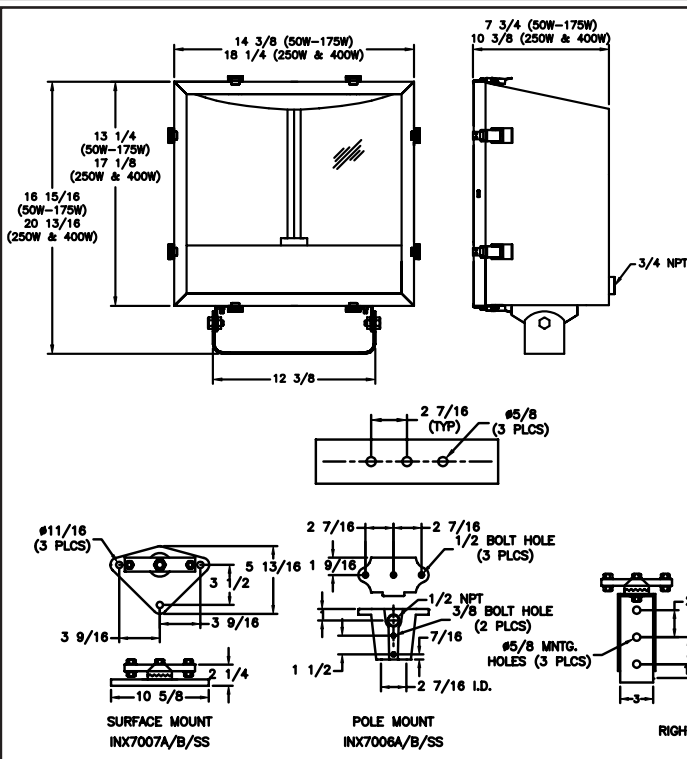




## FEATURES

- ▼ Available in High Pressure Sodium 70-400w, Mercury Vapor 100-400w and Metal Halide 175-400w.
- ▼ Corrosion resistant housing in copper-free marine grade aluminum or 316 grade stainless steel.
- ▼ Eight positive-locking stainless steel latches provide a tight weather resistant seal and easy access to the lamp interior components for maintenance and service.
- ▼ Field replaceable lens frame lowers total cost of ownership.
- ▼ Supplied with an HPF 120/208/240/277v AC 60Hz multi-tapped ballast allowing voltage versatility. Also available in 480v 60Hz.
- ▼ Choice of mounting arrangements in surface, pole, right angle and crane boom (via a modified housing).
- ▼ 5 year warranty.

## DIMENSIONS



## APPROVALS

- ▼ UL 844 - Hazardous Locations  
Class I Divisions 2 Groups A, B, C & D  
Class I Zone 2 Groups IIA, IIB, IIB + H2 and IIC
- ▼ UL 1598A - Marine Outside Type Saltwater
- ▼ Type 4X
- ▼ cULus
- ▼ ABS
- ▼ Conforms to IP 66

## APPLICATIONS

- ▼ Hazardous locations
- ▼ Marine and wet environments
- ▼ Offshore oil and gas platforms
- ▼ Drill ships and exploration vessels
- ▼ Tankers and cargo ships
- ▼ Drilling rigs, refineries and petrochemical plants

## OPTIONS

To obtain a fixture with any of the options listed below, please add the following suffix to the part number (not all options can be combined):

- |  |       |
|--|-------|
| ▼ Auxiliary Quartz Light (light continuator)       | LC*   |
| ▼ Fused Ballast                                    | F**   |
| ▼ Double Fused Ballast                             | 2F**  |
| ▼ Instant Restrike (High Pressure units only)      | IR*** |
| ▼ 220v 50Hz  | -225  |
| ▼ 220v 60Hz  | -226  |
| ▼ 245v 40Hz  | -245  |
| ▼ 480v 60Hz  | -486  |
| ▼ Remote Ballast                                   | RB    |
| ▼ Vibration Resistant Lamp and Lampholder          | SP    |
| ▼ Crane Boom Modified Housing (includes option SP) | CB    |
| ▼ Stainless steel guard                            | GRD   |

\* For marine use only.

\*\* Not for marine applications.

\*\*\*Maximum 150w HPS.



# HAZARDOUS LOCATION CLASS I DIVISION 2 HID MOGUL BASE FLOODLIGHT FIXTURES

## TECHNICAL SPECIFICATION

### HOUSING

Available in 316 grade stainless steel with a natural finish or in copper-free marine grade aluminum with an oven-cured polyester powder coated protective finish.

### LENS FRAME AND MOUNTING BRACKETS

316 marine grade stainless steel for all types.

### REFLECTORS

Highly specular hammer tone aluminum

### OUTLETS

One 3/4" NPT outlet as standard.

### LENS

High impact, thermal and shock resistant tempered glass.

### GUARD

Stainless steel guard also available.

### BALLAST

A multi-tapped ballast offering 120/208/240/277v AC 60Hz is supplied as standard. A 480v AC 60Hz ballast is an option together with a fused ballast (not for marine applications) or double fused ballast. Remote ballast, suitable for use up to 75 feet away, is also available.

### LAMP TYPE

Available in mogul base High Pressure Sodium (HPS), Mercury Vapor (MV), which operate from -40° F, and Metal Halide (MH), which operates from -20° F. Fixtures are supplied without lamps.

### GASKETS

One continuous piece of high temperature silicone gasket provides an effective seal between the lens and housing.

HID FIXTURES							
HIGH PRESSURE SODIUM	TYPE	STAINLESS STEEL	WT (lbs)	TEMPERATURE CODE	ALUMINUM	WT (lbs)	TEMPERATURE CODE
	70 w	NHIDLS7IB	23.0	T2B	NHIDLA7IB	21.0	T2B
	100 w	NHIDLS1IB	25.0	T2B	NHIDLA1IB	23.0	T2B
	150 w	NHIDLS15IB	27.0	T2B	NHIDLA15IB	24.0	T2B
	250 w	NHIDLS25IB	42.0	T1	NHIDLA25IB	32.0	T1
	400 w	NHIDLS4IB	48.0	T1	NHIDLA4IB	38.0	T1
MERCURY VAPOR	100 w	NHIDMS1IB	24.0	T2B	NHIDMA1IB	22.0	T2B
	175 w	NHIDMS17IB	26.0	T2B	NHIDMA17IB	23.0	T2B
	250 w	NHIDMS25IB	38.0	T1	NHIDMA25IB	31.0	T1
	400 w	NHIDMS4IB	41.0	T1	NHIDMA4IB	38.0	T1
METAL HALIDE	175 w	NHIDHS17IB	29.0	T2B	NHIDHA17IB	27.0	T2B
	250 w	NHIDHS25IB	36.0	T1	NHIDHA25IB	32.0	T1
	400 w	NHIDHS4IB	44.0	T1	NHIDHA41B	35.0	T1

SPARE PARTS			
<b>BALLASTS</b>	<b>LAMPS</b>	<b>LENS (T2B RATED FIXTURES)</b>	INX2152
High Pressure Sodium	High Pressure Sodium	<b>LENS (T1 RATED FIXTURES)</b>	INX2153
70w INX5087	70w INX3662	<b>GASKET (T2B RATED FIXTURES)</b>	GKT6089-49
100w INX5014	100w INX3535	<b>GASKET (T1 RATED FIXTURES)</b>	GKT6089-65
150w INX5015	150w INX3651	<b>LAMP HOLDERS</b>	
250w INX5021	250w INX3546	High Pressure Sodium (T1 rated fixtures)	INX4004
400w INX5019	400w INX3517	High Pressure Sodium (T2B rated fixtures)	INX4100
Mercury Vapor	Mercury Vapor	Mercury Vapor	INX4100
100w INX5013	100w INX3538	Metal Halide	INX4100
175w INX5012	175w INX3539	<b>MOUNTING OPTIONS</b>	
250w INX5102	250w INX3537	Surface (Aluminum or Brass)	INX7007A/B
400w INX5025	400w INX3518	Pole (Aluminum or Brass)	INX7006A/B
Metal Halide	Metal Halide	Pole (Stainless Steel)	INX7006SS
175w INX5022	175w INX3551	Right Angled	INX7058S
250w INX5102	250w INX3541	Crane Boom*	INX7001
400w INX5033	400w INX3524	*Requires Crane Boom Housing	

