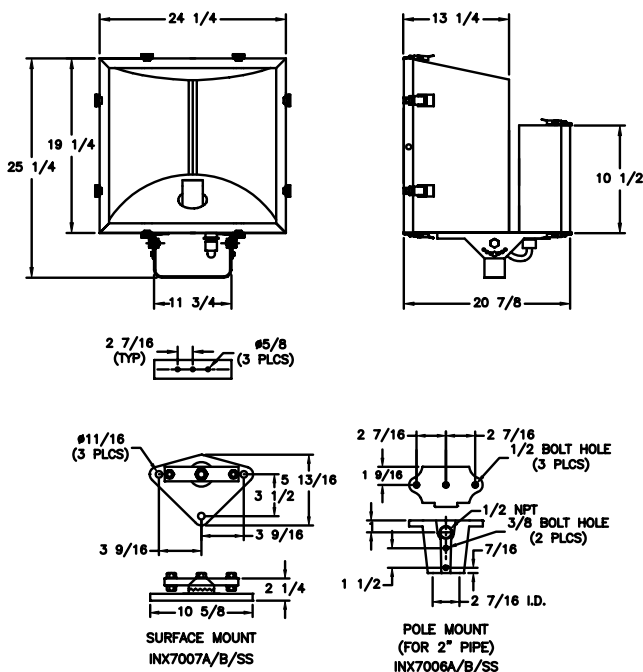




## FEATURES

- ▼ Available in 1000w High Pressure Sodium, Mercury Vapor and Metal Halide.
- ▼ Corrosion resistant housing in copper-free marine grade aluminum or 316 grade stainless steel.
- ▼ Eight positive locking stainless steel latches provide a tight weather resistant seal and easy access to interior components for maintenance.
- ▼ Field replaceable lens frame lowers total cost of ownership.
- ▼ Supplied with an HPF 120/208/240/277v AC 60Hz multi-tapped ballast allowing voltage versatility as standard. See options for other voltages.
- ▼ Choice of mounting arrangements in surface, pole, and crane boom (via a modified housing).
- ▼ 5 year warranty.

## DIMENSIONS



## APPROVALS

- ▼ UL 1598A - Marine Outside Type Saltwater
- ▼ Type 4X
- ▼ cULus
- ▼ ABS
- ▼ Conforms to IP 66

## APPLICATIONS

- ▼ Marine and wet environments
- ▼ Offshore oil and gas platforms
- ▼ Drill ships and exploration vessels
- ▼ Tankers and cargo ships
- ▼ Drilling rigs, refineries and petrochemical plants

## OPTIONS

To obtain a fixture with any of the options listed below, please add the following suffix to the part number (not all options can be combined):

- ▼ Auxiliary Quartz Light (light continuator) LC
- ▼ 220v 50Hz -225
- ▼ 220v 60Hz -226
- ▼ 245v 40Hz -245
- ▼ 480v 60Hz -486
- ▼ Remote Ballast RB
- ▼ Vibration Resistant Lampholder and Support SP
- ▼ Crane Boom Modified Housing (includes option SP) CB



# MARINE, OUTSIDE AND CORROSIVE ENVIRONMENTS HID MOGUL BASE FLOODLIGHT FIXTURES

## TECHNICAL SPECIFICATION

### HOUSING

Available in 316 grade stainless steel with a natural finish or in copper-free marine grade aluminum with an oven-cured polyester powder coated protective finish.

### LENS FRAME AND MOUNTING BRACKETS

316 marine grade stainless steel for all types.

### REFLECTORS

Highly specular hammer tone aluminum

### OUTLETS

One 3/4" NPT outlet as standard.

### LENS

High impact, thermal and shock resistant tempered glass.

### BALLAST

A multi-tapped ballast offering 120/208/240/277v AC 60Hz is supplied as standard. Remote ballast are also available. See options for other voltages and frequencies that may also be available.

### LAMP TYPE

Available in mogul base High Pressure Sodium (HPS), Mercury Vapor (MV), which operate from -40° F, and Metal Halide (MH), which operates from -20° F. Fixtures are supplied without lamps.

### GASKETS

One continuous piece of high temperature silicone gasket provides an effective seal between the lens and housing.

## HID FIXTURES

HIGH PRESSURE SODIUM	STAINLESS STEEL	WEIGHT (lbs)	ALUMINUM	WEIGHT (lbs)
1000w High Pressure Sodium	NHIDLS10IB	105.0	NHIDLA10IB	82.0
1000w Mercury Vapor	NHIDMS10IB	92.0	NHIDMA10IB	74.0
1000w Metal Halide	NHIDHS10IB	92.0	NHIDHA10IB	74.0

## SPARE PARTS

BALLASTS	Multi Tapped	480V 60Hz	LAMPS	
High Pressure Sodium	INX5027	INX5017	High Pressure Sodium 1000w	INX3530
Mercury Vapor	INX5026	INX5037	Mercury Vapor 1000w	INX3520
Metal Halide	INX5031	INX5032	Metal Halide 1000w	INX3567
<b>MOUNTING OPTIONS</b>			<b>LENS</b>	INX2156
Surface (Aluminum or Brass)		INX7007A/B-1	<b>GASKETS</b>	
Pole (Aluminum or Brass)		INX7006A/B	Lens Gasket	GKT6089-81
Crane Boom*		INX7001	Component Cover Gasket	GKT6089-49
*Requires Crane Boom Housing			<b>LAMP HOLDERS</b>	
			All types	INX4004

