



FEATURES

- ▼ Stem mount (1158) or Junction box (1159) versions available.
- ▼ Corrosion resistant housing in rugged natural heavy wall cast brass or natural copper-free marine-grade cast aluminum.
- ▼ High impact protective guard in rugged natural heavy web cast brass or natural copper-free marine-grade cast aluminum available as an option.
- ▼ Suitable for use with lamps up to 100w A-19 maximum.
- ▼ Clear or colored fresnel lens as standard with a choice of colored lens in yellow, green, red and blue.
- ▼ Unique gasketed design ensures complete weather tight seal preventing ingress of dirt and moisture into the fixture.
- ▼ Suitable for mounting base up or down.
- ▼ 5 year warranty.

APPROVALS

- ▼ UL 1598A - Marine Outside Type Saltwater
- ▼ ABS
- ▼ Conforms to IP 66

APPLICATIONS

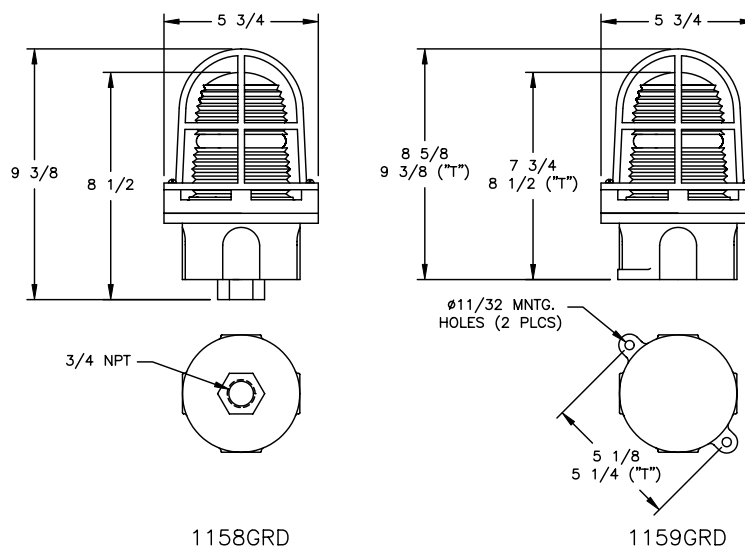
- ▼ Marine and wet environments
- ▼ Offshore oil and gas platforms
- ▼ Drill ships and exploration vessels
- ▼ Tankers
- ▼ Obstruction marking
- ▼ Heli-pad marking

OPTIONS

To obtain a fixture with any of the options listed below, please add the following suffix (not all options can be combined):

- | | |
|---|-----|
| ▼ Porcelain Lampholder | P |
| ▼ Shockproof Lampholder | SP |
| ▼ Terminal Block (4 pole) (Box type only) | T |
| ▼ Terminal Block (6 pole) (Box type only) | T6 |
| ▼ Guard | GRD |

DIMENSIONS





MARINE, OUTSIDE AND CORROSIVE ENVIRONMENTS INCANDESCENT OBSTRUCTION FIXTURES

TECHNICAL SPECIFICATION

HOUSING

Available in rugged natural heavy wall cast brass or natural copper-free marine-grade cast aluminum.

GUARD

Natural heavy web cast brass or natural copper-free marine-grade cast aluminum available as an option.

OUTLETS

Junction box units are supplied undrilled. Stem mount units are supplied drilled and tapped with one 3/4" NPT outlet as standard. Other drilling and tapping options also available (see options).

GASKETS

One piece silicone gasket provides an effective seal between the lens and housing.

LAMPHOLDER

A medium base lampholder with a nickel plated copper screw shell is supplied as standard. A porcelain or shockproof lampholder is also available as an option.

LAMP TYPE

The fixture is suitable for lamps up to 100w A-19 maximum. All fixtures are supplied without lamps.

LENS

Clear or colored glass fresnel lenses are available in yellow, green, red and blue.

TERMINAL BLOCK

A four pole or six pole terminal block is supplied as an option on junction box fixtures only.

ORDERING REFERENCES

INCANDESCENT HELIPORT DECK LIGHT				
DESCRIPTION	LAMP SIZE	BRASS WEIGHT (lbs)	BRASS TYPE (B)	ALUMINUM TYPE (A)
Stem Mount Clear Lens	100w Max A-19	8.0	1158B	1158A
Box Mount Clear Lens	100w Max A-19	9.0	1159B	1159A
Stem Mount Red Lens	100w Max A-19	8.0	1158BRED	1158ARED
Box Type Red Lens	100w Max A-19	9.0	1159BRED	1159ARED
Stem Mount Blue Lens	100w Max A-19	8.0	1158BBLU	1158ABLU
Box Mount Blue Lens	100w Max A-19	9.0	1159BBLU	1159ABLU
Stem Mount Green Lens	100w Max A-19	8.0	1158BGRN	1158AGR N
Box Mount Green Lens	100w Max A-19	9.0	1159BGRN	1159AGR N
Stem Mount Yellow Lens	100w Max A-19	8.0	1158BYEL	1158AYEL
Box Mount Yellow Lens	100w Max A-19	9.0	1159BYEL	1159AYEL

SPARE PARTS	
LAMPHOLDERS	
Standard Medium Base	INX4000
Shockproof	INX4000SP
Porcelain	INX4000P
GUARDS	
Brass Guard	INX1004B
Aluminum Guard	INX1004A
(Standard guard fits both fixture types)	
LENS (5 1/4" overall length)	
Clear	INX2058C
Green	INX2058G
Blue	INX2058B
Red	INX2058R
Yellow	INX2058Y
LAMP	
100w A-19	INX3528
TERMINAL BLOCK	
4 pole	CX3070
6 pole	CX3076
GASKETS	
Gasket set	GKT1143

