

1158D2/1159D2

1-800-826-5890 USA
1-888-675-5483 Canada
www.pauluhn.com

140



FEATURES

- ▼ Stem mount (1158) or junction box (1159) versions available.
- ▼ Corrosion resistant housing in rugged natural heavy wall cast brass or natural copper-free marine-grade cast aluminum.
- ▼ High impact protective guard in rugged natural heavy web cast brass or natural copper-free marine-grade cast aluminum available as an option.
- ▼ Suitable for use with lamps up to 100w A-19 maximum dependant on color of lens used.
- ▼ Supplied with clear fresnel lens as standard with a choice of colored lens in yellow, green, red and blue.
- ▼ Unique gasketed design ensures complete weather tight seal preventing ingress of dirt and moisture into the fixture.
- ▼ Suitable for mounting base up or down.
- ▼ 5 year warranty.

APPROVALS

- ▼ UL 844 - Hazardous Locations
Class I Division 2 Groups A, B, C & D
Class I Zone 2 Groups IIA, IIB, IIB + H2 and IIC
- ▼ ABS
- ▼ UL 1598 - Suitable for Wet Locations
- ▼ Type 4X
- ▼ Temperature rating see Order Reference
- ▼ Conforms to IP 66

APPLICATIONS

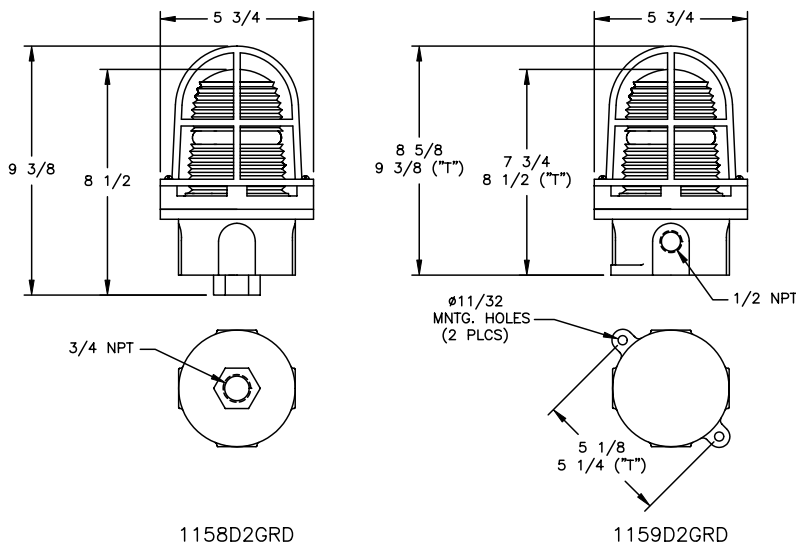
- ▼ Hazardous locations
- ▼ Marine and wet environments
- ▼ Offshore oil and gas platforms
- ▼ Drill ships and exploration vessels
- ▼ Tankers
- ▼ Obstruction marking
- ▼ Heli-pad marking

OPTIONS

To obtain a fixture with any of the options listed below, please add the following suffix to the part number (not all options can be combined):

- ▼ Porcelain Lampholder P
- ▼ Shockproof Lampholder SP
- ▼ 4 Pole Terminal Block (Box type only) T
- ▼ Guard GRD

DIMENSIONS



Dimensions in inches

HAZARDOUS LOCATIONS CLASS I DIVISION 2 HELIPORT DECK LIGHTS

TECHNICAL SPECIFICATION

HOUSING

Corrosion resistant in natural heavy wall cast brass or copper-free marine-grade cast aluminum.

GUARD

High impact protective guard in rugged natural heavy web cast brass or natural copper-free marine-grade cast aluminum available as an option.

OUTLETS

All junction box units are supplied drilled and tapped with one 1/2" NPT outlet as standard. Stem mount versions are supplied with 3/4" NPT outlets as standard. Other drilling and tapping options also available.

GASKETS

One piece silicone gasket provides an effective seal between the lens and housing.

LENS

A clear fresnel glass lens is provided as standard. Colored lenses are available in yellow, green, red and blue.

LAMPHOLDER

A medium base lampholder with a nickel plated copper screw shell is supplied as standard. A porcelain or shockproof lampholder is also available as an option.

LAMP TYPE

The fixture is suitable for lamps up to 100w A-19 maximum. A max 100w A-19 lamp may be used with clear, yellow, green and red lenses. A 40w max A-19 lamp only should be used with a blue lens. All fixtures are supplied without lamps.

TERMINAL BLOCK

A four pole terminal block is supplied as an option on junction box fixtures only.

ORDERING REFERENCES

INCANDESCENT HELIPORT DECK LIGHT						SPARE PARTS	
DESCRIPTION	MAX LAMP SIZE	TEMP CODE	BRASS WT (lbs)	BRASS TYPE (B)	ALUMINUM TYPE (A)		
Stem Mount Clear Lens	100w A-19	T2	8.0	1158BCLRD2	1158ACLRD2	LAMP HOLDERS	
Box Mount Clear Lens	100w A-19	T2C	9.0	1159BCLRD2	1159ACLRD2	Standard Medium Base	INX4000
Stem Mount Red Lens	100w A-19	T2	8.0	1158BREDD2	1158AREDD2	Shockproof	INX4000SP
Box Type Red Lens	100w A-19	T2C	9.0	1159BREDD2	1159AREDD2	Porcelain	INX4000P
Stem Mount Blue Lens	40w A-19	T2C	8.0	1158BBLUD2	1158ABLUD2	GUARDS	
Box Mount Blue Lens	40w A-19	T3A	9.0	1159BBLUD2	1159ABLUD2	Bronze Guard	INX1004B
Stem Mount Green Lens	100w A-19	T2	8.0	1158BGRND2	1158AGRND2	Aluminum Guard	INX1004A
Box Mount Green Lens	100w A-19	T2C	9.0	1159BGRND2	1159AGRND2	(Standard guard fits both fixture types)	
Stem Mount Yellow Lens	100w A-19	T2	8.0	1158BYELD2	1158AYELD2	LENS	
Box Mount Yellow Lens	100w A-19	T2C	9.0	1159BYELD2	1159AYELD2	Clear	INX2058CLR
						Green	INX2058GRN
						Blue	INX2058BLU
						Red	INX2058RED
						Yellow	INX2058YEL
						LAMP	
						40W A-19	INX3531
						100w A-19	INX3528
						TERMINAL BLOCK	
						4 Pole	CX3070
						GASKETS	
						Gasket set	GKT1143