

FEATURES

- ▼ Stem mount (1162) or Junction box (1163) versions available.
- ▼ Choice of corrosion resistant housing in rugged natural heavy wall cast bronze or natural copper-free marine-grade cast aluminum.
- ▼ High impact protective guard in rugged natural heavy web cast brass or natural copper-free marine-grade cast aluminum available as standard.
- ▼ Suitable for use with lamps up to 150w A-23 maximum.
- ▼ Supplied with a wide choice of clear or colored lens in yellow, green, red and blue.
- ▼ 5 year warranty.

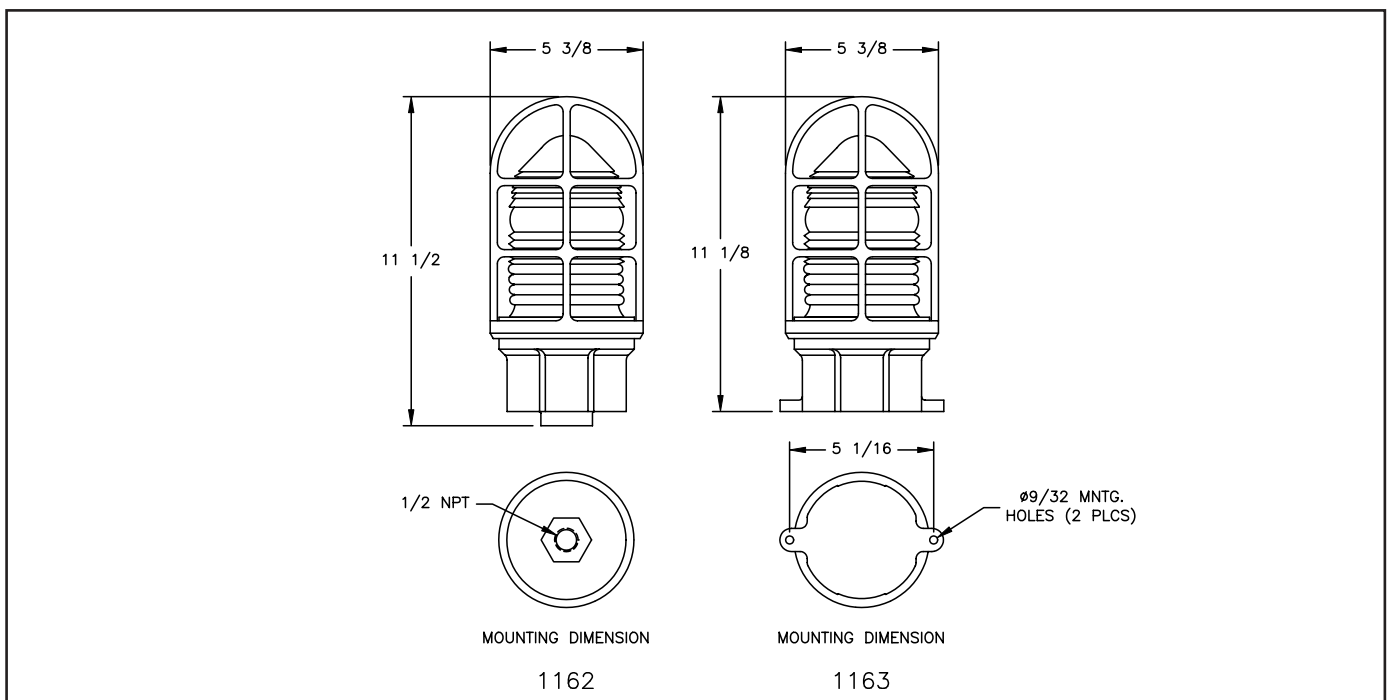
APPROVALS

- ▼ UL 1598A - Marine Outside Type Saltwater
- ▼ ABS
- ▼ Conforms to IP 66

APPLICATIONS

- ▼ Marine and wet environments
- ▼ Offshore oil and gas platforms
- ▼ Drill ships and exploration vessels
- ▼ Tankers and cargo ships
- ▼ Obstruction marking
- ▼ Heli-pad marking

DIMENSIONS



Dimensions in inches

MARINE, OUTSIDE AND CORROSIVE ENVIRONMENTS WATERTIGHT INCANDESCENT OBSTRUCTION FIXTURES



TECHNICAL SPECIFICATION

HOUSING

Available in natural heavy wall cast brass or natural copper-free marine-grade cast aluminum.

GUARD

Natural heavy web cast brass or natural copper-free marine-grade cast aluminum supplied as standard.

OUTLETS

Junction box units are supplied undrilled. Stem mount units are supplied drilled and tapped with one 1/2" NPT outlet as standard. Other drilling and tapping options are also available.

GASKETS

One piece silicone gasket provides an effective seal between the lens and housing.

LAMP TYPE

The fixture is suitable for lamps up to 150w A-23 maximum. Fixtures are supplied without lamps.

LENS

A wide choice of lenses are available in clear, yellow, green, red and blue.

LAMPHOLDER

A porcelain lampholder with a nickel plated copper screw shell is supplied as standard.

ORDERING REFERENCES

INCANDESCENT HELIPORT DECK FIXTURES					SPARE PARTS	
DESCRIPTION	MAX LAMP SIZE	BRASS WT (lbs)	BRASS TYPE (B)	ALUMINUM TYPE (A)		
Stem Mount Clear Lens	150w A-23	10.0	1162B	1162A	LAMP HOLDERS Porcelain INX4096	
Box Mount Clear Lens	150w A-23	10.3	1163B	1163A	GUARDS Brass Guard INX1038B Aluminum Guard INX1038A (Standard guard fits both fixture types)	
Stem Mount Red Lens	150w A-23	10.0	1162BRED	1162ARED	LENS (7 3/4" overall length) Clear INX2059CLR Green INX2059GRN Blue INX2059BLU Red INX2059RED Yellow INX2059YEL	
Box Type Red Lens	150w A-23	10.3	1163BRED	1163ARED	LAMP 150w A-23 INX3703	
Stem Mount Blue Lens	150w A-23	10.0	1162BBLU	1162ABLU	GASKETS Lens Gasket GKT1011SIL	
Box Mount Blue Lens	150w A-23	10.3	1163BBLU	1163ABLU		
Stem Mount Green Lens	150w A-23	10.0	1162BGRN	1162AGR N		
Box Mount Green Lens	150w A-23	10.3	1163BGRN	1163AGR N		
Stem Mount Yellow Lens	150w A-23	10.0	1162BYEL	1162AYEL		
Box Mount Yellow Lens	150w A-23	10.3	1163BYEL	1163AYEL		