



FEATURES

- ▼ Junction box (7120) or Stem mount (7121) versions.
- ▼ Choice of corrosion resistant housing in rugged natural heavy wall cast brass or natural copper-free marine-grade cast aluminum.
- ▼ High impact protective guard in rugged natural heavy web cast brass or natural copper-free marine-grade cast aluminum available as an option.
- ▼ Xenon strobe output rated at 50 ECP (effective candle power).
- ▼ Wide voltage operation on 120v AC, 240v AC and 12-48v DC.
- ▼ Supplied with clear fresnel lens as standard with a wide choice of colored lens: yellow, green, red and blue.
- ▼ Unique gasketed design ensures complete weather tight seal preventing ingress of dirt or moisture into the fixture.
- ▼ Suitable for mounting base up or down.
- ▼ 5 year warranty.

APPROVALS

- ▼ CSA
Class I Division 2 Groups A B C & D
- ▼ Enclosure Type 4X
- ▼ ABS
- ▼ Conforms to IP 66
- ▼ Temperature Code T6

APPLICATIONS

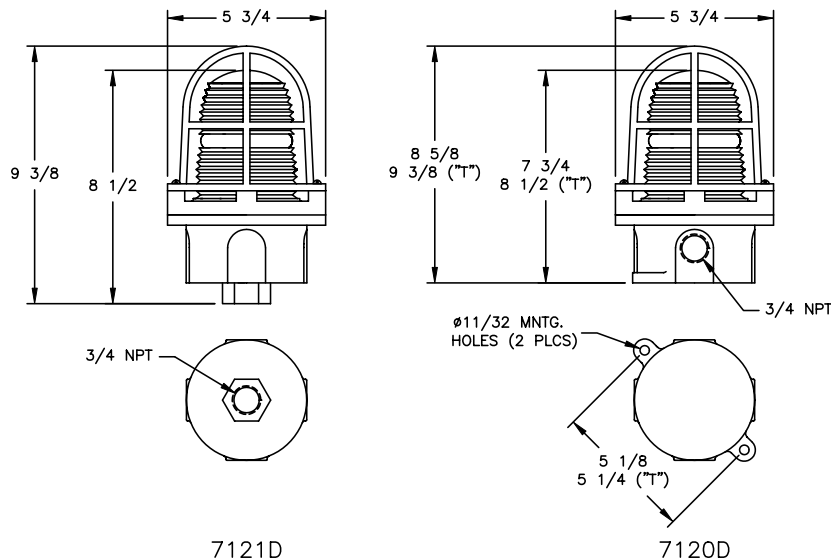
- ▼ Marine and wet environments
- ▼ Offshore oil and gas platforms
- ▼ Drill ships and exploration vessels
- ▼ Tankers and cargo ships
- ▼ Obstruction marking
- ▼ Heli-pad marking

OPTIONS

To obtain a fixture with any of the options listed below, please add the following suffix to the part number (not all options can be combined):

- | | |
|----------------------------------|------|
| ▼ 12v -48v DC | LV |
| ▼ 240v 50/60Hz | -240 |
| ▼ Guard | D |
| ▼ Terminal Block (box type only) | T |

DIMENSIONS



MARINE, OUTSIDE AND CORROSIVE ENVIRONMENTS WATERTIGHT XENON STROBE WARNING LIGHTS

TECHNICAL SPECIFICATION

HOUSING

Available in natural heavy wall cast brass or natural copper-free marine-grade cast aluminum.

GUARD

Natural heavy web cast brass or natural copper-free marine-grade cast aluminum available as an option.

OUTLETS

All junction box units are supplied drilled and tapped $\frac{3}{4}$ " NPT four way with three plugs. Stem mount units are supplied drilled and tapped with one $\frac{3}{4}$ " NPT outlet as standard.

GASKETS

One piece silicone gasket provides an effective seal between the lens and housing.

TERMINAL BLOCK

A 4 pole terminal block is available as an option for box type only.

CIRCUIT BOARD

All fixtures are supplied complete with boards rated to operate on 120v AC 60Hz. Other options include 240v 50/60Hz and 12-48v DC.

LAMP TYPE

All fixtures are supplied complete with a xenon strobe lamp.

LENS

A clear high impact fresnel glass lens is provided as standard. Colored lenses are available in yellow, green, red and blue.

CURRENT DRAW

120v AC 50/60 Hz = .10 amps
240v AC 50/60 Hz = .07 amps
LV 12-48v DC = .44 - .10 amps

ORDERING REFERENCES

INCANDESCENT HELIPORT DECK LIGHT				
DESCRIPTION	BRASS TYPE (B)	BRASS WEIGHT (lbs)	ALUMINUM TYPE (A)	ALUMINUM WEIGHT (lbs)
STEMMOUNT				
Clear Lens	7121BCG	8.0	7121ACG	3.5
Red Lens	7121BRG	8.0	7121ARG	3.5
Blue Lens	7121BBG	8.0	7121ABG	3.5
Green Lens	7121BGG	8.0	7121AGG	3.5
Yellow Lens	7121BYG	8.0	7121AYG	3.5
BOX TYPE				
Clear Lens	7120BCG	8.0	7120ACG	3.5
Red Lens	7120BRG	8.0	7120ARG	3.5
Blue Lens	7120BBG	8.0	7120ABG	3.5
Green Lens	7120BGG	8.0	7120AGG	3.5
Yellow Lens	7120BYG	8.0	7120AYG	3.5

SPARE PARTS

GUARDS

Bronze Guard INX1004B
Aluminum Guard INX1004A
(Standard guard fits both fixture types)

LENS (5 1/2" overall height)

Clear INX2058C
Green INX2058G
Blue INX2058B
Red INX2058R
Yellow INX2058Y

LAMP

Xeron INX3724

GASKETS

Gasket Set GKT1143

CIRCUIT BOARDS

120v AC INX3390
240v AC INX3391
12-28v DC INX3392