



FEATURES

- ▼ 100w Quartz Halogen with rotating reflector at 75 RPM in Bulkhead (EPB), Ceiling (EPC) or Pendant (EPP) mounts.
- ▼ Corrosion resistant housing in rugged natural heavy wall cast brass or natural copper-free marine-grade cast aluminum.
- ▼ Heavy web cast brass or copper-free marine-grade aluminum protective guard prevents damage to globe available as an option.
- ▼ 120v AC 50 or 60Hz as standard. Other options available.
- ▼ Supplied with a clear heat resistant high impact globe as standard. A choice of colored globes in yellow, green, red and blue is also available.
- ▼ Ideal choice for locations where flammable gases or corrosive atmospheres may be present.
- ▼ For vertical mounting. Lamp base up only.
- ▼ 5 year warranty.

APPROVALS

- ▼ UL 844 - Hazardous Locations
Class I Divisions 1 & 2 Groups C & D
- ▼ UL 1638 - Marine Visual Signaling Device
- ▼ Type 4X
- ▼ ABS
- ▼ Temperature rating T3
- ▼ Conforms to IP 66

APPLICATIONS

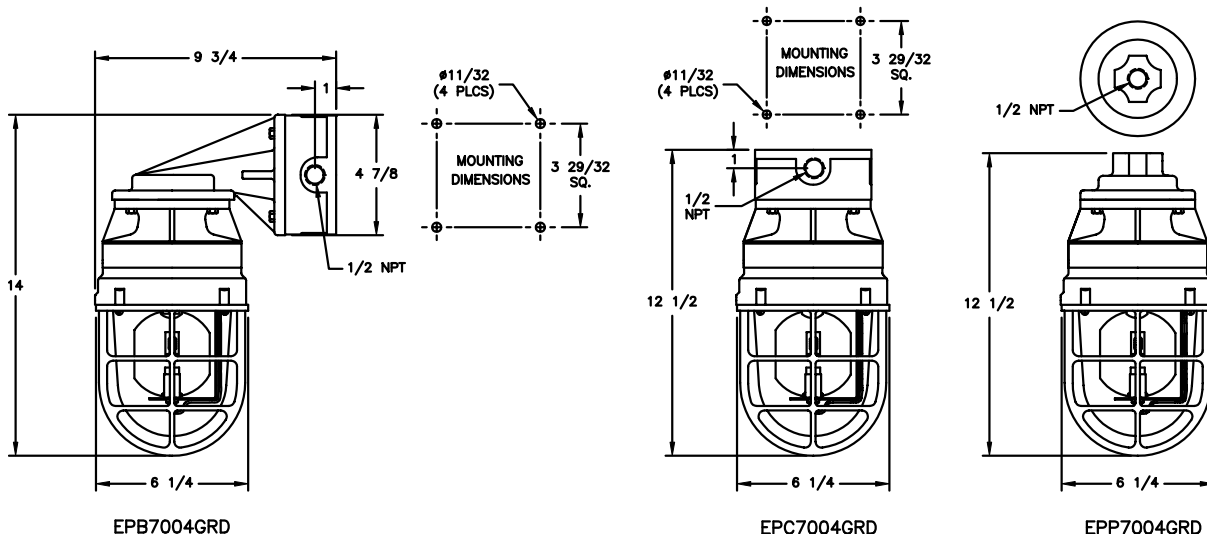
- ▼ Hazardous locations
- ▼ Marine and wet environments
- ▼ Offshore oil and gas platforms
- ▼ Drill ships and exploration vessels
- ▼ Tankers
- ▼ Obstruction marking
- ▼ Process/Environmental signaling

OPTIONS

To obtain a fixture with any of the options listed below, please add the following suffix to the part number (not all options can be combined):

- | | |
|-------------------|-----|
| ▼ 12v DC Type | -5 |
| ▼ 240v AC 50/60Hz | -4 |
| ▼ Red Lens | RED |
| ▼ Blue Lens | BLU |
| ▼ Green Lens | GRN |
| ▼ Yellow Lens | YEL |
| ▼ Guard | GRD |

DIMENSIONS



HAZARDOUS LOCATIONS CLASS I DIVISION 1 EXPLOSION PROOF INCANDESCENT ROTATING BEACONS



TECHNICAL SPECIFICATION

HOUSING

Available in natural heavy wall cast brass or natural copper-free marine-grade cast aluminum.

GUARD

Natural heavy web cast brass or natural copper-free marine-grade aluminum available as an option.

OUTLETS

All units are supplied drilled and tapped with one 1/2" NPT outlets as standard. Junction box types (ceiling/bulkhead) can be supplied with a maximum of four 3/4" NPT outlets. Pendant types can be supplied with a maximum of one 3/4" NPT outlet only.

GASKETS

One continuous piece neoprene gasket provides an effective seal between the globe and housing.

VOLTAGE OPERATION

Standard voltage operation is 120v AC 60Hz. Other options available in 12v DC, or 240v AC 50 or 60Hz. See options for ordering details.

LAMP TYPE

A 100w quartz halogen lamp is supplied with each fixture as standard.

GLOBE

A clear heat and impact resistant glass globe is provided as standard. Colored types are available in yellow, green, red and blue.

HARDWARE

Stainless steel for all types.

ORDERING REFERENCES

ROTATING BEACONS				
DESCRIPTION	BRASS TYPE (B)	BRASS WT (lbs)	ALUMINUM TYPE (A)	ALUMINUM WT (lbs)
Ceiling Mount	EPC7004B	22.0	EPC7004A	9.0
Pendant Mount	EPP7004B	20.0	EPP7004A	8.0
Bulkhead Mount	EPB7004B	29.0	EPB7004A	11.5

SPARE PARTS	
GUARDS	
Bronze	INX1005B
Aluminum	INX1005A
(Standard guard fits all fixture types)	
MOTORS	
120v AC 60Hz	INX3345
240v AC 50 or 60Hz	INX3345-4
12v DC	INX3345-5
LAMP HOLDERS	INX4011
GLOBE ASSEMBLY	
Bronze Clear	INX9012B
Aluminum Clear	INX9012A
Bronze Red	INX9012BRED
Aluminum Red	INX9012ARED
Bronze Blue	INX9012BBLU
Aluminum Blue	INX9012ABLU
Bronze Green	INX9012BGRN
Aluminum Green	INX9012AGRN
Bronze Yellow	INX9012BYEL
Aluminum Yellow	INX9012AYEL
LAMPS	
100w Quartz Halogen 120v AC	INX3629
100w Quartz Halogen 240v AC	INX3680
100w Quartz Halogen 12v AC	INX3671

© Copyright 2004. Not to be reproduced without express permission of Pauluhn Electric Manufacturing, LLP.

STROBES, MARKER LIGHTS & ROTATING BEACONS



THE PAULUHN GROUP

ABS

THE PAULUHN GROUP

ABS