



FEATURES

- ▼ Aeronautical obstruction light with bottom or side entry versions.
- ▼ Corrosion resistant housing in rugged copper-free marine-grade cast aluminum.
- ▼ Available in single and double lamp units.
- ▼ Suitable for use with lamps up to 116w A-21 maximum.
- ▼ Quick and easy relamping through quick release side latches.
- ▼ Supplied with a red fresnel lens as standard.
- ▼ Optional transfer relay for use on 116w lamps allows power to be transferred to a second lamp on the first lamp failure.
- ▼ 5 year warranty.

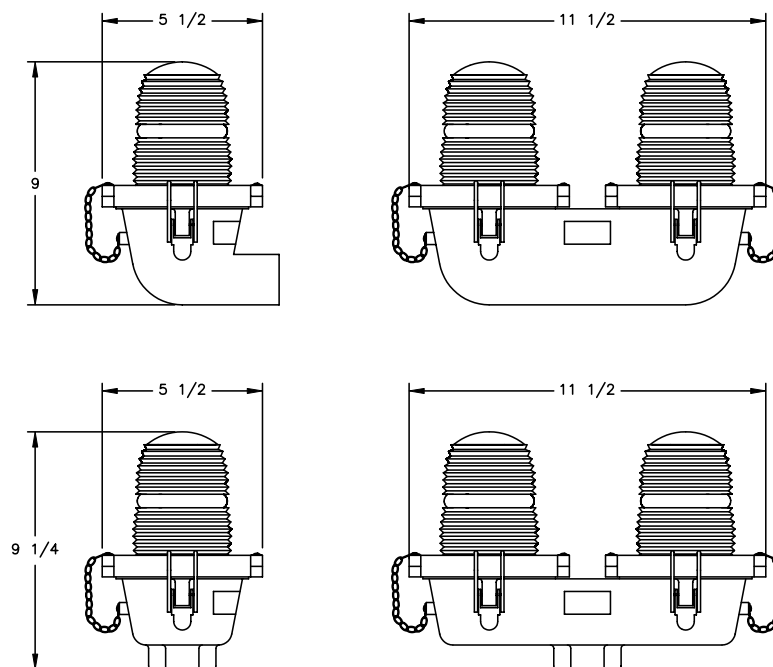
APPROVALS

- ▼ FAA L810
- ▼ (AC 150/5345 - 43D)

APPLICATIONS

- ▼ Airports
- ▼ Vessel Mast Obstruction
- ▼ Drill ships and Tankers
- ▼ Cargo ships
- ▼ Crane Boom Marking
- ▼ Heli-pad marking

DIMENSIONS



Dimensions in inches

MARINE, OUTSIDE AND CORROSIVE ENVIRONMENTS AERONAUTICAL INCANDESCENT OBSTRUCTION LIGHTS

TECHNICAL SPECIFICATION

HOUSING

Available in copper-free marine-grade cast aluminum.

OUTLETS

Available with bottom or side entry $\frac{3}{4}$ " or 1" conduit entrance taps.

GASKETS

One continuous piece extruded long life neoprene gasket provides an effective seal between the lens and housing.

LAMPHOLDER

Double lamp units are supplied with two medium screw base lampholders while the single units have one medium screw base lampholder.

VOLTAGE OPERATION

All fixtures are supplied rated to operate up to 230v AC.

LAMP TYPE

Both the fixture types are suitable for 116w A-21 lamps maximum. Fixtures are supplied without lamps.

RETAINING CHAIN

A stainless steel retaining chain is provided. Fastened between the base and the lens holder to support and help prevent damage or loss of the lens during servicing.

ORDERING REFERENCES

INCANDESCENT AERONAUTICAL OBSTRUCTION FIXTURES

DESCRIPTION	MAX LAMP SIZE & NO	WEIGHT (lbs)	CONDUIT ENTRANCE	CONDUIT TAP	LAMPHOLDER	TYPE
Single Unit	1 x 116w	4.0	Side	$\frac{3}{4}$ "	Medium Base	POB21A31
Single Unit	1 x 116w	4.0	Side	1"	Medium Base	POB21A41
Single Unit	1 x 116w	4.0	Bottom	$\frac{3}{4}$ "	Medium Base	POB20A31
Single Unit	1 x 116w	4.0	Bottom	1"	Medium Base	POB20A41
Double Unit Base	2 x 116w	8.0	Bottom	$\frac{3}{4}$ "	Two Medium	POB22-A31
Double Unit Base	2 x 116w	8.0	Bottom	1"	Two Medium	POB22-A41
Double Unit w/Transfer Relay	2 x 116w	8.0	Bottom	1"	Two Medium Base and Relay	POB22TR-4
Double Unit w/Cable Support	2 x 116w	8.0	Bottom	1"	Two Medium Base and Support	POB22CS-4
Double Unit	2 x 116w	8.0	Side	$\frac{3}{4}$ "	Two Medium Base	POB24 A3
Double Unit Base	2 x 116w	8.0	Side	1"	Two Medium	POB24-A41
Double Unit w/Transfer Relay	2 x 116w	8.0	Side	$\frac{3}{4}$ "	Two Medium Base and Relay	POB24TR-3
Double Unit w/Transfer Relay	2 x 116w	8.0	Side	1"	Two Medium Base and Relay	POB24TR-4

SPARE PARTS

LAMP 116w A-21/TS 120v POL116B	LAMP HOLDER PLX1019 SPRING FOR LATCH PHA5037 TRANSFER RELAY PKR1050A	RED LENS PGL1020 LENS HOLDER ASSEMBLY PAU5039
NEOPRENE GASKET PPK1095A		