



FEATURES

- ▼ Choice of watertight or weatherproof units.
- ▼ Watertight units available in single or double gang types dependant on type.
- ▼ Weatherproof units available in single gang only.
- ▼ Watertight units available in corrosion resistant heavy wall cast brass and copper-free marine-grade cast aluminum enclosures, weatherproof units are only available in copper-free marine-grade cast aluminum enclosures.
- ▼ Switches rated at 20A or 30A 250v AC max or 15A 277v AC max dependant on type.
- ▼ Wide range of switch types in single pole, double pole, three way or four way units.
- ▼ 5 year warranty.

APPROVALS

- ▼ ABS
- ▼ Type 4X
- ▼ Conforms to IP 66 (2100/4100 Series)
- ▼ Conforms to IP 52 (2400 Series)

APPLICATIONS

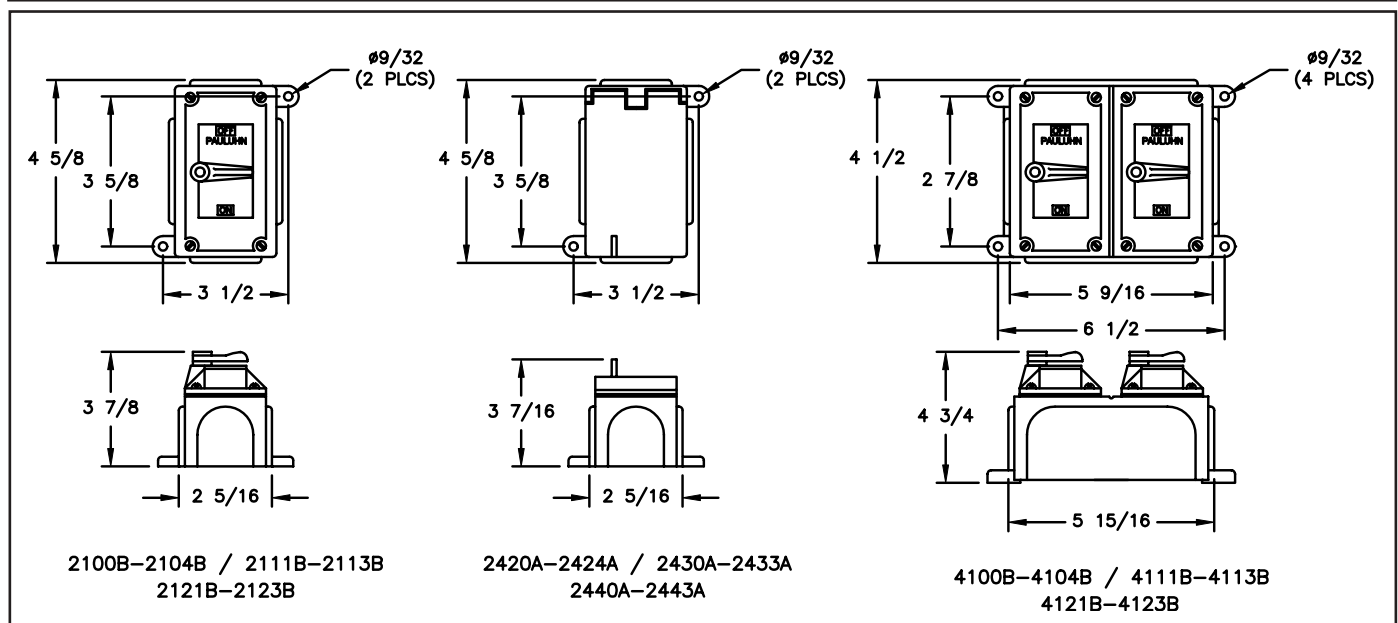
- ▼ Marine and wet environments
- ▼ Offshore oil and gas platforms
- ▼ Drill ships and exploration vessels
- ▼ Tankers
- ▼ Ferries/Passenger Ships

OPTIONS

To obtain a fixture with any of the following options listed below add the following suffix:

- ▼ Locking Device (Watertight units only) LT

DIMENSIONS



Dimensions in inches

MARINE, OUTSIDE AND CORROSIVE ENVIRONMENTS WATERTIGHT AND WEATHERPROOF SWITCHES



TECHNICAL SPECIFICATION

HOUSING

Watertight units are available in natural heavy wall cast brass or natural copper-free marine-grade cast aluminum. Weatherproof units are available in copper-free marine-grade cast aluminum only. Weatherproof units have a grey oven-cured polyester powder coated covers.

HARDWARE

Stainless steel for all types.

OUTLETS

All units are furnished blank. All units regardless of single or double gang can be supplied with up to four 1" NPT outlets. Please state requirements on application.

SWITCHES

All units are available in single pole, double pole, three way and four way types and are available in single or double gang units. A locking device is available as an option on watertight units only.

VOLTAGE OPERATION

All units are available for operation on 15 Amp 227v AC max. Watertight units with single pole, double pole and three way switches also available for operation on 20 Amp 250v AC max and 30 Amp 250v AC max in both single and two gang types. Watertight units with four way switches are only available for operation on 15 Amp 277v AC max. Weatherproof units with single pole, double pole or three way switches are also available for operation on 20 Amp 250v AC and 30 Amp 250v AC. Weatherproof units with four way switches are available for operation on 15 Amp 277v AC only. Weatherproof single pole 30 Amp switches are rated for operation up to 277v AC max*.

ORDERING REFERENCES

MARINE WATERTIGHT AND WEATHERPROOF SWITCHES

DESCRIPTION	VOLTAGE	BRASS WT (lbs) SINGLE GANG	BRASS (B) SINGLE GANG	BRASS (B) DOUBLE GANG	ALUMINUM (A) SINGLE GANG	ALUMINUM (A) DOUBLE GANG
Watertight Single Pole	15A 277v AC	4.3	2100B	4100B	2100A	4100A
	20A 250v AC	4.3	2111B	4111B	2111A	4111A
	30A 250v AC	4.3	2121B	4121B	2121A	4121A
Watertight Double Pole	15A 277v AC	4.3	2102B	4102B	2102A	4102A
	20A 250v AC	4.3	2112B	4112B	2112A	4112A
	30A 250v AC	4.3	2122B	4122B	2122A	4122A
Watertight Three Way	15A 277v AC	4.3	2103B	4103B	2103A	4103A
	20A 250v AC	4.3	2113B	4113B	2113A	4113A
	30A 250v AC	4.3	2123B	4123B	2123A	4123A
Watertight Four Way	15A 277v AC	4.3	2104B	4104B	2104A	4104A
	20A 250v AC	N/A	N/A	N/A	N/A	N/A
	30A 250v AC	N/A	N/A	N/A	N/A	N/A
Weatherproof Single Pole	15A 277v AC	1.8	N/A	N/A	2420A	N/A
	20A 250v AC	1.8	N/A	N/A	2430A	N/A
	30A 250v AC	1.8	N/A	N/A	2440A*	N/A
Weatherproof Double Pole	15A 277v AC	1.8	N/A	N/A	2422A	N/A
	20A 250v AC	1.8	N/A	N/A	2432A	N/A
	30A 250v AC	1.8	N/A	N/A	2442A	N/A
Weatherproof Three Way	15A 277v AC	1.8	N/A	N/A	2423A	N/A
	20A 250v AC	1.8	N/A	N/A	2433A	N/A
	30A 250v AC	1.8	N/A	N/A	2443A	N/A
Weatherproof Four Way	15A 277v AC	1.8	N/A	N/A	2424A	N/A
	20A 250v AC	N/A	N/A	N/A	N/A	N/A
	30A 250v AC	N/A	N/A	N/A	N/A	N/A

*Rated for operation up to 277v AC

SPARE PARTS

COVERS		WATERTIGHT BOXES		WEATHERPROOF BOXES					
Watertight Brass	INX6547B	Single Box Brass	NX6030B	Single Box Aluminum	INX6030A				
Watertight Aluminum	INX6547A	Single Box Aluminum	INX6030A	DOUBLE POLE SWITCHES					
Weatherproof Aluminum	INX6548A	Double Box Brass	INX6067B			15 Amp 277v AC	INX3002		
GASKETS		Double Box Aluminum	INX6067A	20 Amp 250v AC	INX3038				
		15 Amp 277v AC	INX3002	30 Amp 250v AC	INX3008				
Watertight Units	GKT6008	SINGLE POLE SWITCHES							
Weatherproof Units	Supplied complete with Cover								
THREE WAY SWITCHES		FOUR WAY SWITCHES							
						15 Amp 277v AC	INX3040	15 Amp 277v AC	INX3009
						20 Amp 250v AC	INX3041		
30 Amp 250v AC	INX3042								