



## FEATURES

- ▼ Straight blade 2P3W type receptacles.
- ▼ Available in 15/20 Amp 125v AC and 15/20 Amp 250v AC with interiors to NEMA configurations.
- ▼ Choice of corrosion resistant enclosures in heavy copper-free marine-grade cast aluminum.
- ▼ Both horizontal or vertical configurations available.
- ▼ 5 year warranty.

## APPROVALS

- ▼ ABS
- ▼ NEMA 5-15R, 5-20R, 6-15R, 6-20R
- ▼ Conforms to IP 52

## APPLICATIONS

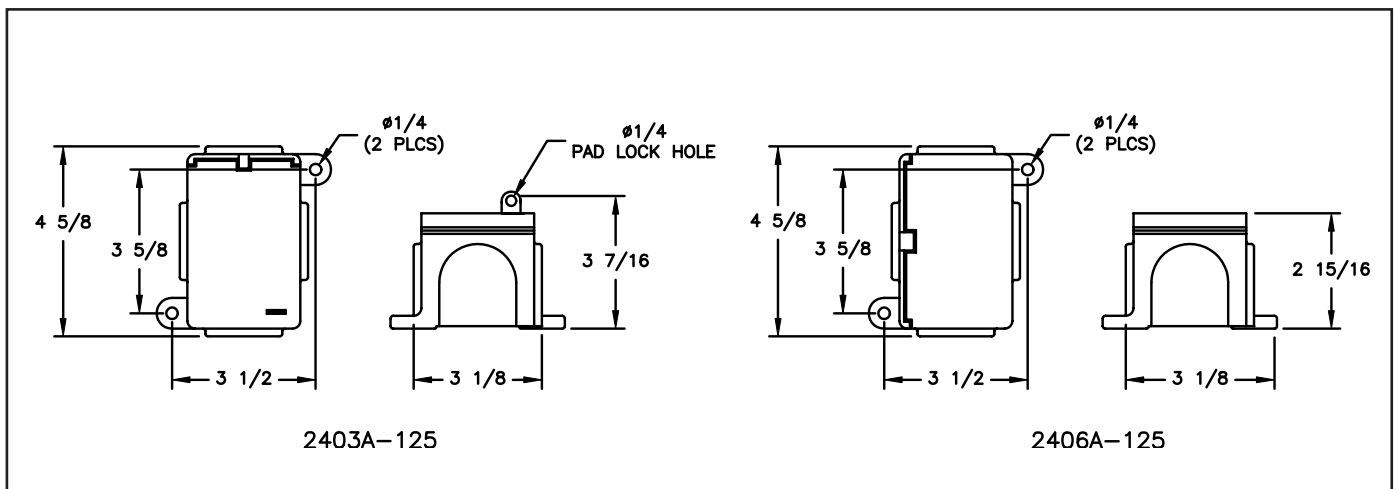
- ▼ Marine and wet environments
- ▼ Offshore oil and gas platforms
- ▼ Drill ships and exploration vessels
- ▼ Tankers

## OPTIONS

To obtain a fixture with any of the options listed below add the following suffix (not all options can be combined):

- ▼ Ground Fault Circuit (for 125v AC only) Interrupter Receptacle GF

## DIMENSIONS



Dimensions in inches

# MARINE, OUTSIDE AND CORROSIVE ENVIRONMENTS WEATHERPROOF RECEPTACLES



## TECHNICAL SPECIFICATION

### HOUSINGS

Heavy copper-free marine-grade cast aluminum with an oven-cured polyester powder coated grey protective finish.

### HARDWARE

Stainless steel.

### OUTLETS

All units are supplied blank as standard but are suitable for supply with up to four 1" NPT outlets. Please state requirements on application.

### VOLTAGE OPERATION SWITCHES

Both horizontal and vertical types have units that will operate on 15/20 Amp 125v or 250v AC. All interiors have NEMA configurations as follows: 15 Amp 125v AC NEMA 5-15R, 15 Amp 250v AC NEMA 6-15R, 20 Amp 125v AC NEMA 5-20R, 20Amp 250v AC NEMA 6-20R

### MOUNTING

Units are mounted using two 1/4" Ø mounting holes.

## ORDERING REFERENCES

### MARINE WEATHERPROOF RECEPTACLES

DESCRIPTION	ALUMINUM WEIGHT (lbs)	15/20 AMP 125V NEMA 5-20R	15/20 AMP 250V NEMA 6-20R
Vertical	1.8	2405A-125	2405A-250
Horizontal	1.8	2407A-125	2407A-250

### SPARE PARTS

BOXES		COVER	
Vertical	INX6030A	Vertical	INX6549A
Horizontal	INX6030A-H	Horizontal	INX6501A
RECEPTACLES			
20 Amp 125v	INX3164		
20 Amp 250v	INX3165		