



FEATURES

- ▼ Double pole rotary switches rated for operation on 20 Amp 240v AC max, supplied standard on some models.
- ▼ Choice of corrosion resistant enclosures in heavy wall cast brass or copper-free marine-grade cast aluminum.
- ▼ Receptacles are supplied with 2P3W (U-Ground, Straight Blade type) 125v AC 15/20 Amp interior. 250v AC units are available as an option.
- ▼ Receptacles will accept 15 or 20 Amp plugs.
- ▼ 5 year warranty.

APPROVALS

- ▼ NEMA 5-15R, 6-15R, 5-20R, 6-20R
- ▼ ABS
- ▼ Type 4X
- ▼ Conforms to IP 66

APPLICATIONS

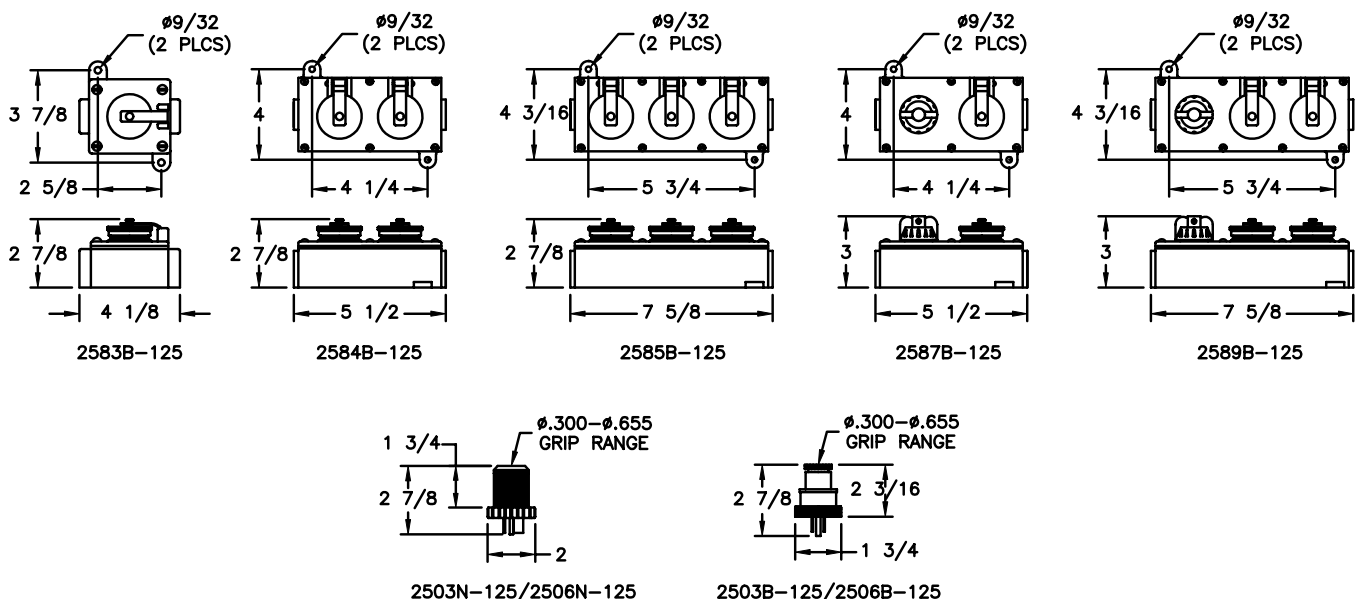
- ▼ Marine and wet environments
- ▼ Offshore oil and gas platforms
- ▼ Drill ships and exploration vessels
- ▼ Tankers
- ▼ Ferries/Passenger Ships

OPTIONS

To obtain a fixture with one of the following options listed below add the following suffix:

- ▼ 250v AC -250 (Replace -125 suffix)

DIMENSIONS



MARINE, OUTSIDE AND CORROSIVE ENVIRONMENTS WATERTIGHT SWITCHES AND RECEPTACLES FOR SURFACE MOUNT



TECHNICAL SPECIFICATION

HOUSING

Heavy wall marine grade brass or copper-free marine-grade cast aluminum with a natural finish.

HARDWARE

Stainless steel for all types

OUTLETS

All units are furnished blank but can be supplied with up to two 3/4" NPT outlets. Please state requirements on application.

VOLTAGE OPERATION SWITCHES

Double pole rotary switches are available for operation up to 20 Amp 240v AC max.

RECEPTACLES

Supplied with a 2P3W U-Ground Straight Blade type 125v AC 15/20 Amp interior. 250v is available as an option.

ORDERING REFERENCES

MARINE WATERTIGHT SWITCHES AND RECEPTACLES FOR SURFACE MOUNT

DESCRIPTION	AMP	BRASS TYPE (B)	BRASS WT (lbs)	ALUMINUM TYPE (A)	ALUMINUM WT (lbs)
One Receptacle	20	2583B-125	3.0	2583A-125	1.0
Two Receptacles	20	2584B-125	4.0	2584A-125	1.5
Three Receptacles	20	2585B-125	7.0	2585A-125	2.5
One Receptacle with Double Pole Switch	20	2587B-125	4.0	2587A-125	1.5
Two Receptacles with Double Pole Switch	20	2589B-125	6.0	2589A-125	2.1
Metal Plug	15 20	2503B-125 2506B-125	0.8 0.8	2503A-125 2506A-125	0.8 0.8
Nylon Plug	15 20	2503N-125 2506N-125	0.5 0.5	2503N-125 2506N-125	0.5 0.5

SPARE PARTS

COVERS	BRASS (B)	ALUMINUM (A)	KNOB AND SHAFT ASSEMBLY	
One Receptacle	INX6526B	INX6526A	Brass	INX8002B
Two Receptacles	INX6527B	INX6527A	Aluminum	INX8002A
Three Receptacles	INX6528B	INX6528A	15 AMP 125V INTERIORS	
One Receptacle with Switch	INX6529B	INX6529A	Nylon Plug	2503NR-125
Two Receptacles with Switch	INX6530B	INX6530A	15 AMP 250V INTERIORS	
One Receptacle	INX6002B	INX6002A	Nylon Plug	2503NR-250
Two Receptacles	INX6003B	INX6003A	20 AMP 125V INTERIORS	
Three Receptacles	INX6014B	INX6014A	Receptacle	INX3181
One Receptacle with Switch	INX6003B	INX6003A	Nylon Plug	2506NR-125
Two Receptacles with Switch	INX6014B	INX6014A	20 AMP 250V INTERIORS	
One Receptacle	GKT4000		Receptacle	INX3182
Two Receptacles	GKT5001		Nylon Plug	2506NR-250
Three Receptacles	GKT5028		CAPS	
One Receptacle with Switch	GKT5001		Brass	INX8008B
Two Receptacles with Switch	GKT5028		Aluminum	INX8008A
SWITCHES				
Double Pole	INX3192			