



FEATURES

- ▼ Choice of 15 or 20 Amp plugs.
- ▼ Rated for voltage operation on 125v, 250v, 277v or 600v max AC dependant on type.
- ▼ Choice of corrosion resistant enclosures in heavy wall cast brass, copper-free marine-grade cast aluminum or non-metallic.
- ▼ Single or double pole switches.
- ▼ 3 way or 4 way switches.
- ▼ Receptacles will accept 15A or 20A plugs.
- ▼ 5 year warranty.

APPROVALS

- ▼ NEMA 5-15R, 6-15R, 5-20R, 6-20R
- ▼ ABS
- ▼ Conforms to IP 20

APPLICATIONS

- ▼ Marine and wet environments
- ▼ Offshore oil and gas platforms
- ▼ Drill ships and exploration vessels
- ▼ Tankers
- ▼ Ferries/Passenger Ships

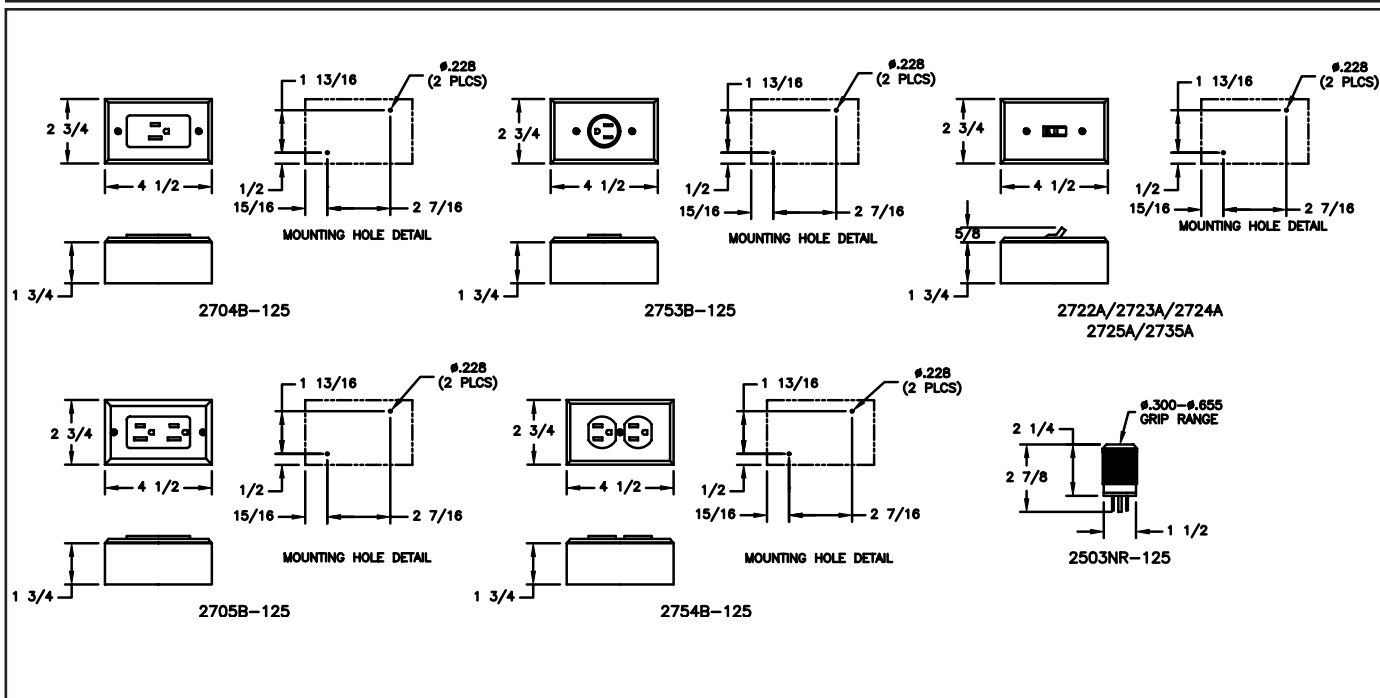
OPTIONS

To obtain a fixture with one of the following options listed below add the following suffix (not all options can be combined):

- | | |
|---|------|
| ▼ 120v Ground Fault Circuit Interrupter | GF* |
| ▼ Flush Mount Unit | F |
| ▼ 20A 250v AC | -250 |

* For double receptacle 120v only.

DIMENSIONS



Dimensions in inches

INSIDE TYPE RECEPTACLES AND SWITCHES FOR SURFACE OR FLUSH MOUNT



TECHNICAL SPECIFICATION

HOUSING

Heavy wall marine grade brass, copper-free marine-grade cast aluminum or non-metallic. The metallic units have boxes with a natural finish and covers in a brush finish. Brass units are supplied with brass covers and aluminum units with stainless steel covers.

HARDWARE

Stainless steel for all types

OUTLETS

All units are furnished blank. They can be supplied with up to two 3/4" NPT outlets as an option. Please state requirements on application.

VOLTAGE OPERATION RECEPTACLES

20 Amp units can be supplied in 125v AC max, 250v max or 277v AC max. A NEMA 5-20R configuration is supplied on 20 Amp 125v AC max units. 20 Amp 250v AC max units are supplied with a NEMA 6-20R configuration.

SWITCHES

Single and double pole switches are available in 20 Amp 277v AC max. Three pole switches are available in 20 Amp 600v AC max. Three way and four way switches are available in 15 Amp 277v AC or 20 Amp 277v AC max.

ORDERING REFERENCES

MARINE INSIDE TYPE SWITCHES AND RECEPTACLES

DESCRIPTION	AMP	VOLTAGE	BRONZE WT (lbs)	BRONZE TYPE	ALUMINUM TYPE	NON-METALLIC TYPE
Blank Box with Cover	N/A	N/A	1.8	2700B	2700A	N/A
One Rectangular Face Single Receptacle	20	125v AC Max	2.0	2704B-125	2704A-125	2704PL-125
One Rectangular Face Double Receptacle	20	125v AC Max	2.0	2705B-125	2705A-125	2705PL-125
One Round Face Single Receptacle	20	125v AC Max	2.0	2753B-125	2753A-125	2753PL-125
Two Semi-Oval Face Receptacle	20	125v AC Max	2.0	2754B-125	2754A-125	2754PL-125
One Single Pole Switch	20	277v AC Max	2.0	2722B	2722A	2722PL
One Double Pole Switch	20	277v AC Max	2.0	2723B	2723A	2723PL
One Three Pole Switch	20 30	600v AC Max 250v AC Max	2.0 2.0	2735B	2735A	2735PL
One Three Way Switch	20	277v AC Max	2.0	2724B	2724A	2724PL
One Four Way Switch	20	277v AC Max	2.0	2725B	2725A	2725PL

SPARE PARTS

COVERS BRASS (B), ALUMINUM (A) OR NON-METALLIC (PL)		FLUSH COVERS BRASS (B), ALUMINUM (A) OR NON-METALLIC (PL)					
One Square Face Single or Double Receptacle	INX6559B/A/PL	One Square Face Single or Double Receptacle	INX6560B/A/PL				
One Round Face Receptacle	INX6684B/A/PL	One Round Face Receptacle	INX6688B/A/PL				
Two Semi-Oval Receptacles	INX6685B/A/PL	Two Semi-Oval Receptacles	INX6689B/A/PL				
Switches	INX6561B/A/PL	Switches	INX6562B/A/PL				
Blank Cover	INX6032B/A						
BOXES		SWITCHES					
One Square Face Single or Double Receptacle	INX6033B/A/PL	Single Pole	INX3025				
One Round Face Receptacle	INX6033B/A/PL	Double Pole	INX3038				
Two Semi-Oval Receptacles	INX6033B/A/PL	Three Pole	INX3013				
Switches	INX6033B/A/PL	Three Way	INX3041				
		Four Way	INX3202				
RECEPTACLES		20A 125v	20A 250v	PLUGS	15 Amp	125v AC Max	2503NR-125
One Square Face GFCI Double Receptacle	INX3329	N/A	INX3278	Plug 5-15P	20 Amp	125v AC Max	2506NR-125
One Square Face Receptacle	INX3277			Plug 5-20P			
One Square Face Double Receptacle	INX3130		INX3131				
One Round Face Receptacle	INX3171		INX3172				
Two Semi-Oval Face Receptacles	INX3164		INX3165				