



## FEATURES

- ▼ 10 Amp 250v AC or DC receptacles.
- ▼ Corrosion resistant enclosures in heavy wall cast brass.
- ▼ Chrome plated.
- ▼ Surface or flush mounted units.
- ▼ 5 year warranty.

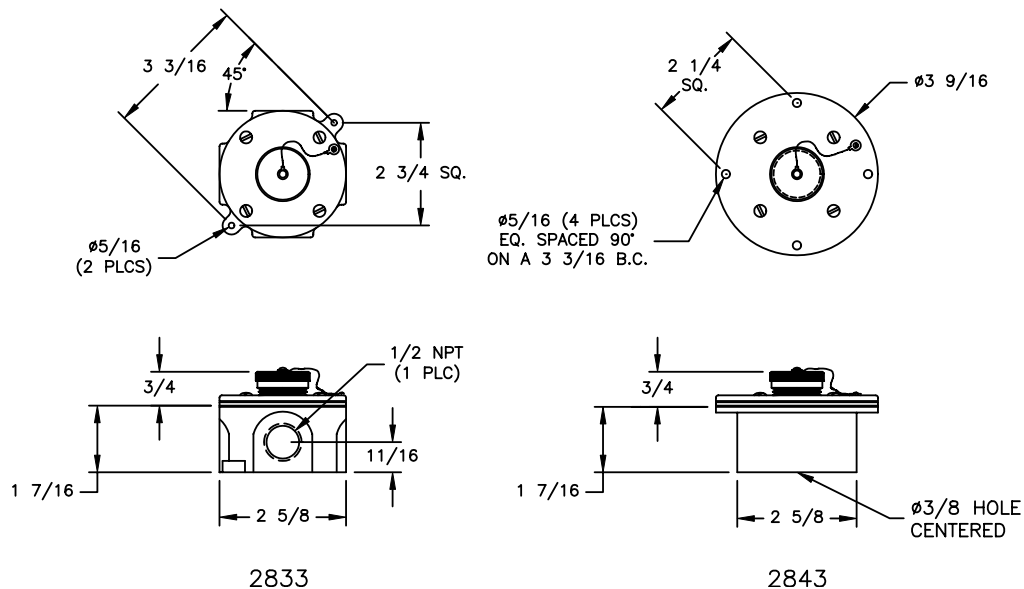
## APPROVALS

- ▼ ABS
- ▼ Type 4X
- ▼ Conforms to IP 66

## APPLICATIONS

- ▼ Marine and wet environments
- ▼ Offshore oil and gas platforms
- ▼ Drill ships and exploration vessels
- ▼ Tankers

## DIMENSIONS



# MARINE, OUTSIDE AND CORROSIVE ENVIRONMENTS TELEPHONE JACK INTERMEDIATE RECEPTACLES AND PLUGS



## TECHNICAL SPECIFICATION

### HOUSING

Heavy wall cast brass with a chrome plated finish. Units with a natural bronze finish are available as an option, contact factory for information.

### HARDWARE

Stainless steel.

### RECEPTACLES

The three wire triangular blade type units are polarized ensuring the corresponding plug can only be inserted one way.

### VOLTAGE OPERATION

Rated for operation on 10 Amp 250v max AC or DC.

### MOUNTING

Units are mounted using  $\frac{5}{16}$ "  $\varnothing$  mounting holes.

### OUTLETS

The surface mount unit is supplied with one  $\frac{1}{2}$ " NPT outlet. The flush model is supplied with a  $\frac{3}{8}$ " clearance hole but can be supplied drilled with up to two  $\frac{1}{2}$ " NPT outlets.

## ORDERING REFERENCES

### RECEPTACLES AND PLUGS

DESCRIPTION	WEIGHT (lbs)	CHROME PLATED BRASS
Surface Mount Box Receptacles	1.3	2833
Flush Mount Box Receptacles	1.3	2843
Plug	0.3	443

### SPARE PARTS

COVERS		BOXES		GASKET FOR CAP	GKT6013
Surface Mount	INX6545A	Surface Mount	INX6028A	CAP	INX8011
Flush Mount	INX6546A	Flush Mount	INX6029A		
GASKET		INTERIOR			
Surface Mount	GKT2004	Receptacle	INX3033		
Flush Mount	GKT2022	Plug	INX3112		

© Copyright 2004. Not to be reproduced without express permission of Pauluhn Electric Manufacturing, L.L.P.