



APPROVALS

- ▼ ABS
- ▼ Conforms to IP 66

FEATURES

- ▼ Non Metallic corrosion resistant enclosures.
- ▼ Water tight, wet locations.
- ▼ High impact resistant.
- ▼ Rated 20A 300VAC Max.
- ▼ All hardware is stainless steel.
- ▼ Designed for field installation:
 - The in-line connector is ready to wire and includes a plug.
 - The double gang receptacle's wiring is cut to size and stripped.
- ▼ Captive gasket on cover ensures water tight seal and easy assembly in the field.
- ▼ Available in single or double gang types.
- ▼ Beam clamp mounting.
- ▼ Compatible with existing brands.
- ▼ Complete Range:
 - 2P3W
 - 3P4W
 - In-Line
- ▼ 5 year warranty.

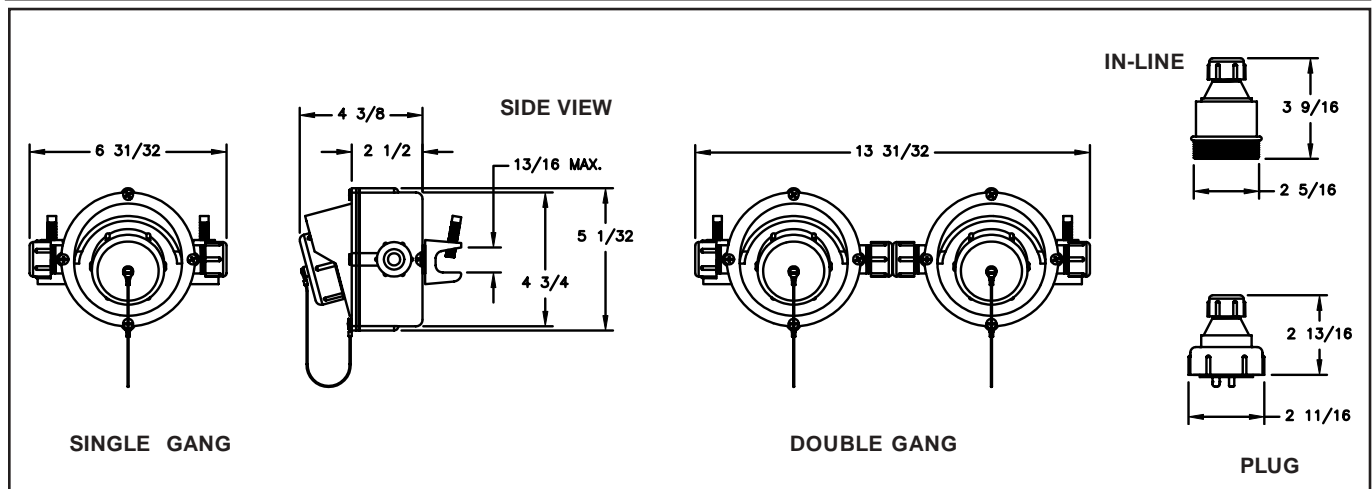
APPLICATIONS

- ▼ Land Based/Offshore Drilling
- ▼ Industrial Wet Locations
- ▼ Marine Environments

MARINE OUTSIDE AND CORROSIVE ENVIRONMENTS NON METALLIC PLUGS AND RECEPTACLES



DIMENSIONS



Dimensions in inches

TECHNICAL SPECIFICATION

HOUSING

6/6 Nylon Black enclosure with retained socket cap.

VOLTAGE OPERATION

Rated for operations up to 300VAC Max 20A

HARDWARE

Stainless Steel

MOUNTING

Flexible mounting and positioning via two adjustable beam clamps.

OUTLETS

Suitable for cable .375" to .625"

ORDERING REFERENCES

MARINE WATERTIGHT NON METALLIC RECEPTACLES AND PLUGS

DESCRIPTION		WEIGHT (lbs)	Part Number
Single Receptacle	20A 2P3W	1.5	2913BC
Single Receptacle	20A-3P4W	1.5	2914BC
Double Receptacle	20A 2P3W	2.4	2923BC
Double Receptacle	20A 3P4W	2.4	2924BC
Inline Connector with Plug	20A 2P3W	0.2	432FC
Inline Connector with Plug	20A 3P4W	0.2	433FC
Plug	20A 2P3W	0.2	432PP
Plug	20A 3P4W	0.2	433PP

