



## FEATURES

- ▼ Corrosion resistant enclosures in heavy wall cast brass or copper-free marine-grade cast aluminum.
- ▼ Supplied in 20 Amp 125v as standard for both units. 2P3W units can also be supplied in 250v, 277v or 480v while 3P4W units can be supplied in 208v, 250v, 480v or 600v.
- ▼ Both units can be supplied in reverse service.
- ▼ 5 year warranty.

## APPROVALS

- ▼ ABS
- ▼ Type 4X
- ▼ Conforms to IP 66

## APPLICATIONS

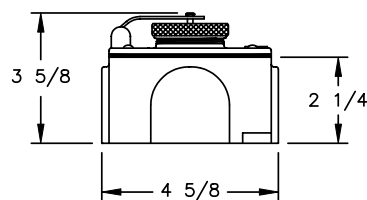
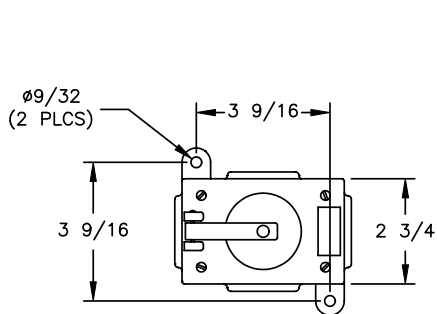
- ▼ Marine and wet environments
- ▼ Offshore oil and gas platforms
- ▼ Drill ships and exploration vessels
- ▼ Tankers

## OPTIONS

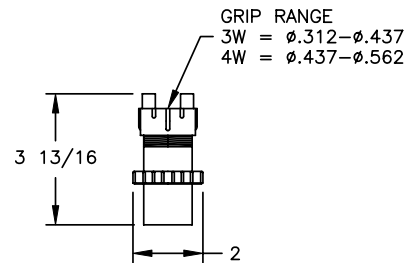
To obtain a fixture with one of the following options listed below add the following suffix (not all options can be combined):

- |                              |                     |
|------------------------------|---------------------|
| ▼ 208v (3P4W unit only)      | -208 (Replace -125) |
| ▼ 250v unit                  | -250 (Replace -125) |
| ▼ 277v (2P3W unit only)      | -277 (Replace -125) |
| ▼ 480v unit                  | -480 (Replace -125) |
| ▼ 600v unit (3P4W unit only) | -600 (Replace -125) |
| ▼ Reverse Service            | RS                  |

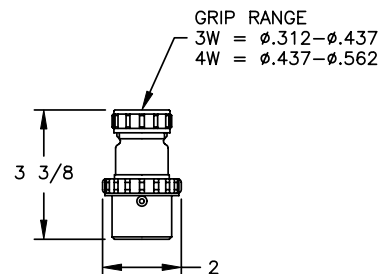
## DIMENSIONS



3100B-125/3101B-125



420PP-125/420-4PP-125



420BP-125/420-4BP-125

# MARINE, OUTSIDE AND CORROSIVE ENVIRONMENTS WATERTIGHT 20 AMP RECEPTACLES AND PLUGS



## TECHNICAL SPECIFICATION

### HOUSING

Heavy wall cast brass or copper-free marine-grade cast aluminum with a natural finish.

### HARDWARE

Stainless steel.

### OUTLETS

All units are supplied blank as standard but are suitable for supply with up to four 1" NPT outlets. Please state requirements on application.

### VOLTAGE OPERATION

Standard units are supplied for operation on 20 Amp 125v. 2P3W units are also available for operation on 250v, 277v or 480v as options. 3P4W units are additionally available for operation on 208v, 250v, 480v or 600v.

### MOUNTING

Units are mounted using two  $\frac{9}{32}$ "  $\varnothing$  mounting holes.

## ORDERING REFERENCES

### MARINE WATERTIGHT RECEPTACLES AND PLUGS

DESCRIPTION	BRASS WT (lbs)	BRASS (B) TYPE 2P3W	ALUMINUM (A) TYPE 2P3W	BRASS (B) TYPE 3P4W	ALUMINUM (A) TYPE 3P4W
Single Receptacle	4.3	3100B-125	3100A-125	3101B-125	3101A-125
Metal Plug	0.8	420BP-125	420-4AP-125	420-4BP-125	420-4AP-125
Plastic Plug	0.4	420PP-125	420PP-125	420-4PP-125	420-4PP-125

## SPARE PARTS

2P3W INTERIORS		3P4W INTERIORS		COVERS	
Receptacle	INX3022-125	Receptacle	INX3023-125	Brass	INX6550B
Metal Plug	INX3143-125	Metal Plug	INX3147-125	Aluminum	INX6550A
Plastic Plug	INX3103-125	Plastic Plug	INX3105-125		
GASKET		BOXES		ADAPTERS	
	GKT6094	Brass	INX6030B	2P3W 125v to 5-20R	INX3242PR-125
CAPS		Aluminum	INX6030A	2P3W 250v to 6-20R	INX3242PR-250
Brass	INX8013B				
Aluminum	INX8013A				