



FEATURES

- ▼ Angle type or straight type 30 Amp 2P3W and 3P4W receptacles.
- ▼ Corrosion resistant enclosures in heavy wall cast brass or copper-free marine-grade cast aluminum.
- ▼ Units supplied in 125v AC as standard. Other voltage options available in 250v, 277v, 380v, 480v and 600v.
- ▼ Reverse service units available as an option.
- ▼ Units are round pin.
- ▼ 5 year warranty.

APPROVALS

- ▼ ABS
- ▼ Type 4X
- ▼ Conforms to IP 66

APPLICATIONS

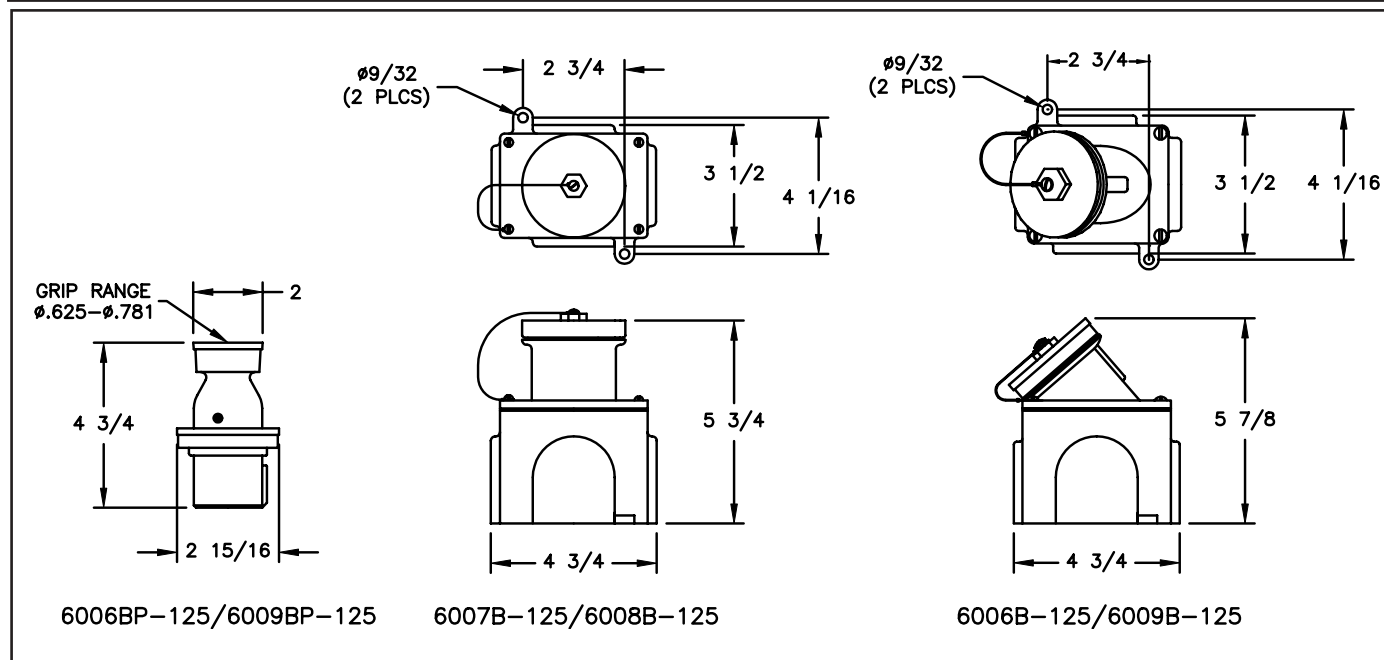
- ▼ Marine and wet environments
- ▼ Offshore oil and gas platforms
- ▼ Drill ships and exploration vessels
- ▼ Tankers
- ▼ Salvage/recovery vessels
- ▼ Construction yards

OPTIONS

To obtain a fixture with one of the following options listed below add the following suffix (not all options can be combined):

- | | |
|-------------------|----------------------------|
| ▼ 250v units | -250 (Replace -125 suffix) |
| ▼ 277v units | -277 (Replace -125 suffix) |
| ▼ 380v units | -380 (Replace -125 suffix) |
| ▼ 480v units | -480 (Replace -125 suffix) |
| ▼ 600v units | -600 (Replace -125 suffix) |
| ▼ Reverse Service | RS |

DIMENSIONS



Dimensions in inches

MARINE, OUTSIDE AND CORROSIVE ENVIRONMENTS WATERTIGHT 30 AMP RECEPTACLES AND PLUGS



TECHNICAL SPECIFICATION

HOUSING

Heavy wall cast brass or copper-free marine-grade cast aluminum with a natural finish.

HARDWARE

Stainless steel.

MOUNTING

Units are mounted using two $\frac{9}{32}$ " \varnothing mounting holes.

VOLTAGE OPERATION

Standard units supplied in 30 Amp 120v AC. Options available in 250v, 277v, 380v, 480v and 600v AC.

RECEPTACLES

Reverse service units also available as an option.

OUTLETS

All units are furnished blank but can be supplied with up to four 1" NPT outlets. Please state requirements on application.

ORDERING REFERENCES

MARINE WATERTIGHT RECEPTACLES AND PLUGS

DESCRIPTION	BRASS WT (lbs)	BRASS (B) TYPE 2P3W	ALUMINUM (A) TYPE 2P3W	BRASS (B) TYPE 3P4W	ALUMINUM (A) TYPE 3P4W
Angle Type Receptacle	7.8	6009B-125	6009A-125	6006B-125	6006A-125
Straight Type Receptacle	7.8	6007BP-125	6007A-125	6008B-125	6008A-125
Plug	2.8	6009BP-125	6009AP-125	6006BP-125	6006AP-125

SPARE PARTS

INTERIORS		RECEPTACLE CAPS		COVER GASKET
2P3W Receptacle	INX3043	Brass	INX8014B	GKT4005
3P4W Receptacle	INX3057	Aluminum	INX8014A	
2P3W Plug	INX3073			
3P4W Plug	INX3074			