



## FEATURES

- ▼ Choice of corrosion resistant enclosures in heavy wall cast brass or copper-free marine-grade cast aluminum.
- ▼ Stainless steel hardware.
- ▼ Supplied in 20 Amp 120/240v AC, 1 HP at 120v AC or 2 HP at 240v AC. Rotary or 10 Amp 250v, 20 Amp 125v, 1 1/2 HP toggle type switch.
- ▼ Round or Square box types in surface or flush mounting.
- ▼ Double pole switches supplied as standard.
- ▼ 5 year warranty.

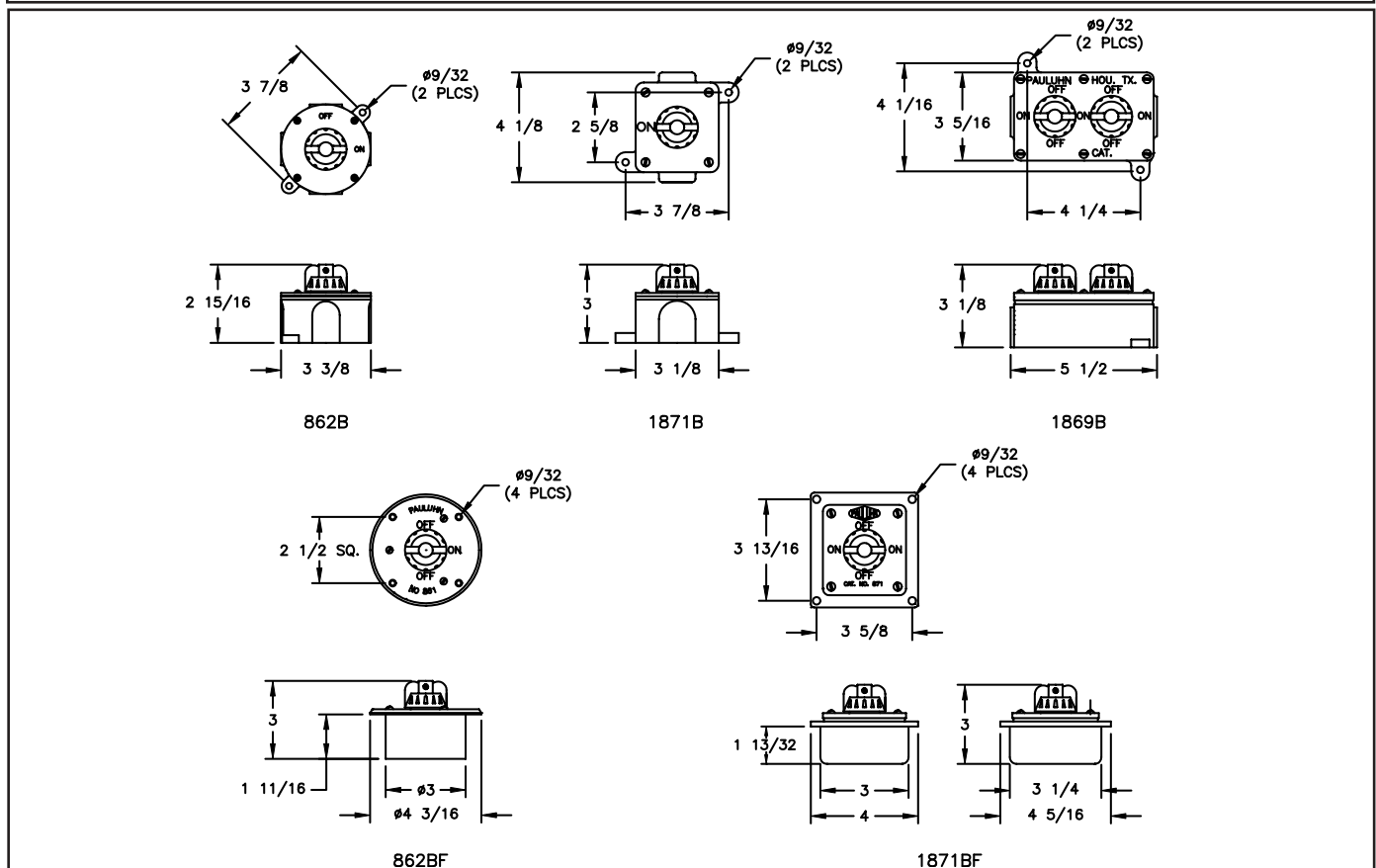
## APPROVALS

- ▼ ABS
- ▼ Type 4X
- ▼ Conforms to IP

## APPLICATIONS

- ▼ Marine and wet environments
- ▼ Offshore oil and gas platforms
- ▼ Drill ships and exploration vessels
- ▼ Tankers
- ▼ Ferries/Passenger Ships

## DIMENSIONS



Dimensions in inches

# MARINE, OUTSIDE AND CORROSIVE ENVIRONMENTS WATERTIGHT ROTARY SWITCH BOXES



## TECHNICAL SPECIFICATION

### HOUSINGS

Heavy wall cast brass or copper-free marine-grade cast aluminum with a natural finish.

### HARDWARE

Stainless steel for all types.

### OUTLETS

All units are furnished blank. Square box units can be supplied with up to two 3/4" NPT entries while round box types can be supplied with up to four 3/4" NPT entries.

### VOLTAGE OPERATION

20 Amp 120/240v AC, 1 HP at 120v AC or 2 HP at 240v AC. For rotary type switches or 10 Amp 250v, 20 Amp 125v 1 1/2 HP toggle type switch.

## ORDERING REFERENCES

### MARINE WATERTIGHT ROTARY SWITCH BOXES

DESCRIPTION	BRASS WT (lbs)	ROTARY BRASS TYPE (B)	ROTARY ALUMINUM TYPE (A)	TOGGLE BRASS TYPE (B)	TOGGLE ALUMINUM TYPE (A)
Surface Mount Round Box	2.1	862B	862A	862BH	862AH
Surface Mount Square Box	3.2	1871B	1871A	1871BH	1871AH
Surface Mount Two Gang Box	4.5	1869B	1869A	1869BH	1869AH
Flush Mount Round Box	3.0	862BF	862AF	862BFH	862AFH
Flush Mount Square Box	4.0	1871BF	1871AF	1871BFH	1871AFH

### SPARE PARTS

ROTARY COVERS	BRASS (B)	ALUMINUM (A)	SWITCHES
Surface Mount Round Box	INX6509B	INX6509A	Double Pole Rotary INX3192 Toggle Type INX3016
Surface Mount Square Box	INX6510B	INX6510A	<b>KNOB AND SHAFT ASSEMBLY FOR ROTARY TYPE</b> Brass INX8002B Aluminum INX8002A Boot for Toggle INHL0003
Surface Mount Two Gang Box	INX6511B	INX6511A	
Flush Mount Round Box	INX6512B	INX6512A	<b>GASKETS - For All</b> Surface Mount Round Box GKT3001 Surface Mount Square Box GKT4000 Surface Mount Two Gang Box GKT5001 Flush Mount Round Box GKT2007 Flush Mount Square Box GKT4000
Flush Mount Square Box	INX6510B	INX6510A	
<b>TOGGLE TYPE COVERS</b>	<b>BRASS (B)</b>	<b>ALUMINUM (A)</b>	
Surface Mount Round Box	INX6531B	INX6531A	
Surface Mount Square Box	INX6510BH	INX6510AH	
Surface Mount Two Gang Box	INX6511BH	INX6511AH	
Flush Mount Round Box	INX6509BH	INX6509AH	
Flush Mount Square Box	INX6510BH	INX6510AH	
<b>BOXES for All Types</b>	<b>BRASS (B)</b>	<b>ALUMINUM (A)</b>	
Surface Mount Round Box	INX6001B	INX6001A	
Surface Mount Square Box	INX6002B	INX6002A	
Surface Mount Two Gang Box	INX6003B	INX6003A	
Flush Mount Round Box	INX6004B	INX6004A	
Flush Mount Square Box	INX6005B	INX6005A	