



FEATURES

- ▼ Receptacles are rated for operation on 125v AC. Units are rated for operation on 250v AC as an option.
- ▼ Corrosion resistant enclosures in heavy wall cast brass or copper-free marine-grade cast aluminum.
- ▼ Internal activation switch is rated at 20 Amp 2 H.P. at 115-575v AC 2 and 3 phase.
- ▼ Unique design has no levers and only one moving part increasing reliability of operation and corrosion resistance.
- ▼ Built in safety feature ensures the plug can only be inserted into the receptacle while the unit is switched off and can not be removed while the unit is energized.
- ▼ Available in 2P3W and 3P4W types.
- ▼ 5 year warranty.

APPROVALS

- ▼ UL 1010
- ▼ Class I Division 1 Groups C & D
- ▼ Class II Division 1 Groups F & G
- ▼ ABS
- ▼ Conforms to IP 66

APPLICATIONS

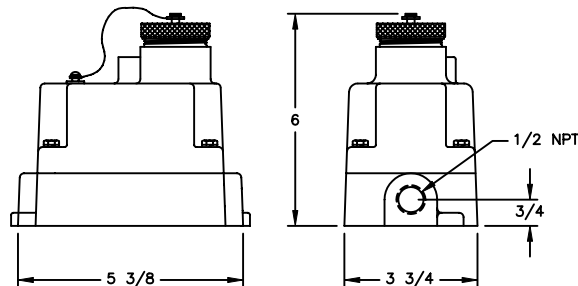
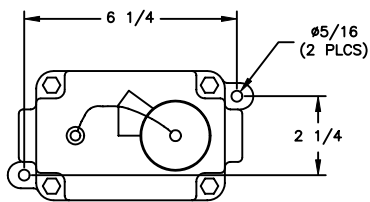
- ▼ Marine environments
- ▼ Offshore oil and gas platforms
- ▼ Drill ships and exploration vessels
- ▼ Tankers
- ▼ Drilling Rigs
- ▼ Petrochemical Plants/Refineries

OPTIONS

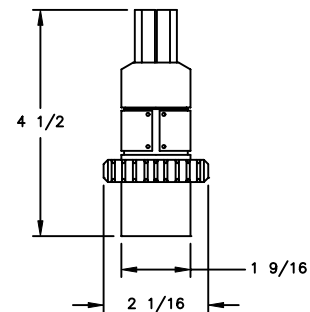
To obtain a fixture with one of the following options listed add the following suffix (not all options can be combined):

- ▼ 250v -250 (replace-125 suffix)

DIMENSIONS



EPCS2400B-125



EP3610B-125

EXPLOSION PROOF CLASS I DIVISION 1 INTERLOCKING PLUGS AND RECEPTACLES



TECHNICAL SPECIFICATION

HOUSING

Heavy natural wall cast bronze or natural copper-free marine-grade cast aluminum.

HARDWARE

Stainless steel.

MOUNTING

Units are mounted using two $\frac{5}{16}$ " \varnothing mounting holes.

OUTLETS

All units are supplied with one $\frac{1}{2}$ " NPT entry as standard. The units can be supplied with up to two $\frac{3}{4}$ " NPT entries. Please state requirements on application.

SWITCHES

Internal activation switch is rated for operation on 20 Amp 2 HP at 115-575v AC, 2 and 3 phase.

RECEPTACLES

Rated for operation on 125v AC as standard. A 250v AC unit is available as an option. No levers and only one moving part helps ensure increased reliability and resistance to corrosion. Added safety feature ensures the plug can not be removed while the unit is energized and can only be inserted while the unit is switched off.

ORDERING REFERENCES

EXPLOSION PROOF INTERLOCKING PLUGS AND RECEPTACLES

DESCRIPTION	BRASS TYPE (B)	BRASS WEIGHT (lbs)	ALUMINUM TYPE (A)	ALUMINUM WEIGHT (lbs)
2 Pole 3 Wire Receptacle	EPCS2400B-125	17.5	EPCS2400A-125	7.0
3 Pole 4 Wire Receptacle	EPCS2401B-125	17.5	EPCS2401A-125	7.0
2 Pole 3 Wire Plug	EP3610B-125	2.0	EP3610A-125	2.0
3 Pole 4 Wire Plug	EP3611B-125	2.0	EP3611A-125	2.0

SPARE PARTS

BOXES		RECEPTACLE INTERIORS		
		125v	250v	
Brass	INX6109B	INX3219-125	INX3619-250	
Aluminum	INX6109A	INX3217-125	INX3217-250	
SWITCH	INX3216			
CAP		PLUG INTERIORS		
		125v	250v	
Brass	INX8070B	INX3143-125	INX3143-250	
Aluminum	INX8070A	INX3147-125	INX3147-250	

