



FEATURES

- ▼ All types have provision to lock switch into both the ON or OFF position.
- ▼ Corrosion resistant enclosures in heavy wall cast brass or copper-free marine-grade cast aluminum.
- ▼ Available in 20 Amp single pole, double pole, three way and four way units and 20 Amp and 30 Amp SPDT and DPDT models.
- ▼ All units suitable for operation on 120-277v AC.
- ▼ 5 year warranty.

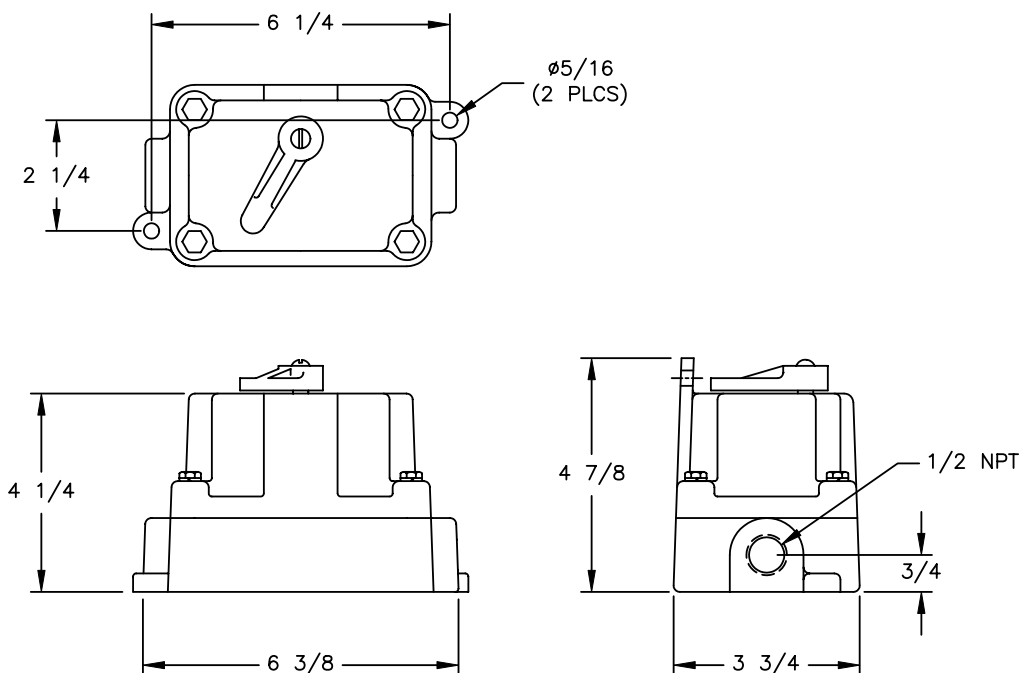
APPROVALS

- ▼ UL 894 - Switches for Use in Hazardous Locations
- ▼ Class I Division 1 Groups C & D
- ▼ Class II Division 1 Groups E, F & G
- ▼ ABS
- ▼ Conforms to IP 65

APPLICATIONS

- ▼ Hazardous locations
- ▼ Offshore oil and gas platforms
- ▼ Drill ships and exploration vessels
- ▼ Tankers
- ▼ Salvage/recovery vessels
- ▼ Petrochemical plants/Refineries

DIMENSIONS



EXPLOSION PROOF CLASS I DIVISION 1 LOCKING SWITCHES



TECHNICAL SPECIFICATION

HOUSING

Heavy wall cast brass or copper-free marine-grade cast aluminum in a natural finish.

HARDWARE

Stainless steel.

MOUNTING

Units are mounted using two $\frac{5}{16}$ " \varnothing mounting holes.

SWITCHES

Available for locking in ON or OFF position using any standard padlock.

VOLTAGE OPERATION

120-277v AC for all units regardless of 20 Amp or 30 Amp rating.

OUTLETS

All units are furnished with one $\frac{1}{2}$ " NPT as standard. They can be supplied with up to two $\frac{3}{4}$ " NPT entries. Please state requirements on application.

ORDERING REFERENCES

EXPLOSION PROOF SWITCHES

DESCRIPTION	BRASS (B)	BRASS WT (lbs)	ALUMINUM (A)	ALUMINUM WEIGHT (lbs)
Single Pole 20 Amp	EPCS2211B	12.5	EPCS2211A	4.5
Double Pole 20 Amp	EPCS2212B	12.5	EPCS2212A	4.5
Double Pole 30 Amp	EPCS2212B-30	12.5	EPCS2212A-30	4.5
Three Way 20 Amp	EPCS2214B	12.5	EPCS2214A	4.5
Four Way 20 Amp	EPCS2215B	12.5	EPCS2215A	4.5
SPDT (ON) 30 Amp	EPCS2216B	12.5	EPCS2216A	4.5
SPDT (ON/OFF/ON) 20 Amp	EPCS2217B	12.5	EPCS2217A	4.5
DPDT (ON/OFF/ON) 20 Amp	EPCS2218B	12.5	EPCS2218A	4.5
DPDT (ON) 30 Amp	EPCS2219B	12.5	EPCS2219A	4.5

SPARE PARTS

STANDARD SWITCHES		HANDLES	
Single Pole 20 Amp 120-277v AC	INX3025	Brass	INX8084B
Double Pole 20 Amp 120-277v AC	INX3038	Aluminum	INX8084A
Double Pole 30 Amp 120-277v AC	INX3008	BOXES	
Three Way 20 Amp 120-277v AC	INX3041	Brass	INX6109B
Four Way 20 Amp 120-277v AC	INX3202	Aluminum	INX6109A
TWO CIRCUIT, CENTER OFF SWITCHES		"O" RING	
SPDT 20 Amp 120-277v AC	INX3247	GKT1041	
DPDT 20 Amp 120-277v AC	INX3292		
TWO CIRCUIT, NO CENTER OFF SWITCHES			
SPDT 30 Amp 120-277v AC	INX3246		
DPDT 30 Amp 120-277v AC	INX3249		

