



FEATURES

- ▼ Surface mounted round or square fuse boxes.
- ▼ Choice of corrosion resistant enclosures in heavy wall cast brass or copper-free marine-grade cast aluminum.
- ▼ Gasketed covers maintain watertight integrity.
- ▼ Stainless steel hardware provides long term accessibility to box interiors through corrosion resistance.
- ▼ 5 year warranty.

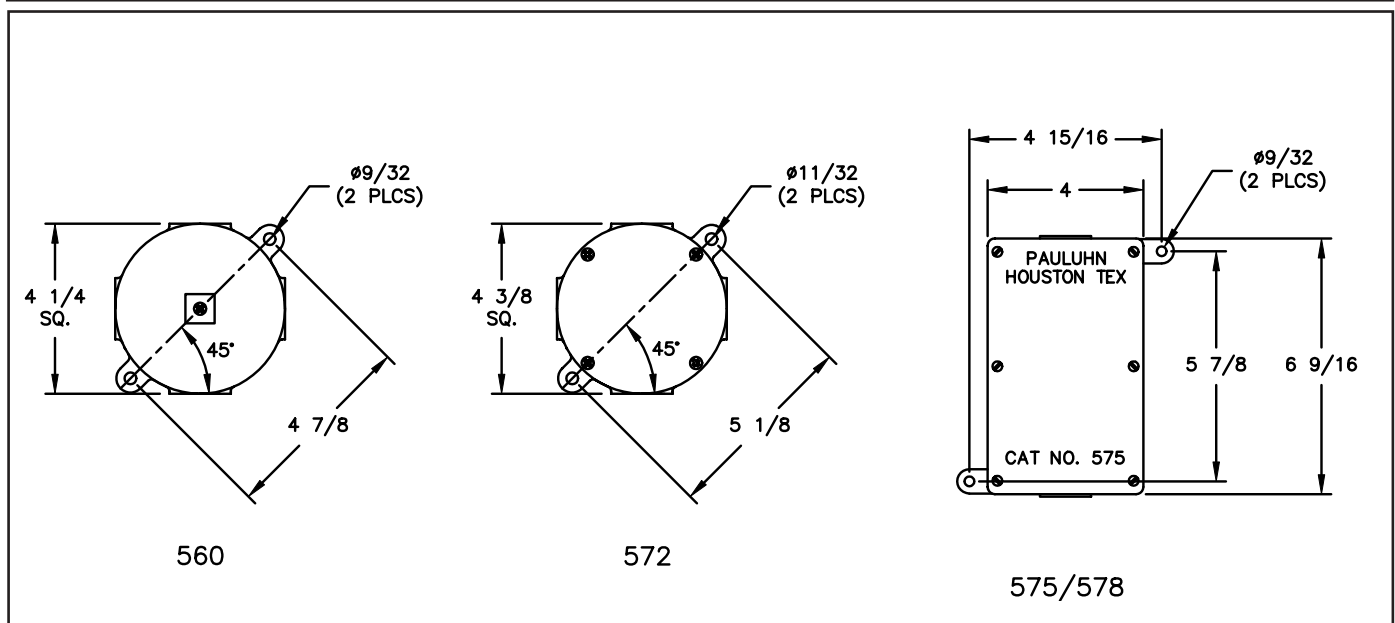
APPROVALS

- ▼ ABS
- ▼ Type 4X
- ▼ Conforms to IP 66

APPLICATIONS

- ▼ Marine and wet environments
- ▼ Offshore oil and gas platforms
- ▼ Drill ships and exploration vessels
- ▼ Tankers
- ▼ Ferries/Passenger Ships
- ▼ Refit and refurbishment projects
- ▼ Servicing and maintenance

DIMENSIONS



Dimensions in inches



MARINE, OUTSIDE AND CORROSIVE ENVIRONMENTS WATERTIGHT FUSE BOXES

TECHNICAL SPECIFICATION

HOUSING

Heavy wall cast brass or copper-free marine-grade cast aluminum with a natural finish.

HARDWARE

Stainless steel for all types.

OUTLETS

All units are furnished blank as standard. Units can be supplied in up to 1/2" NPT four way. Please state requirements on application.

FUSE BLOCKS

General purpose phenolic base UL listed fuse blocks are used. All units are supplied without fuses.

MOUNTING

All units are surface mounted via two or four external mounting holes dependent on type. 560 units are mounted via two (9/32" holes) and 572 units by two (11/32" holes), 575 and 578 units by two (9/32" holes) and 584 by four (25/64" holes).

VOLTAGE OPERATION

The 560, 572 and 578 units are rated for operation at 30 Amp on 130v AC and DC. The 575 units are rated for operation at 30 Amp on 250v AC or DC.

ORDERING REFERENCES

MARINE WATERTIGHT FUSE BOXES

DESCRIPTION	VOLTAGE RATING	BRASS WT (lbs)	BRASS TYPE (B)	ALUMINUM TYPE (A)
Round Fuse Box with 4" Ø x 2 3/8" Deep thread cover with 2 Pole Midget Fuse Block	30 Amp 130v AC or DC	3.8	560B	560A
Round Fuse Box with 4" Ø x 2" Deep with 2 Pole Midget Fuse Block	30 Amp 130v AC or DC	3.8	572B	572A
Square Fuse Box with 6 1/4" x 4" x 2" Deep with 2 Pole Class H Fuse Block	30 Amp 250v AC or DC	6.0	575B	575A
Square Fuse Box with 6 1/4" x 4" x 2" Deep with 3-2 Pole Midget Fuse Blocks	30 Amp 130v AC or DC	6.3	578B	578A

SPARE PARTS

FUSE BLOCKS		COVER GASKETS	
560	INX3082	560	GKT6015
572	INX3082	572	GKT3000SIL
575	INX3081	575	GKT5057
578	INX3082	578	GKT5057