



## FEATURES

- ▼ Surface mounted round, square or angular terminal boxes.
- ▼ Choice of corrosion resistant enclosures in heavy wall cast brass or copper-free marine-grade cast aluminum.
- ▼ Gasketed covers maintain watertight integrity.
- ▼ Corrosion resistant stainless steel hardware provides long term accessibility to box interiors.
- ▼ Screw lug 18-10 AWG terminal blocks.
- ▼ 5 year warranty.

## APPROVALS

- ▼ ABS
- ▼ Type 4X
- ▼ Conforms to IP 66

## APPLICATIONS

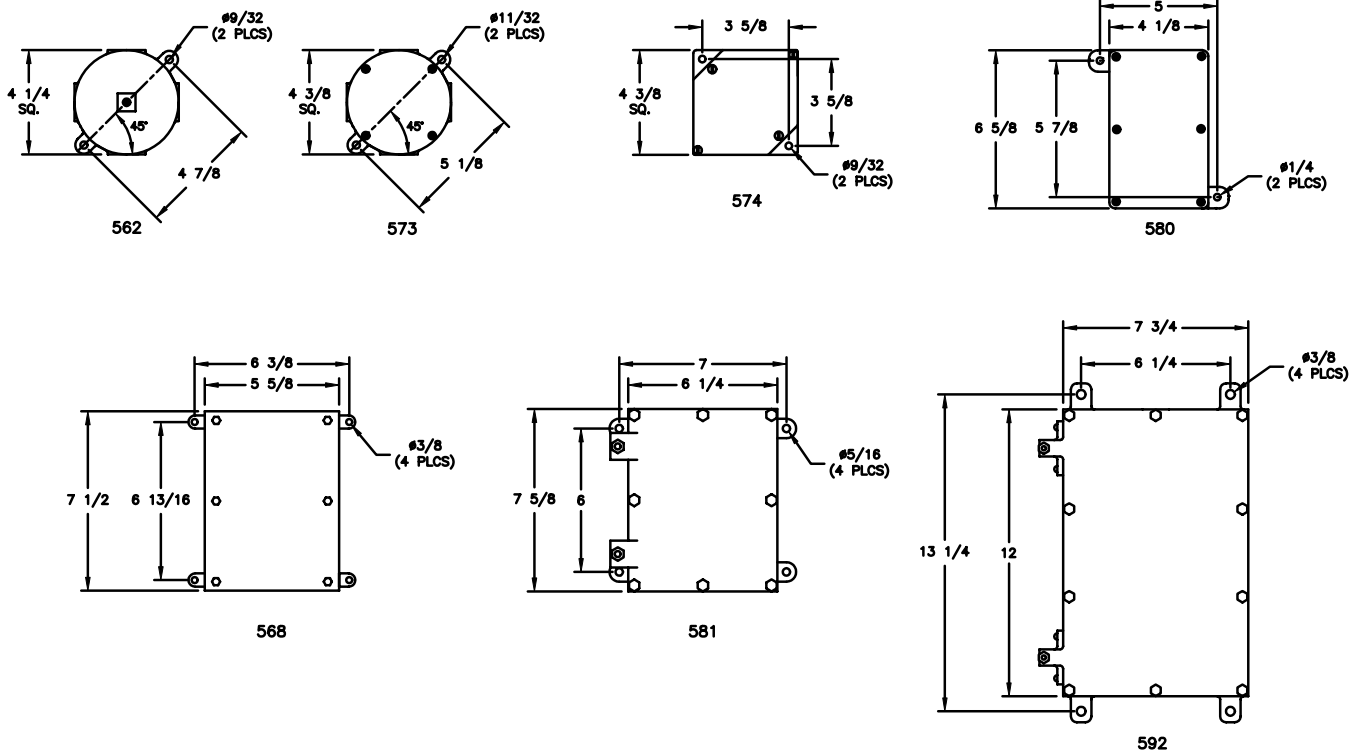
- ▼ Marine and wet environments
- ▼ Offshore oil and gas platforms
- ▼ Drill ships and exploration vessels
- ▼ Tankers
- ▼ Ferries/Passenger Ships

## OPTIONS

To obtain a fixture with one of the following options listed below add the following suffix:

- ▼ Internal Mounting Plate IMP

## DIMENSIONS



# MARINE, OUTSIDE AND CORROSIVE ENVIRONMENTS WATERTIGHT TERMINAL BOXES



## TECHNICAL SPECIFICATION

### HOUSING

Heavy wall cast brass or copper-free marine-grade cast aluminum with a natural finish.

### HARDWARE

Stainless steel for all types.

### OUTLETS

All units are furnished blank as standard. Units can be supplied drilled and tapped on request. Please state requirement on application and refer to ordering references below for guidance on max outlet sizes.

### MOUNTING

All units are surface mounted via two or four external mounting holes. The 568, 581 and 592 types are mounted by four (1<sup>1/32</sup>" ) holes, the other units by two Ø 9/32" holes.

### INTERNAL MOUNTING PLATE OPTION

A mounting plate which can be added to the interior is optional. This plate helps facilitate the mounting of terminal blocks, fuses or other electrical components within the enclosure.

### RATINGS

The 581T26, 592T52, 573, 574T4 and 580 units are all rated at 20 Amp while the 569, 581T20, 592T40, 562 and 574T6 are all rated at 30 Amp.

## ORDERING REFERENCES

### MARINE WATERTIGHT TERMINAL BOXES

DESCRIPTION	RATING	BRASS WT (lbs)	MAX NPT OUTLET SIZE	BRASS TYPE (B)	ALUMINUM TYPE (A)
Junction Box	N/A	16.5	1 1/2"	581B	581A
Junction Box	N/A	25.8	1 1/2"	592B	592A
10 Pole Terminal Box	30 Amp	12.0	1 1/4"	568T10	568AT10
20 Pole Terminal Box with Hinged Cover	30 Amp	18.3	1 1/2"	581T20	581AT20
26 Pole Terminal Box with Hinged Cover	20 Amp	18.3	1 1/2"	581T26	581AT26
40 Pole Terminal Box with Hinged Cover	30 Amp	27.0	1 1/2"	592T40	592AT40
52 Pole Terminal Box with Hinged Cover	20 Amp	27.3	1 1/2"	592T52	592AT52
Round Terminal Box 4" Ø x 2 3/8" Deep with Threaded cover & 6 Pole Terminal Block	30 Amp	3.5	1"	562	562A
Round Terminal Box 4" Ø x 2" Deep with 4 Pole Terminal Block	20 Amp	3.5	1"	573	573A
Square Terminal Box 6 1/4" x 4 x 2" Deep with 3-4 Pole Terminal Block	20 Amp	5.8	1"	580	580A
Angular Terminal Box 4 3/8" x 4 3/8" x 2 3/16" Box with Cover, Gasket and 4 Pole Terminal Block	20 Amp	4.3	1"	574T4	574AT4
Angular Terminal Box 4 3/8" x 4 3/8" x 2 3/16" Box with Cover, Gasket and 6 Pole Terminal Block	30 Amp	4.3	1"	574T6	574AT6

## SPARE PARTS

TERMINAL BLOCKS		GASKETS	
581B/581A	N/A	581B/581A	GKT5000
592B/592A	N/A	592B/592A	GKT5010
568T10/568AT10	INX3079	568T10/568AT10	GKT5004
581T20/581AT20	INX3079	581T20/581AT20	GKT5000
581T26/581AT26	INX3078	581T26/581AT26	GKT5000
592T40/592AT40	INX3079	592T40/592AT40	GKT5010
592T52/592AT52	INX3078	592T52/592AT52	GKT5010
562/562A	CX3076	562/562A	GKT6015
573/573A	CX3070	573/573A	GKT3000SIL
580/580A	CX3070	580/580A	GKT5003
574T4/574AT4	CX3070	574T4/574AT4	GKT4002
574T6/574AT6	CX3076	574T6/574AT6	GKT4002

