



FEATURES

- ▼ Corrosion resistant enclosures in heavy wall cast brass or copper-free marine-grade cast aluminum.
- ▼ For locations where flammable gases are usually present.
- ▼ Range of conduit hub sizes in 1/2", 3/4" or 1" NPT
- ▼ Choice of one, two, three or four conduit opening configurations.
- ▼ 5 year warranty.

APPROVALS

- ▼ UL 886 - Outlet Boxes F/Hazardous Locations
- ▼ Class I Division 1 Groups C & D
- ▼ Class II Division 1 Groups E, F & G
- ▼ Type 4X
- ▼ ABS
- ▼ Conforms to IP 66

APPLICATIONS

- ▼ Hazardous locations
- ▼ Marine and wet environments
- ▼ Offshore oil and gas platforms
- ▼ Drill ships and exploration vessels
- ▼ Tankers
- ▼ Petrochemical Plants/Refineries

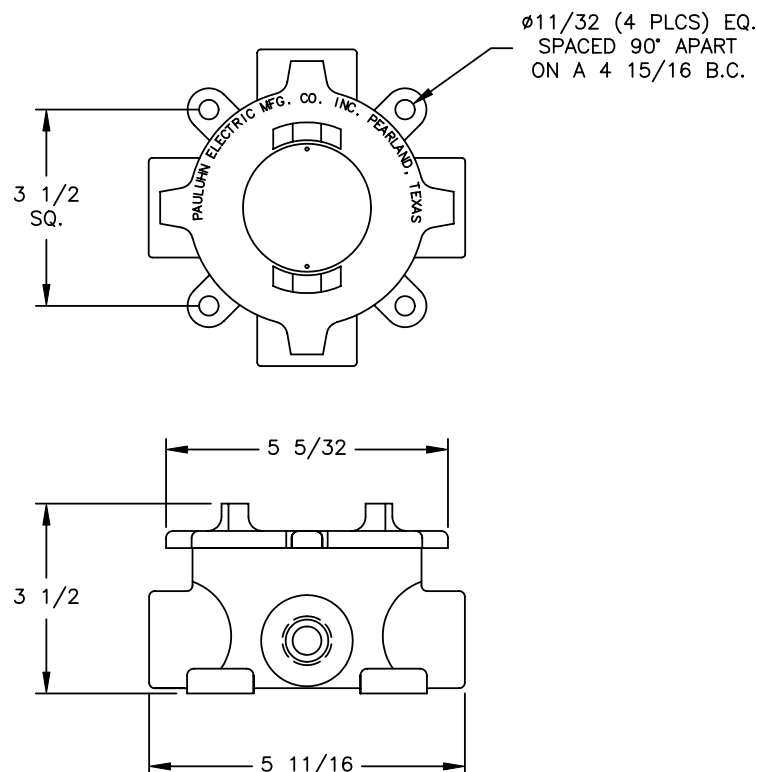
OPTIONS

To obtain a fixture with one of the following options listed below add the following suffix:

- ▼ 4 Pole 20 Amp Terminal Block

T4

DIMENSIONS





EXPLOSION PROOF CLASS I DIVISION 1 SCREW COVER JUNCTION BOX

TECHNICAL SPECIFICATION

HOUSING

Heavy wall cast brass or copper-free marine-grade cast aluminum with a natural finish.

HARDWARE

Stainless steel.

CONDUIT OPENING SIZE AND CONFIGURATION

Can be supplied with one, two, three or four outlets. Two outlet units can be supplied with the outlets 180° or 90° apart. Hub sizes are available in 1/2", 3/4" or 1" NPT.

TERMINAL BLOCKS

Can be supplied with a four pole 20 Amp terminal block, if required.

MOUNTING

Surface mounted via four Ø 5/16" mounting holes.

GASKET

One continuous molded piece of high temperature neoprene gasket provides an effective seal between the cover and housing.

ORDERING REFERENCES

I. SERIES DESIGNATION	II. MATERIAL DESIGNATION	III. CONDUIT HUB SIZE	IV. CONDUIT OPENING CONFIGURATION	V. OPTIONAL SUFFIXES
EPJ505	A Aluminum	50 1/2" NPT	1 One conduit opening	T4 4 Pole 20 Amp Terminal block
	B Brass	75 3/4" NPT	2 Two conduit openings 180° apart	
		10 1" NPT	2L Two conduit openings 90° apart	
			3 Three conduit openings	
			4 Four conduit openings	

