

# INX1502/INX1506/INX1508

## MARINE, OUTSIDE AND CORROSIVE ENVIRONMENTS

### WATERTIGHT CABLE GLANDS

1-800-826-5890 USA  
1-888-675-5483 Canada  
www.pauluhn.com



### FEATURES

- ▼ Corrosion resistant glands in heavy wall cast brass or copper-free marine-grade aluminum.
- ▼ Hex nut arrangement gives added grip for easy tightening or loosening.
- ▼ Supplied complete with neoprene grommets.
- ▼ Designed to grip cable and create a watertight seal around the cable entrance into a junction box or bulkhead.
- ▼ 5 year warranty.

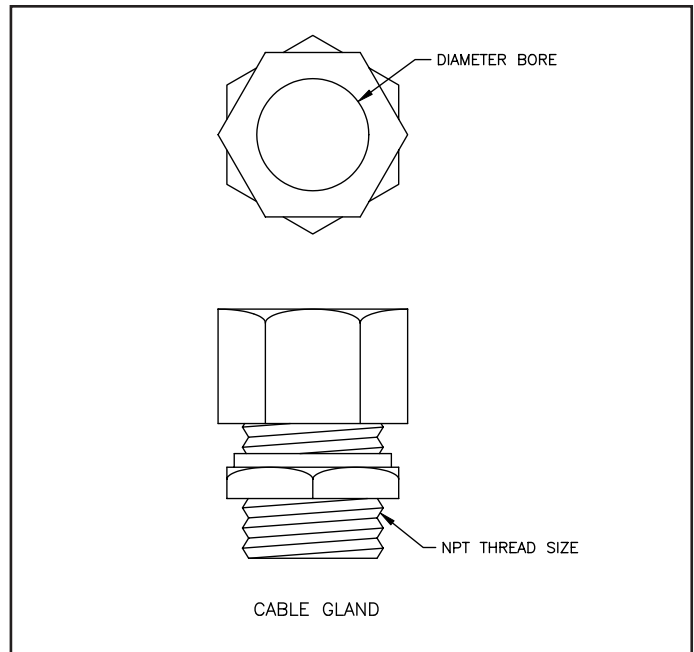
### APPROVALS

- ▼ ABS
- ▼ Type 4X
- ▼ Conforms to IP 66

### APPLICATIONS

- ▼ Marine and wet environments
- ▼ Offshore oil and gas platforms
- ▼ Drill ships and exploration vessels
- ▼ Portable cords
- ▼ MV unarmored cable
- ▼ PLTC (round)/TC Cable
- ▼ SE and UF cable

### DIMENSIONS



Dimensions in inches

### ORDERING REFERENCES

#### MARINE WATERTIGHT CABLE GLANDS

DESCRIPTION	NPT SIZE	GROMMET NO	ØBORE	GRIP RANGE	BRASS (B)	ALUMINUM (A)
Cable Gland	1/2"	GKT7018	.562	.312-.375	INX1502BCG	INX1502ACG
		GKT7019		.375-.437		
		GKT7020		.437-.500		
Cable Gland	3/4"	GKT7021	.750	.437-.562	INX1506BCG	INX1506ACG
		GKT7022		.562-.687		
		GKT7023		.687-.750		
Cable Gland	1"	GKT7024	1.00	.750-.875	INX1508BCG	INX1508ACG
		GKT7025		.812-.937		